



PARTS CATALOGUE

YZF-R1 (1KBT) EUROPE, SOUTH AFRICA

YZF-R1 (1KBU) EUROPE

YZF-R1
PARTS CATALOGUE
©2012 by Yamaha Motor Co., Ltd.
1st edition, August 2012
All rights reserved.
Any reprinting or unauthorized use
without the written permission of
Yamaha Motor Co., Ltd.
is expressly prohibited.
Printed in Japan.

FOREWORD

This Parts Catalogue is related to the parts for the model(s) on the cover page. When you are ordering replacement parts, please refer to this Parts Catalogue and quote both part numbers and part names correctly.

1. Modifications or additions which have been made after the issue of the Parts Catalogue will be announced in the Parts News.

It is advisable that you make the necessary corrections to the Parts Catalogue according to the Parts News.

2. Abbreviations

The following abbreviations are used in this Parts Catalogue.

“UR” Use specified parts number.

“UN” Use as many as needed.

“AP” Alternate Parts

“LM” Locally Made (Parts need to be ordered locally)

“F#” Frame No. (Applicable machine No.)

“O/S” Over Size

3. The number of components for assembly

- Parts, which are to be supplied in an assembly, are listed with a dot (.) in front of the part name as shown below.
- The numeral appearing to the right of each component part indicates the quantity of parts for each assembly unit.

| PART NO. | DESCRIPTION | Q'TY | REMARKS |
|--------------|--------------------------|------|---------|
| 2F5-83310-60 | FRONT FLASHER LIGHT ASSY | 2 | |
| 115-83311-60 | .BULB (6V-18W) | 1 | |

4. Applicable colours of graphics are represented in the “REMARKS” as shown below.

| PART NO. | DESCRIPTION | Q'TY | REMARKS |
|-----------------|---------------------|------|---------|
| 2N4-24110-00-X5 | FUEL TANK COMP. | 2 | MXR |
| 3J1-24240-10 | .GRAPHIC, FUEL TANK | 1 | FOR MXR |

5. Note that the illustrations for reference in finding parts numbers are not to be used for assembling. When assembling, please use the applicable service manual.

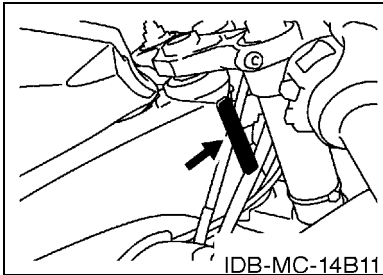
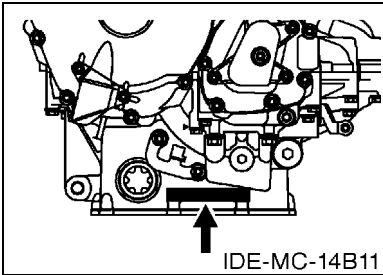
6. The asterisk (*) before a reference number indicates modified items after the first edition.

FOREWORD

7. Applicable Serial No.

Engine Serial No.

Frame Serial No.



8. Applicable Colour Code (The (*) mark shows Model colour.)

| Abbreviation | Colour Name | Colour Code |
|--------------|--------------------------------|-------------|
| BWC1(*) | BLUISH WHITE COCKTAIL 1 | 0390 |
| DPBM15 | DEEP PURPLISH BLUE METALLIC 15 | 1329 |
| DPBMC(*) | DEEP PURPLISH BLUE METALLIC C | 0564 |
| LGB | LOW GLOSS BLACK | 0098 |
| MBL2 | MAT BLACK 2 | 0582 |
| MNM3(*) | MAT GRAY METALLIC 3 | 1278 |
| NG | NEBURA GOLD | 008L |
| | | |
| | | |
| | | |

CONTENTS

ENGINE

| | |
|----------------------------|----|
| CYLINDER HEAD | 1 |
| CYLINDER | 3 |
| CRANKSHAFT & PISTON | 4 |
| VALVE | 5 |
| CAMSHAFT & CHAIN | 7 |
| WATER PUMP | 8 |
| RADIATOR & HOSE | 10 |
| OIL PUMP | 13 |
| OIL CLEANER | 14 |
| INTAKE | 15 |
| INTAKE 2 | 17 |
| AIR INDUCTION SYSTEM | 19 |
| EXHAUST | 20 |
| CRANKCASE | 23 |
| CRANKCASE COVER 1 | 25 |
| STARTER | 27 |
| CLUTCH | 28 |
| TRANSMISSION | 30 |
| SHIFT CAM & FORK | 32 |
| SHIFT SHAFT | 33 |

CHASSIS

| | |
|-------------------------------|----|
| FRAME | 35 |
| FENDER | 38 |
| SIDE COVER | 40 |
| REAR ARM | 41 |
| REAR SUSPENSION | 43 |
| STEERING | 44 |
| FRONT FORK | 46 |
| FUEL TANK | 48 |
| SEAT | 51 |
| FRONT WHEEL | 52 |
| FRONT BRAKE CALIPER | 53 |
| REAR WHEEL | 54 |
| REAR BRAKE CALIPER | 56 |
| STEERING HANDLE & CABLE | 57 |
| FRONT MASTER CYLINDER | 58 |
| STAND & FOOTREST | 60 |
| REAR MASTER CYLINDER | 63 |
| COWLING 1 | 65 |
| COWLING 2 | 68 |

| | |
|-----------------------------|----|
| GENERATOR | 71 |
| STARTING MOTOR | 72 |
| FLASHER LIGHT | 73 |
| METER | 74 |
| HEADLIGHT | 75 |
| TAILLIGHT | 76 |
| HANDLE SWITCH & LEVER | 77 |
| ELECTRICAL 1 | 78 |
| ELECTRICAL 2 | 80 |

INDEX

| | |
|-----------------------|----|
| NUMERICAL INDEX | 83 |
|-----------------------|----|



14B1300-H010

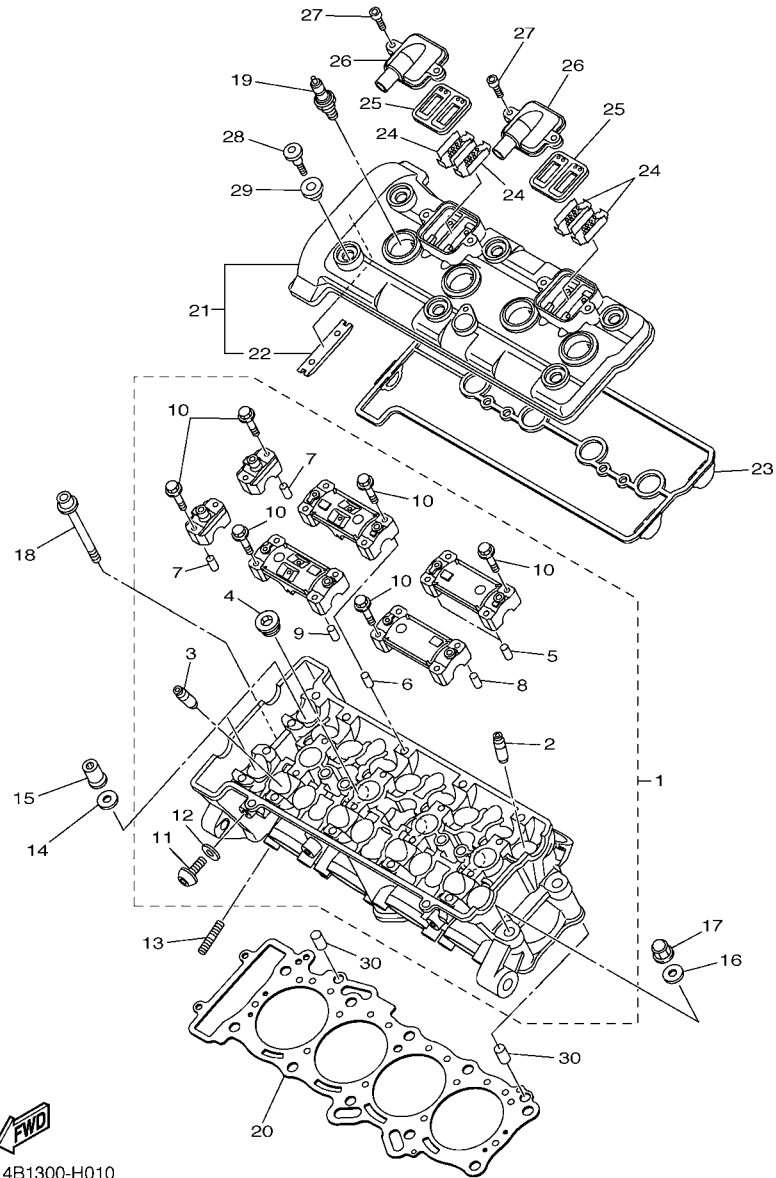
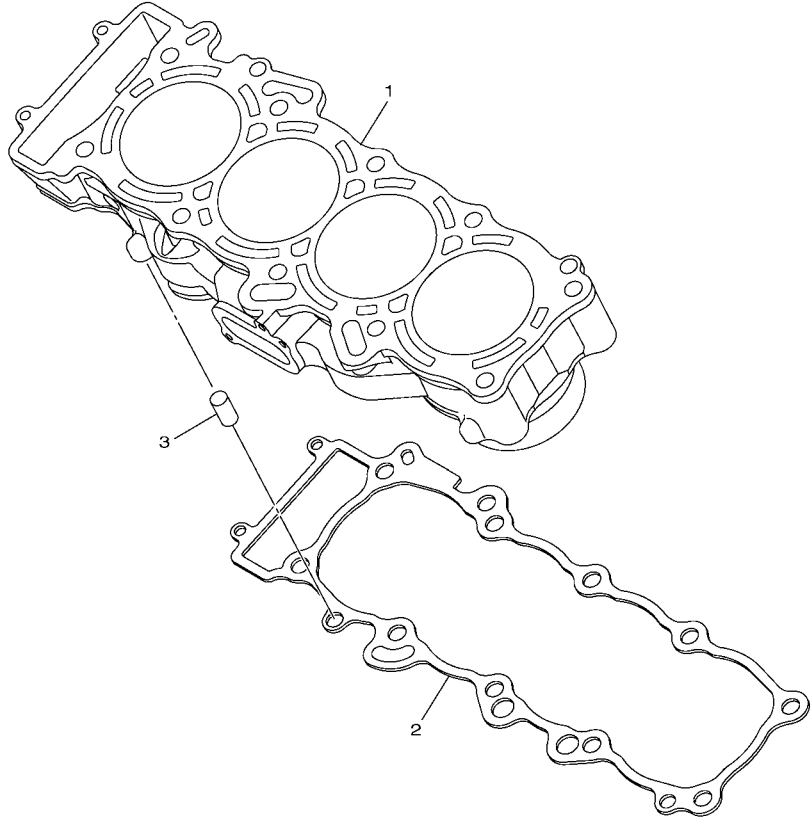


FIG. 1 CYLINDER HEAD

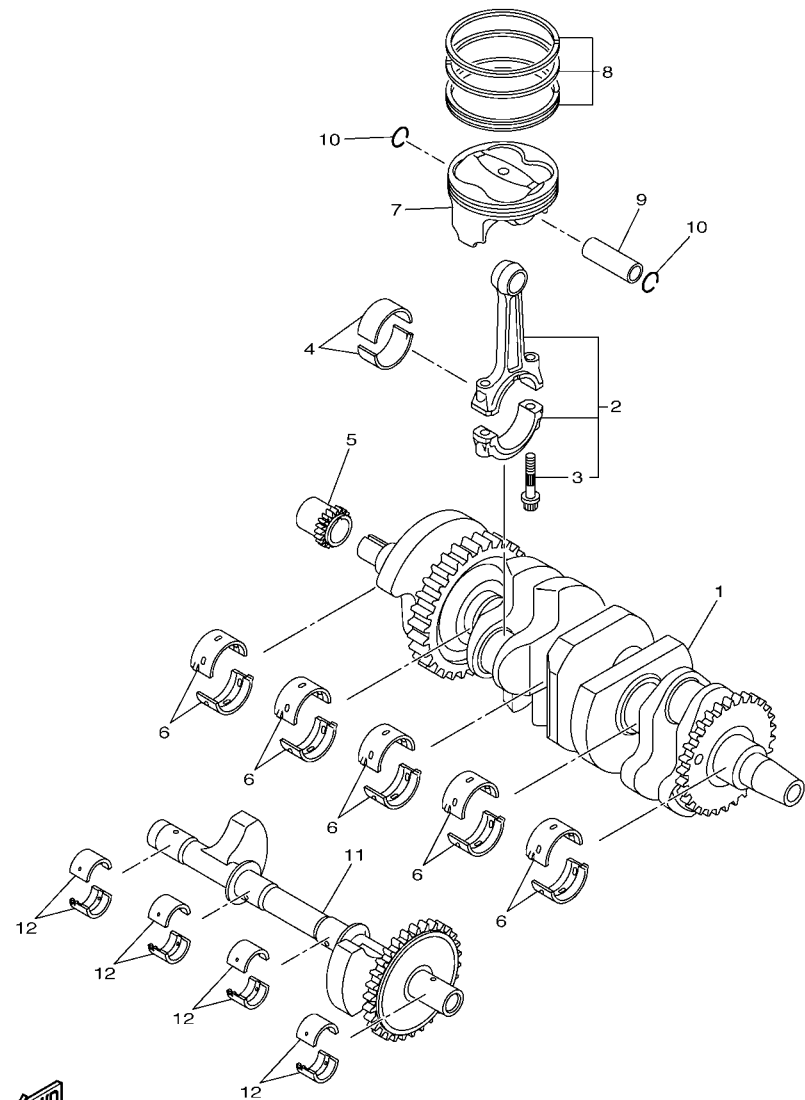
| REF. NO. | PART NO. | DESCRIPTION | TKBT | TKBU | | REMARKS |
|----------|--------------|----------------------------|------|------|--|---------|
| 1 | 14B-11101-19 | CYLINDER HEAD ASSY | 1 | 1 | | |
| 2 | 14B-11133-10 | .GUIDE, VALVE 1 | 8 | 8 | | |
| 3 | 4C8-11134-10 | .GUIDE, VALVE 2 | 8 | 8 | | |
| 4 | 90340-18002 | .PLUG, STRAIGHT SCREW | 3 | 3 | | |
| 5 | 91808-16023 | .PIN, DOWEL | 2 | 2 | | |
| 6 | 91808-16023 | .PIN, DOWEL | 2 | 2 | | |
| 7 | 91808-16023 | .PIN, DOWEL | 4 | 4 | | |
| 8 | 91808-16023 | .PIN, DOWEL | 2 | 2 | | |
| 9 | 91808-16023 | .PIN, DOWEL | 2 | 2 | | |
| 10 | 90105-06027 | .BOLT, FLANGE | 20 | 20 | | |
| 11 | 90149-06156 | .SCREW | 1 | 1 | | |
| 12 | 90430-06014 | .GASKET | 1 | 1 | | |
| 13 | 95612-08625 | BOLT, STUD | 8 | 8 | | |
| 14 | 90201-10035 | WASHER, PLATE | 8 | 8 | | |
| 15 | 90179-10029 | NUT | 8 | 8 | | |
| 16 | 90201-10035 | WASHER, PLATE | 2 | 2 | | |
| 17 | 90176-10075 | NUT, CROWN | 2 | 2 | | |
| 18 | 90110-06315 | BOLT, HEXAGON SOCKET HEAD | 2 | 2 | | |
| 19 | 94701-00424 | PLUG, SPARK (NGK LMAR9E-J) | 4 | 4 | | |
| 20 | 14B-11181-00 | GASKET, CYLINDER HEAD 1 | 1 | 1 | | |
| 21 | 14B-11191-00 | COVER, CYLINDER HEAD 1 | 1 | 1 | | |
| 22 | 5BE-12241-00 | .GUIDE, STOPPER 2 | 1 | 1 | | |
| 23 | 14B-11193-00 | GASKET, HEAD COVER 1 | 1 | 1 | | |
| 24 | 5VY-1482K-00 | PLATE | 4 | 4 | | |
| 25 | 5SL-14890-10 | REED VALVE ASSY | 2 | 2 | | |
| 26 | 14B-14899-01 | CAP, CASE | 2 | 2 | | |
| 27 | 90110-06175 | BOLT, HEXAGON SOCKET HEAD | 4 | 4 | | |

FIG. 2 CYLINDER



14B1300-H020

| REF. NO. | PART NO. | DESCRIPTION | TKBT | TKBU | | | | REMARKS |
|----------|--------------|------------------|------|------|--|--|--|---------|
| 1 | 14B-11311-00 | CYLINDER 1 | 1 | 1 | | | | |
| 2 | 14B-11351-00 | GASKET, CYLINDER | 1 | 1 | | | | |
| 3 | 99530-10114 | PIN, DOWEL | 2 | 2 | | | | |
| ----- | | | | | | | | |
| ----- | | | | | | | | |
| ----- | | | | | | | | |
| ----- | | | | | | | | |
| ----- | | | | | | | | |
| ----- | | | | | | | | |
| ----- | | | | | | | | |



14B1300-H030

FIG. 3 CRANKSHAFT & PISTON

| REF. NO. | PART NO. | DESCRIPTION | TKBT | TKBU | REMARKS |
|----------|--------------|-------------------------------|------|------|---------------|
| 1 | 14B-11400-00 | CRANKSHAFT ASSY | 1 | 1 | |
| 2 | 14B-11650-00 | CONNECTING ROD ASSY | 4 | 4 | |
| 3 | 5VY-11654-01 | .BOLT, CONNECTING ROD | 2 | 2 | |
| 4 | 14B-11656-00 | PLANE BEARING, CONNECTING ROD | 8 | 8 | UR PINK-BLUE |
| | 14B-11656-10 | PLANE BEARING, CONNECTING ROD | 8 | 8 | UR PINK-BLACK |
| | 14B-11656-20 | PLANE BEARING, CONNECTING ROD | 8 | 8 | UR PINK-BROWN |
| | 14B-11656-30 | PLANE BEARING, CONNECTING ROD | 8 | 8 | UR PINK-GREEN |
| 5 | 14B-11549-00 | SPROCKET, CAM CHAIN | 1 | 1 | |
| 6 | 14B-11416-00 | PLANE BEARING, CRANKSHAFT 1 | 10 | 10 | UR BLUE |
| | 14B-11416-10 | PLANE BEARING, CRANKSHAFT 1 | 10 | 10 | UR BLACK |
| | 14B-11416-20 | PLANE BEARING, CRANKSHAFT 1 | 10 | 10 | UR BROWN |
| | 14B-11416-30 | PLANE BEARING, CRANKSHAFT 1 | 10 | 10 | UR GREEN |
| | 14B-11416-40 | PLANE BEARING, CRANKSHAFT 1 | 10 | 10 | UR YELLOW |
| 7 | 14B-11631-00 | PISTON (STD) | 4 | 4 | |
| 8 | 14B-11603-00 | PISTON RING SET (STD) | 4 | 4 | |
| 9 | 4C8-11633-00 | PIN, PISTON | 4 | 4 | |
| 10 | 93450-18157 | CIRCLIP | 8 | 8 | |
| 11 | 14B-11500-00 | BALANCER ASSY | 1 | 1 | |
| 12 | 14B-11413-00 | PLANE BEARING, BALANCE WEIGHT | 8 | 8 | UR BLUE |
| | 14B-11413-10 | PLANE BEARING, BALANCE WEIGHT | 8 | 8 | UR BLACK |
| | 14B-11413-20 | PLANE BEARING, BALANCE WEIGHT | 8 | 8 | UR BROWN |
| | 14B-11413-30 | PLANE BEARING, BALANCE WEIGHT | 8 | 8 | UR GREEN |
| | 14B-11413-40 | PLANE BEARING, BALANCE WEIGHT | 8 | 8 | UR YELLOW |
| | 14B-11413-50 | PLANE BEARING, BALANCE WEIGHT | 8 | 8 | UR PINK |
| | 14B-11413-A0 | PLANE BEARING, BALANCE WEIGHT | 8 | 8 | UR WHITE |

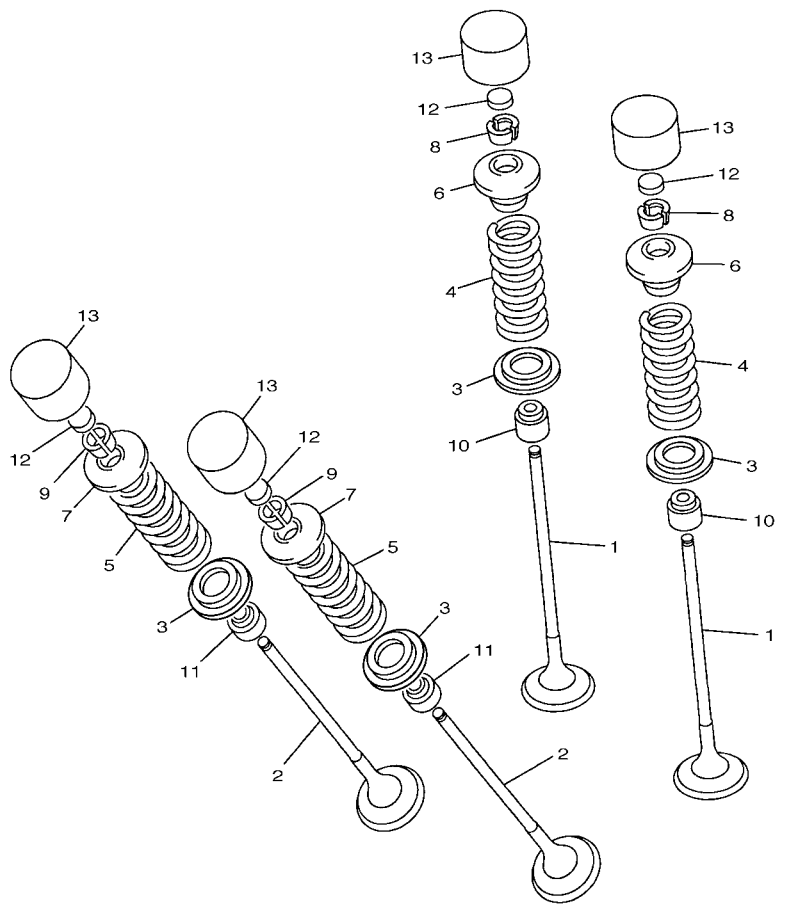
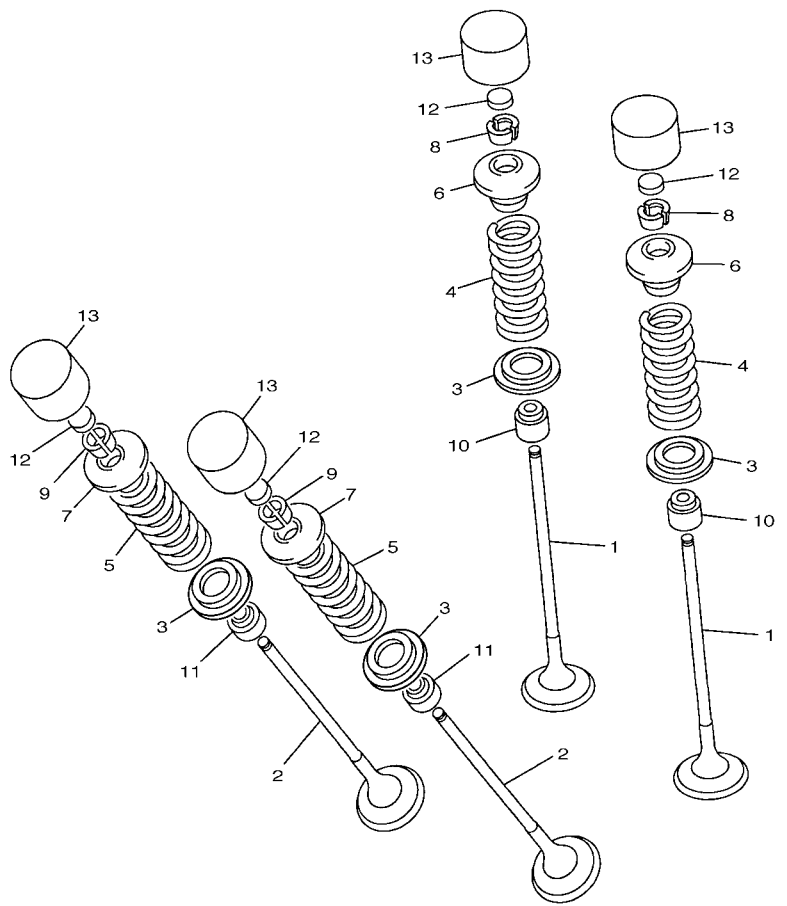


FIG. 4 VALVE

| REF. NO. | PART NO. | DESCRIPTION | 1KBT | 1KBU | | REMARKS |
|----------|--------------|------------------------|------|------|--|---------|
| 1 | 14B-12111-00 | VALVE, INTAKE | 8 | 8 | | |
| 2 | 14B-12121-00 | VALVE, EXHAUST | 8 | 8 | | |
| 3 | 4C8-12116-00 | SEAT, VALVE SPRING | 16 | 16 | | |
| 4 | 14B-12113-00 | SPRING, VALVE INNER | 8 | 8 | | |
| 5 | 14B-12114-00 | SPRING, VALVE OUTER | 8 | 8 | | |
| 6 | 4C8-12117-00 | RETAINER, VALVE SPRING | 8 | 8 | | |
| 7 | 4C8-12127-00 | RETAINER, VALVE SPRING | 8 | 8 | | |
| 8 | 1AA-12118-00 | COTTER, VALVE | 16 | 16 | | |
| 9 | 1WG-12118-00 | COTTER, VALVE | 16 | 16 | | |
| 10 | 3P6-12129-00 | SEAL, VALVE STEM | 8 | 8 | | |
| 11 | 4TE-12119-00 | SEAL, VALVE STEM | 8 | 8 | | |
| 12 | 3LD-12168-K1 | PAD, ADJUSTING (1.60) | 16 | 16 | | UR |
| | 3LD-12168-M1 | PAD, ADJUSTING (1.65) | 16 | 16 | | UR |
| | 3LD-12168-R1 | PAD, ADJUSTING (1.70) | 16 | 16 | | UR |
| | 3LD-12168-U1 | PAD, ADJUSTING (1.75) | 16 | 16 | | UR |
| | 3LD-12168-W1 | PAD, ADJUSTING (1.80) | 16 | 16 | | UR |
| | 3LD-12168-Y1 | PAD, ADJUSTING (1.85) | 16 | 16 | | UR |
| | 3LD-12169-11 | PAD, ADJUSTING (1.90) | 16 | 16 | | UR |
| | 3LD-12169-31 | PAD, ADJUSTING (1.95) | 16 | 16 | | UR |
| | 3LD-12169-50 | PAD, ADJUSTING (2.00) | 16 | 16 | | UR |
| | 3LD-12169-70 | PAD, ADJUSTING (2.05) | 16 | 16 | | UR |
| | 3LD-12169-90 | PAD, ADJUSTING (2.10) | 16 | 16 | | UR |
| | 3LD-12169-E0 | PAD, ADJUSTING (2.15) | 16 | 16 | | UR |
| | 3LD-12169-G0 | PAD, ADJUSTING (2.20) | 16 | 16 | | UR |
| | 3LD-12169-J0 | PAD, ADJUSTING (2.25) | 16 | 16 | | UR |
| | 3LD-12169-L0 | PAD, ADJUSTING (2.30) | 16 | 16 | | UR |
| | 3LD-12169-N0 | PAD, ADJUSTING (2.35) | 16 | 16 | | UR |



1KB8300-L040

FIG. 4 VALVE

| REF. NO. | PART NO. | DESCRIPTION | TKBT | TKBU | | REMARKS |
|----------|--------------|-----------------------|------|------|--|----------|
| 12 | 3LD-12169-T0 | PAD, ADJUSTING (2.40) | 16 | 16 | | UR |
| 13 | 4C8-12153-10 | LIFTER, VALVE | 16 | 16 | | YELLOW |
| | 4C8-12153-09 | LIFTER, VALVE (O/S) | 16 | 16 | | AP GREEN |
| ----- | | | | | | |
| ----- | | | | | | |
| ----- | | | | | | |
| ----- | | | | | | |
| ----- | | | | | | |
| ----- | | | | | | |
| ----- | | | | | | |
| ----- | | | | | | |
| ----- | | | | | | |

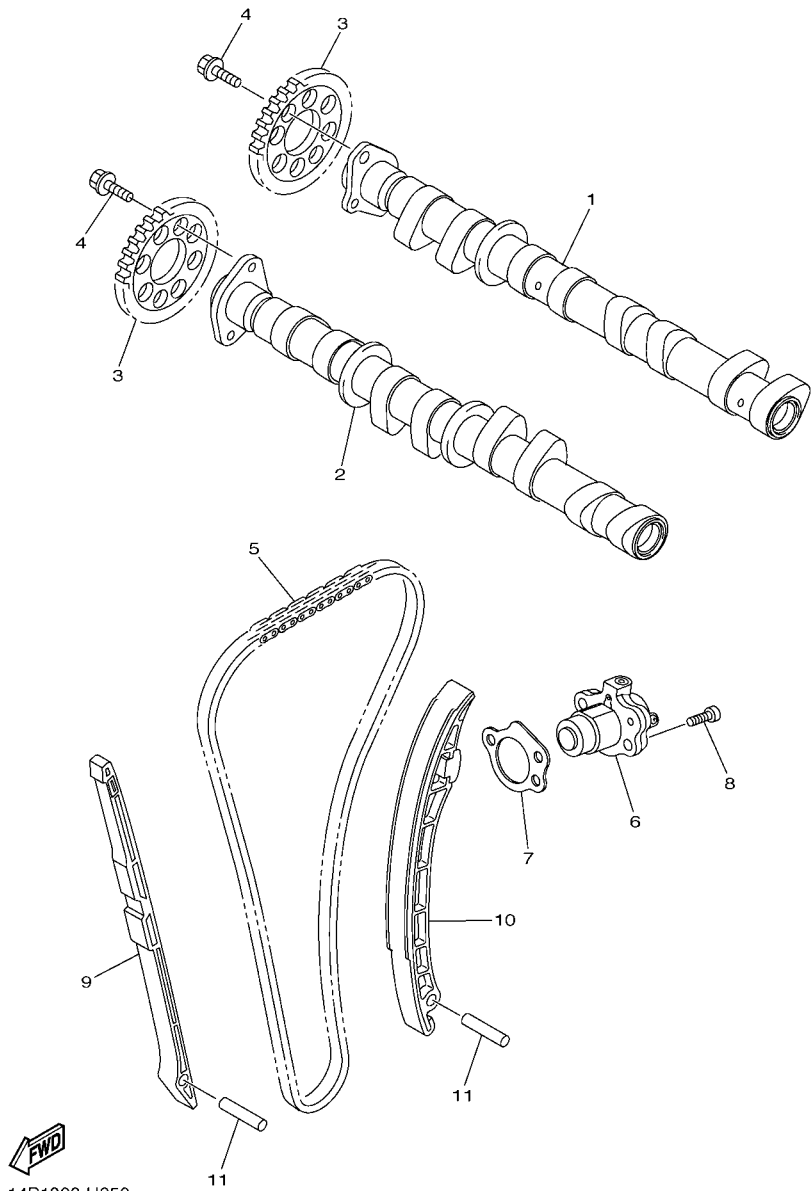
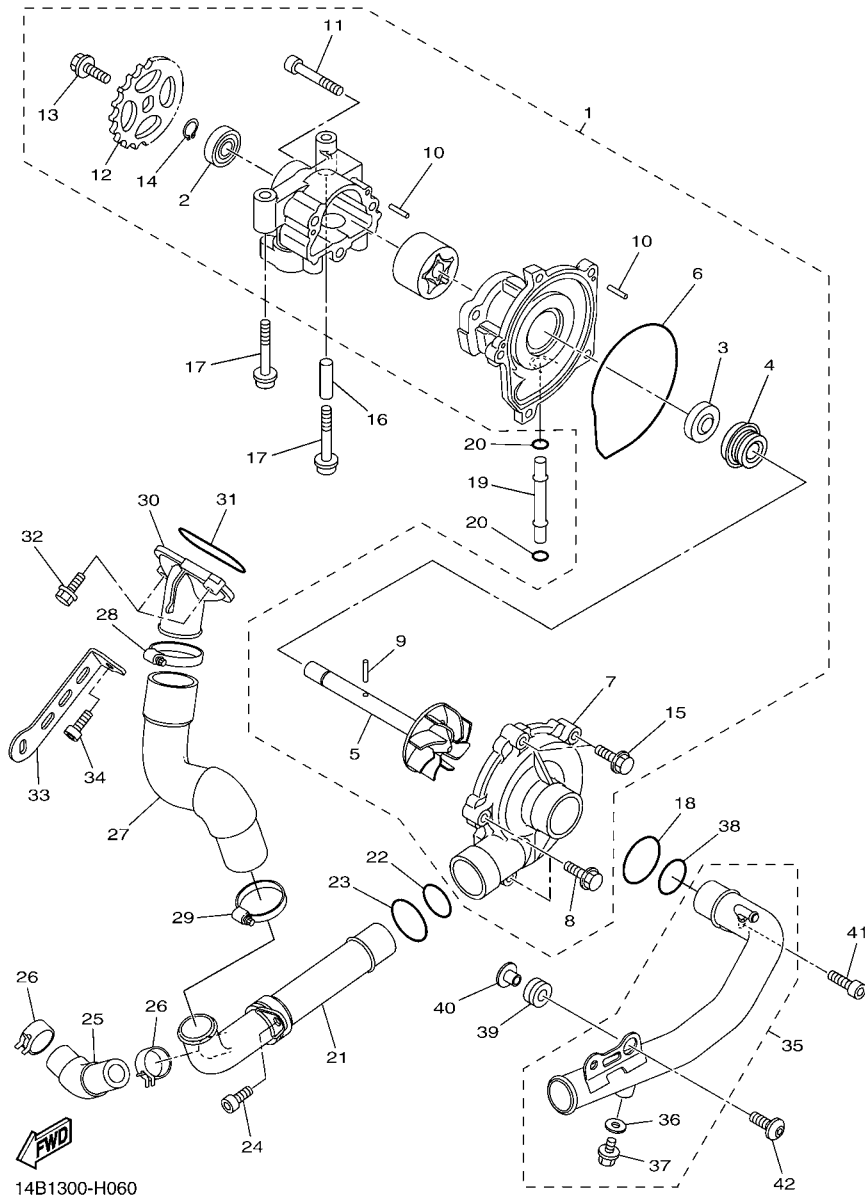


FIG. 5 CAMSHAFT & CHAIN

| REF. NO. | PART NO. | DESCRIPTION | 1KBT | 1KBU | | REMARKS |
|----------|--------------|---------------------------|------|------|--|---------|
| 1 | 14B-12170-01 | CAMSHAFT ASSY 1 | 1 | 1 | | |
| 2 | 14B-12180-01 | CAMSHAFT ASSY 2 | 1 | 1 | | |
| 3 | 14B-12176-00 | SPROCKET, CAM CHAIN | 2 | 2 | | |
| 4 | 90105-07006 | BOLT, FLANGE | 4 | 4 | | |
| 5 | 94591-60126 | CHAIN | 1 | 1 | | |
| 6 | 1KB-12210-00 | TENSIONER ASSY, CAM CHAIN | 1 | 1 | | |
| 7 | 14B-12213-00 | GASKET, TENSIONER CASE | 1 | 1 | | |
| 8 | 91312-06025 | BOLT | 2 | 2 | | |
| 9 | 1KB-12251-00 | DAMPER, CHAIN 1 | 1 | 1 | | |
| 10 | 14B-12252-00 | DAMPER, CHAIN 2 | 1 | 1 | | |
| 11 | 93607-44002 | PIN, DOWEL | 2 | 2 | | |
| | | | | | | |
| | | | | | | |
| | | | | | | |
| | | | | | | |
| | | | | | | |
| | | | | | | |



14B1300-H060

FIG. 6 WATER PUMP

| REF. NO. | PART NO. | DESCRIPTION | TKBT | TKBU | REMARKS |
|----------|--------------|---------------------------|------|------|---------|
| 1 | 14B-12420-00 | WATER PUMP ASSY | 1 | 1 | |
| 2 | 93306-00106 | .BEARING | 1 | 1 | |
| 3 | 14B-13338-00 | .SEAL | 1 | 1 | |
| 4 | 4C8-12438-00 | .SEAL, MECHANICAL | 1 | 1 | |
| 5 | 14B-12450-00 | .IMPELLER SHAFT ASSY | 1 | 1 | |
| 6 | 4XV-12439-00 | .O-RING | 1 | 1 | |
| 7 | 14B-12422-00 | .COVER, HOUSING | 1 | 1 | |
| 8 | 95022-06025 | .BOLT, FLANGE | 3 | 3 | |
| 9 | 93603-17070 | .PIN, DOWEL | 1 | 1 | |
| 10 | 93603-12007 | .PIN, DOWEL | 4 | 4 | |
| 11 | 91312-06045 | .BOLT | 3 | 3 | |
| 12 | 14B-13355-00 | .SPROCKET, DRIVEN | 1 | 1 | |
| 13 | 90105-06066 | .BOLT, FLANGE | 1 | 1 | |
| 14 | 99009-12400 | .CIRCLIP | 1 | 1 | |
| 15 | 95022-06020 | .BOLT, FLANGE | 2 | 2 | |
| 16 | 91808-30031 | PIN, DOWEL | 1 | 1 | |
| 17 | 90110-06167 | BOLT, HEXAGON SOCKET HEAD | 2 | 2 | |
| 18 | 93210-357A2 | O-RING | 1 | 1 | |
| 19 | 4XV-12485-00 | PIPE 5 | 1 | 1 | |
| 20 | 93210-06667 | O-RING | 2 | 2 | |
| 21 | 14B-12481-00 | PIPE 1 | 1 | 1 | |
| 22 | 93210-235A1 | O-RING | 1 | 1 | |
| 23 | 93210-27370 | O-RING | 1 | 1 | |
| 24 | 90110-06182 | BOLT, HEXAGON SOCKET HEAD | 1 | 1 | |
| 25 | 14B-12588-00 | HOSE 5 | 1 | 1 | |
| 26 | 90467-200A0 | CLIP | 2 | 2 | |
| 27 | 14B-12576-00 | HOSE 1 | 1 | 1 | |

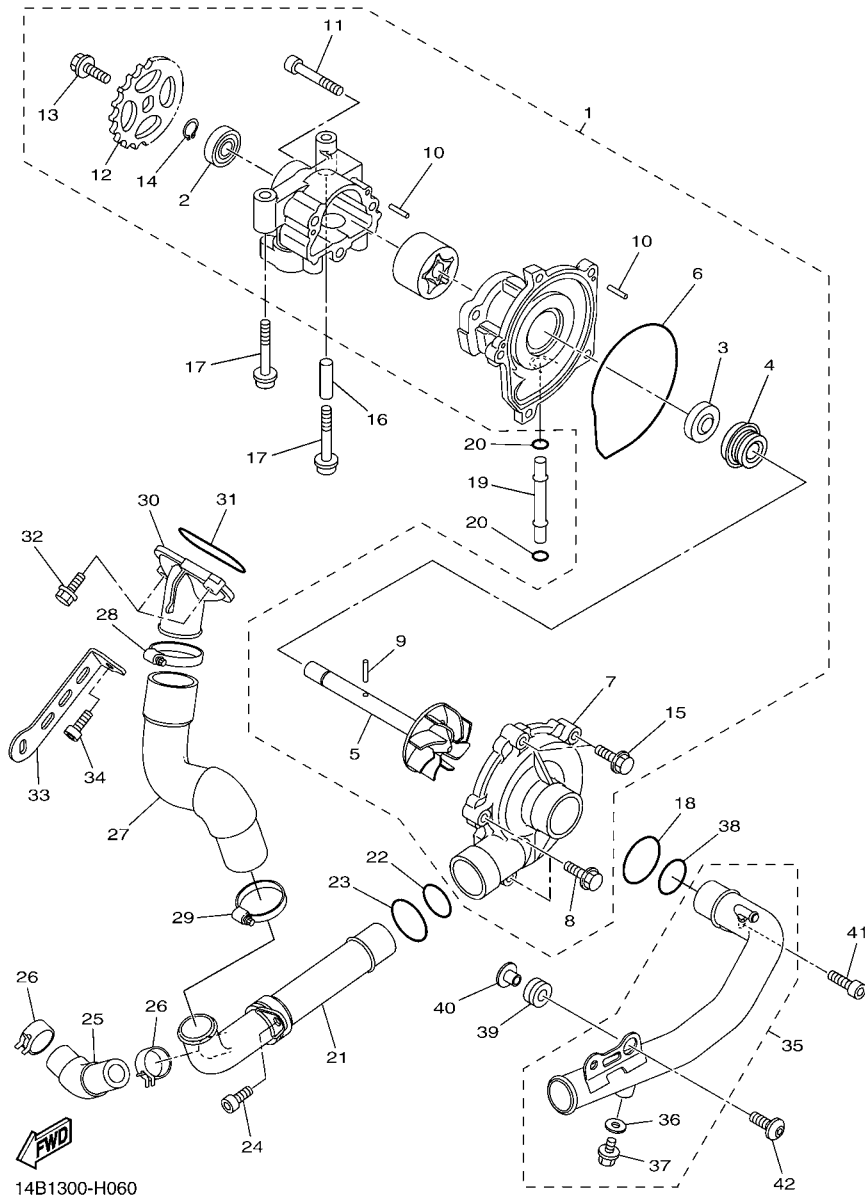


FIG. 6 WATER PUMP

| REF. NO. | PART NO. | DESCRIPTION | TKBT | TKBU | | REMARKS |
|----------|--------------|---------------------------|------|------|--|---------|
| 28 | 90450-38040 | HOSE CLAMP ASSY | 1 | 1 | | |
| 29 | 90450-35001 | HOSE CLAMP ASSY | 1 | 1 | | |
| 30 | 14B-12469-10 | JOINT 1 | 1 | 1 | | |
| 31 | 93210-46044 | O-RING | 1 | 1 | | |
| 32 | 95024-06025 | BOLT, FLG.(SMALL HEAD) | 2 | 2 | | |
| 33 | 14B-12637-00 | STAY 1 | 1 | 1 | | |
| 34 | 91314-06012 | BOLT, HEXAGON SOCKET HEAD | 1 | 1 | | |
| 35 | 14B-12484-00 | PIPE 4 | 1 | 1 | | |
| 36 | 90430-06014 | .GASKET | 1 | 1 | | |
| 37 | 90153-06002 | .SCREW, HEXAGON | 1 | 1 | | |
| 38 | 93210-235A1 | O-RING | 1 | 1 | | |
| 39 | 90480-12010 | GROMMET | 1 | 1 | | |
| 40 | 90387-06112 | COLLAR | 1 | 1 | | |
| 41 | 90110-06182 | BOLT, HEXAGON SOCKET HEAD | 1 | 1 | | |
| 42 | 90149-06022 | SCREW | 1 | 1 | | |

FIG. 7 RADIATOR & HOSE

| REF. NO. | PART NO. | DESCRIPTION | TKBT | TKBU | REMARKS |
|----------|--------------|---------------------------|------|------|---------|
| 1 | 14B-12485-00 | PIPE 5 | 1 | 1 | |
| 2 | 90110-06182 | BOLT, HEXAGON SOCKET HEAD | 1 | 1 | |
| 3 | 93210-235A1 | O-RING | 1 | 1 | |
| 4 | 14B-12410-00 | THERMOSTAT ASSY | 1 | 1 | |
| 5 | 5LP-12411-00 | .THERMOSTAT | 1 | 1 | |
| 6 | 93210-49046 | .O-RING | 1 | 1 | |
| 7 | 90176-06014 | .NUT, CROWN | 2 | 2 | |
| 8 | 4C8-12579-00 | HOSE 4 | 1 | 1 | |
| 9 | 90450-35001 | HOSE CLAMP ASSY | 1 | 1 | |
| 10 | 5GV-1246E-00 | COVER 2 | 1 | 1 | |
| 11 | 90450-38040 | HOSE CLAMP ASSY | 1 | 1 | |
| 12 | 14B-12579-00 | HOSE 4 | 1 | 1 | |
| 13 | 90450-38040 | HOSE CLAMP ASSY | 2 | 2 | |
| 14 | 14B-12482-00 | PIPE 2 | 1 | 1 | |
| 15 | 90110-06256 | BOLT, HEXAGON SOCKET HEAD | 2 | 2 | |
| 16 | 14B-12578-00 | HOSE 3 | 1 | 1 | |
| 17 | 90450-35001 | HOSE CLAMP ASSY | 2 | 2 | |
| 18 | 14B-12461-00 | RADIATOR COMP | 1 | 1 | |
| 19 | 1KB-12405-00 | BLOWER ASSY | 1 | 1 | |
| 20 | 1KB-12405-10 | BLOWER ASSY | 1 | 1 | |
| 21 | 5GJ-12675-00 | BOLT, BLOWER HOLDING | 6 | 6 | |
| 22 | 90480-15363 | GROMMET | 3 | 3 | |
| 23 | 90387-0614M | COLLAR | 2 | 2 | |
| 24 | 14B-12465-00 | DAMPER, RADIATOR | 1 | 1 | |
| 25 | 13S-12688-00 | DAMPER, SHROUD 7 | 1 | 1 | |
| 26 | 5SL-12671-00 | NUT 1 | 1 | 1 | |
| 27 | 14B-12551-00 | HOSE 7 | 1 | 1 | |

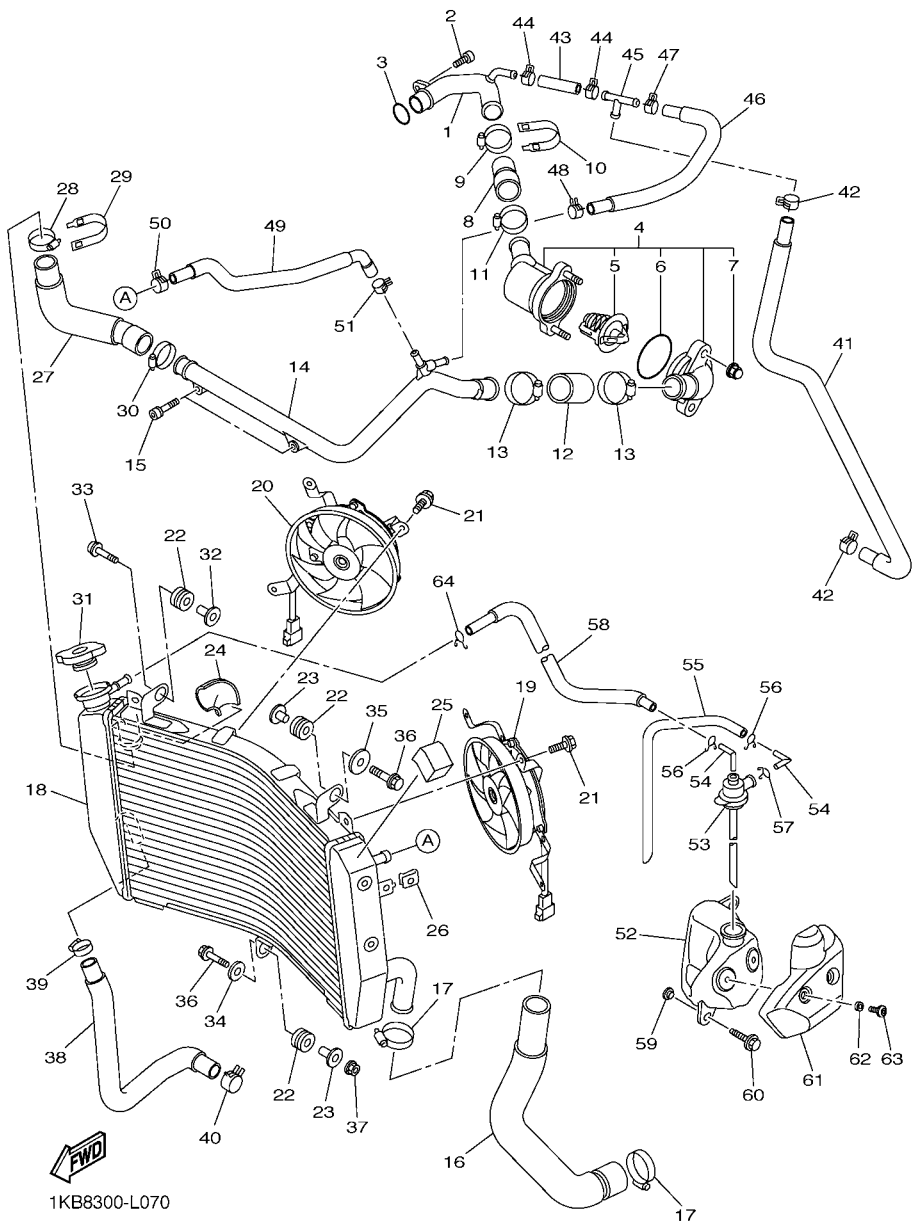
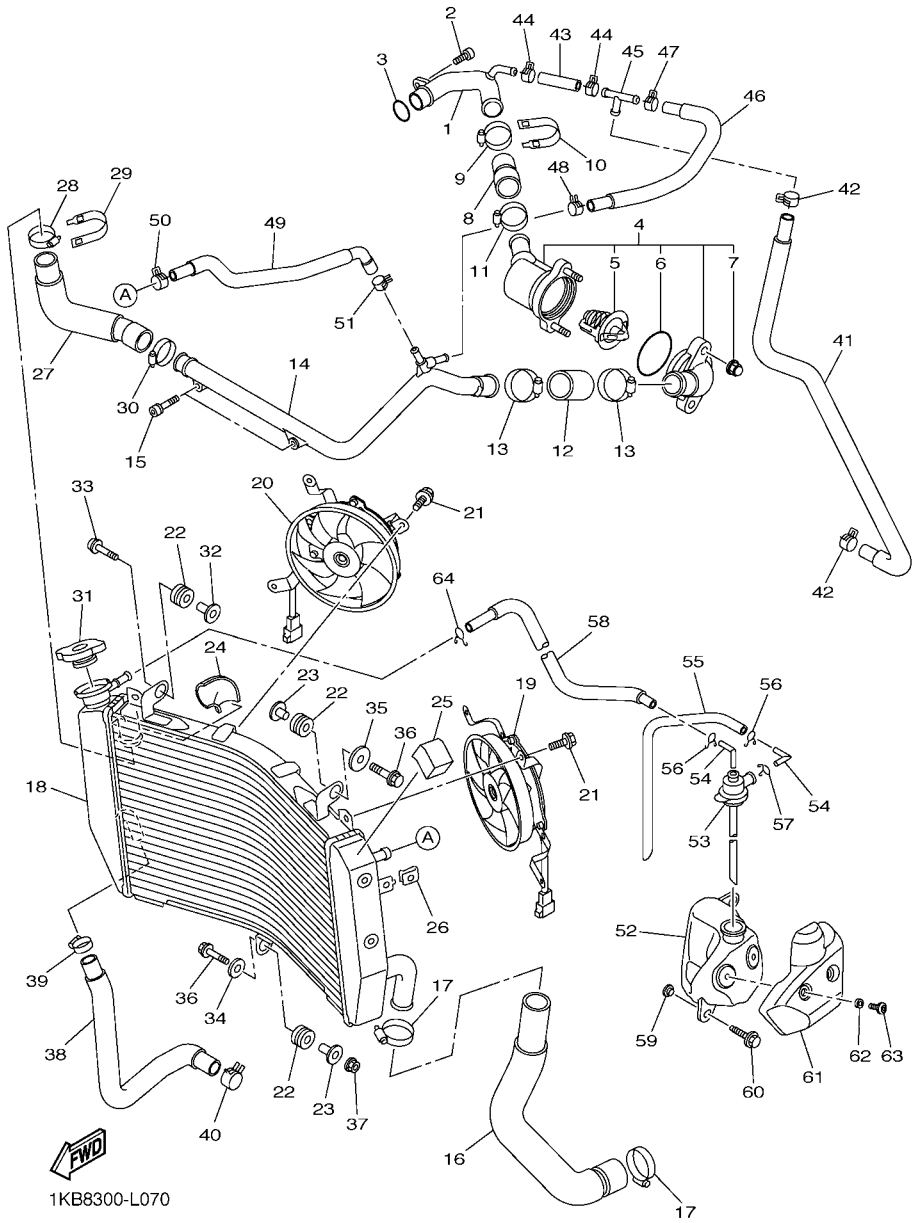
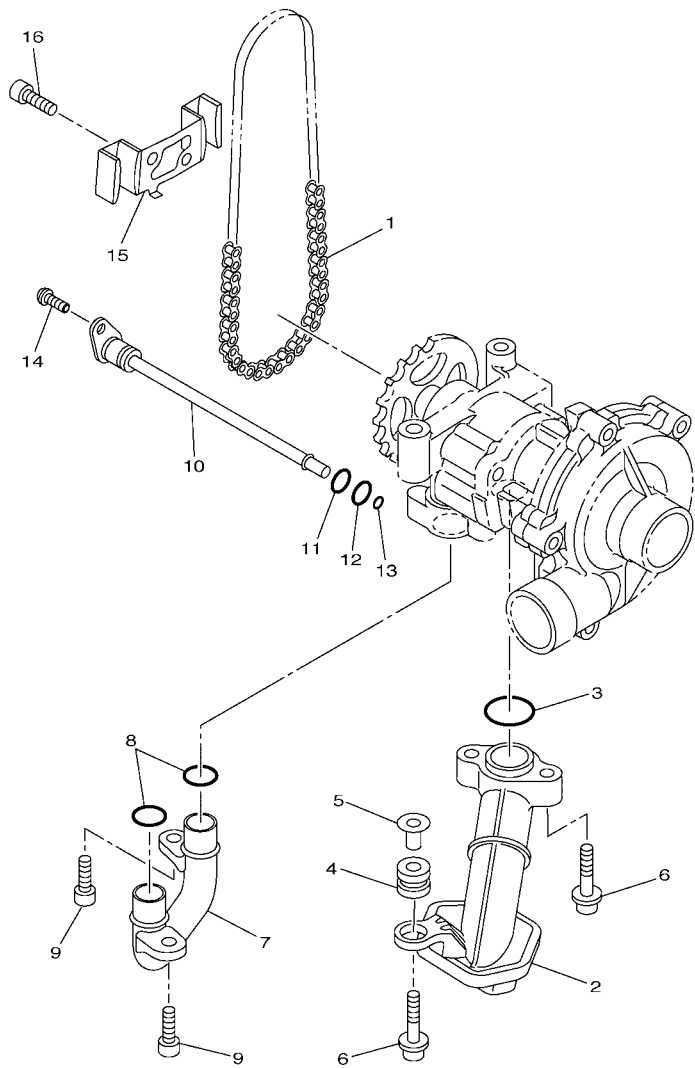


FIG. 7 RADIATOR & HOSE

| REF. NO. | PART NO. | DESCRIPTION | TKBT | TKBU | REMARKS |
|----------|--------------|--------------------|------|------|---------|
| 28 | 90450-35001 | HOSE CLAMP ASSY | 1 | 1 | |
| 29 | 5GV-1246E-00 | COVER 2 | 1 | 1 | |
| 30 | 90450-38040 | HOSE CLAMP ASSY | 1 | 1 | |
| 31 | 5SL-12462-00 | CAP, RADIATOR | 1 | 1 | |
| 32 | 90387-0614M | COLLAR | 1 | 1 | |
| 33 | 91317-06030 | BOLT | 1 | 1 | |
| 34 | 90201-06071 | WASHER, PLATE | 1 | 1 | |
| 35 | 90201-06074 | WASHER, PLATE | 1 | 1 | |
| 36 | 95827-06030 | BOLT, FLANGE | 2 | 2 | |
| 37 | 95607-06200 | NUT, SELF U-FLANGE | 1 | 1 | |
| 38 | 14B-12589-00 | HOSE 6 | 1 | 1 | |
| 39 | 90450-22017 | HOSE CLAMP ASSY | 1 | 1 | |
| 40 | 90467-200A0 | CLIP | 1 | 1 | |
| 41 | 14B-1243A-00 | HOSE 1 | 1 | 1 | |
| 42 | 90467-11090 | CLIP | 2 | 2 | |
| 43 | 14B-1243E-00 | HOSE 2 | 1 | 1 | |
| 44 | 90467-11090 | CLIP | 2 | 2 | |
| 45 | 90413-07023 | WAY 3 | 1 | 1 | |
| 46 | 14B-1244G-00 | HOSE, 4 | 1 | 1 | |
| 47 | 90467-11090 | CLIP | 1 | 1 | |
| 48 | 90467-11044 | CLIP | 1 | 1 | |
| 49 | 14B-12552-00 | HOSE 8 | 1 | 1 | |
| 50 | 90467-11090 | CLIP | 1 | 1 | |
| 51 | 90467-11044 | CLIP | 1 | 1 | |
| 52 | 14B-21871-00 | TANK, RECOVERY | 1 | 1 | |
| 53 | 14B-21875-00 | CAP | 1 | 1 | |
| 54 | 26H-21828-00 | ELBOW | 2 | 2 | |



1KB8300-L070



14B1300-H080

FIG. 8 OIL PUMP

| REF. NO. | PART NO. | DESCRIPTION | TKBT | TKBU | | REMARKS |
|----------|--------------|---------------------------|------|------|--|---------|
| 1 | 94580-31082 | CHAIN (DID25HT 82LE) | 1 | 1 | | |
| 2 | 14B-13410-00 | STRAINER HOUSING ASSY | 1 | 1 | | |
| 3 | 93210-22M93 | O-RING | 1 | 1 | | |
| 4 | 90480-13010 | GROMMET | 1 | 1 | | |
| 5 | 5VY-13117-10 | COLLAR, DISTANCE | 1 | 1 | | |
| 6 | 90110-06173 | BOLT, HEXAGON SOCKET HEAD | 3 | 3 | | |
| 7 | 14B-13416-00 | PIPE, OIL 1 | 1 | 1 | | |
| 8 | 93210-14003 | O-RING | 2 | 2 | | |
| 9 | 90110-06182 | BOLT, HEXAGON SOCKET HEAD | 2 | 2 | | |
| 10 | 14B-1316E-00 | PIPE, DELIVERY 5 | 1 | 1 | | |
| 11 | 93210-12010 | O-RING | 1 | 1 | | |
| 12 | 93210-09525 | O-RING | 1 | 1 | | |
| 13 | 93210-06667 | O-RING | 1 | 1 | | |
| 14 | 90149-06158 | SCREW | 1 | 1 | | |
| 15 | 14B-13898-00 | HOLDER | 1 | 1 | | |
| 16 | 90110-06182 | BOLT, HEXAGON SOCKET HEAD | 2 | 2 | | |
| | | | | | | |
| | | | | | | |
| | | | | | | |
| | | | | | | |

FIG. 10 INTAKE

| REF. NO. | PART NO. | DESCRIPTION | TKBT | TKBU | REMARKS |
|----------|--------------|---------------------------|------|------|---------|
| 1 | 90110-06193 | BOLT, HEXAGON SOCKET HEAD | 7 | 7 | |
| 2 | 14B-13595-00 | JOINT | 1 | 1 | |
| 3 | 90450-60004 | HOSE CLAMP ASSY | 2 | 2 | |
| 4 | 14B-13596-00 | JOINT, CARBURETOR 2 | 1 | 1 | |
| 5 | 90450-60004 | HOSE CLAMP ASSY | 2 | 2 | |
| 6 | 14B-14411-01 | CASE, AIR CLEANER 1 | 1 | 1 | |
| 7 | 14B-14457-00 | .SEAL | 1 | 1 | |
| 8 | 14B-14462-00 | .SEAL | 1 | 1 | |
| 9 | 14B-14425-00 | .DAMPER 1 | 1 | 1 | |
| 10 | 14B-85870-00 | GEARED MOTOR COMP. 2 | 1 | 1 | |
| 11 | 14B-14490-00 | SHAFT ASSY | 1 | 1 | |
| 12 | 90110-05047 | BOLT, HEXAGON SOCKET HEAD | 3 | 3 | |
| 13 | 14B-15393-00 | PIPE, BREATHER 2 | 1 | 1 | |
| 14 | 90467-160A2 | CLIP | 1 | 1 | |
| 15 | 14B-1440B-00 | JOINT ASSY | 1 | 1 | |
| 16 | 14B-14445-00 | GROMMET | 2 | 2 | |
| 17 | 14B-14498-00 | STAY 1 | 1 | 1 | |
| 18 | 14B-14421-01 | CASE, AIR CLEANER 2 | 1 | 1 | |
| 19 | 14B-14452-00 | .SEAL | 1 | 1 | |
| 20 | 14B-1446R-00 | .SEAL | 1 | 1 | |
| 21 | 13S-14445-00 | GROMMET | 1 | 1 | |
| 22 | 14B-14402-01 | CAP ASSY, AIR CLEANER | 1 | 1 | |
| 23 | 14B-13761-10 | .INJECTOR | 4 | 4 | |
| 24 | 5PS-14147-00 | .O-RING | 1 | 1 | |
| 25 | 8FP-13556-00 | .RUBBER, INJECTOR | 4 | 4 | |
| 26 | 14B-13767-01 | .CAP, INJECTOR | 1 | 1 | |
| 27 | 14B-82318-00 | WIRE, SUB-LEAD | 1 | 1 | |

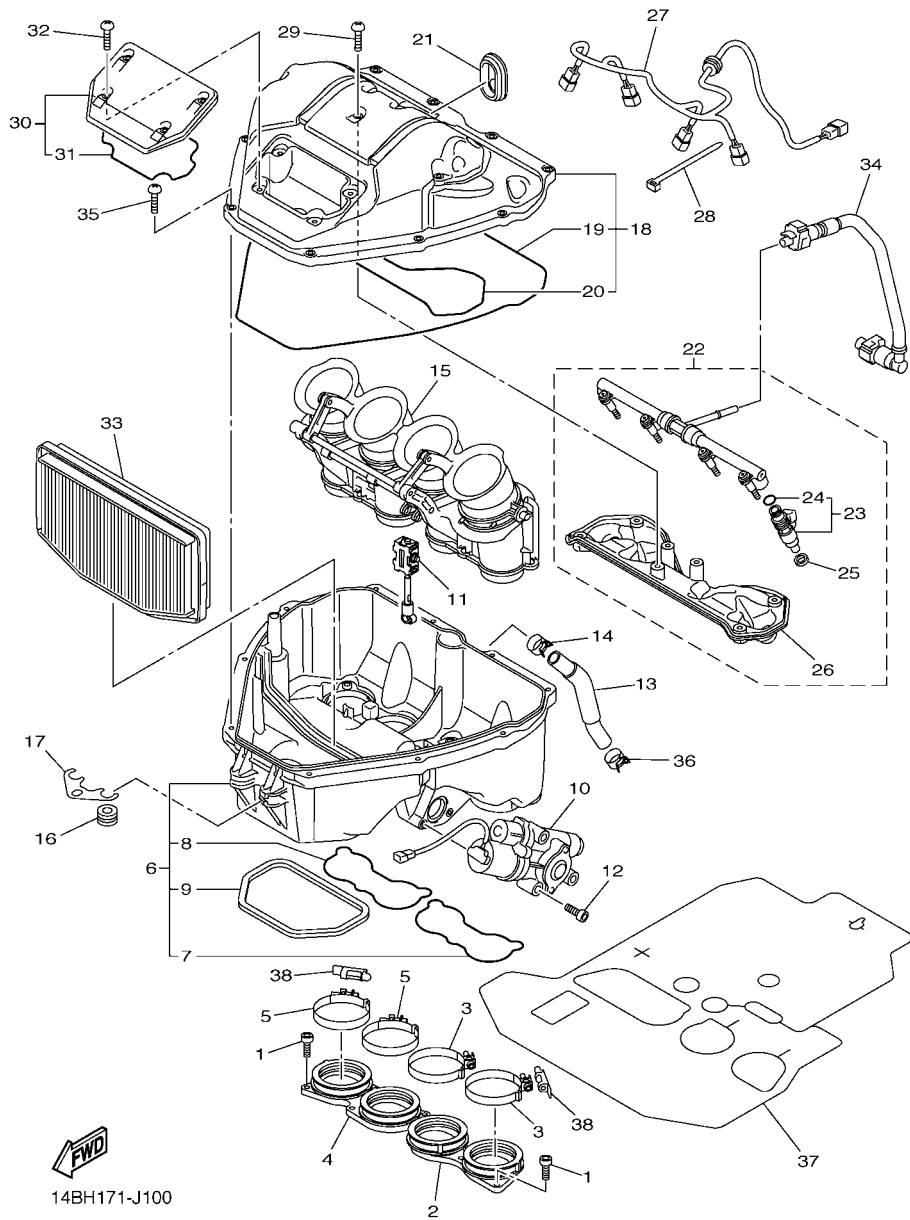
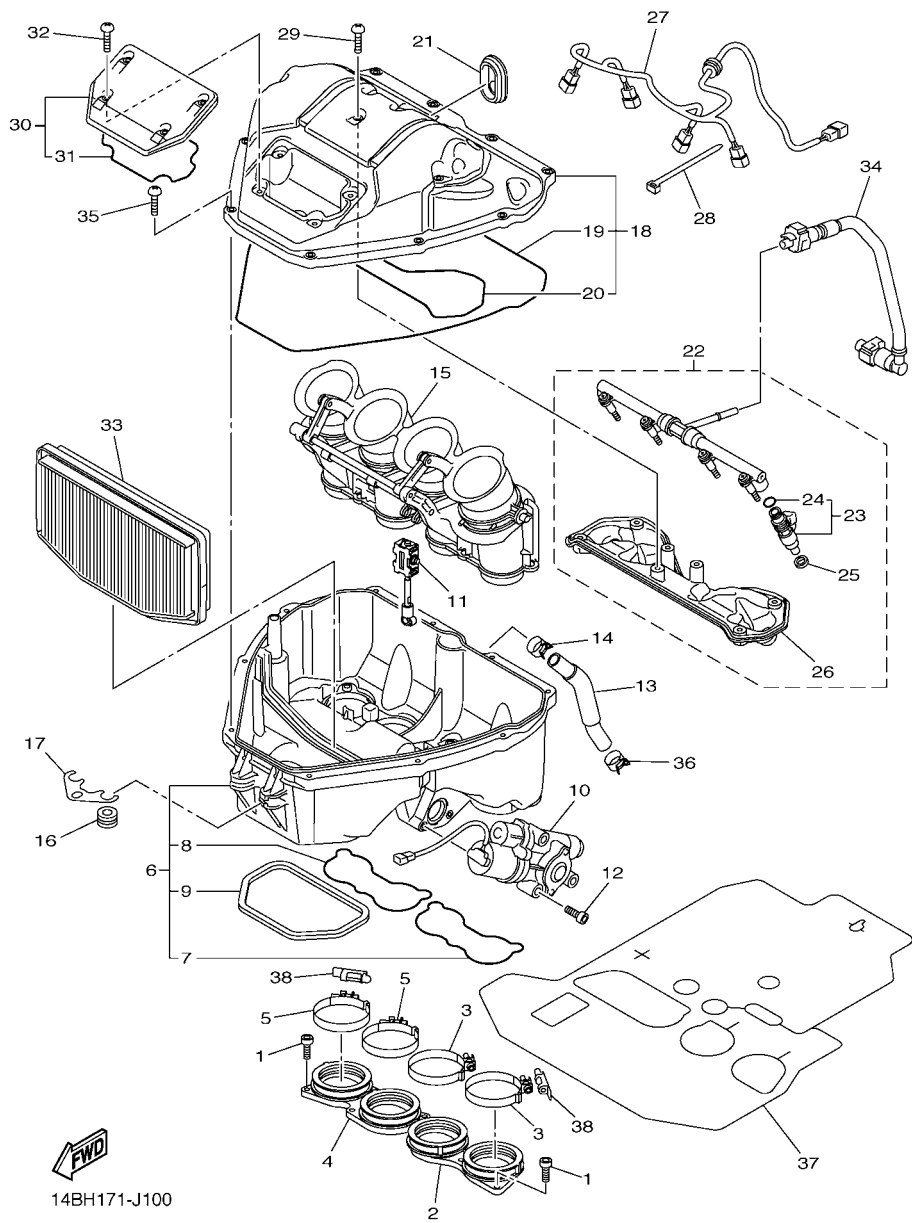


FIG. 10 INTAKE

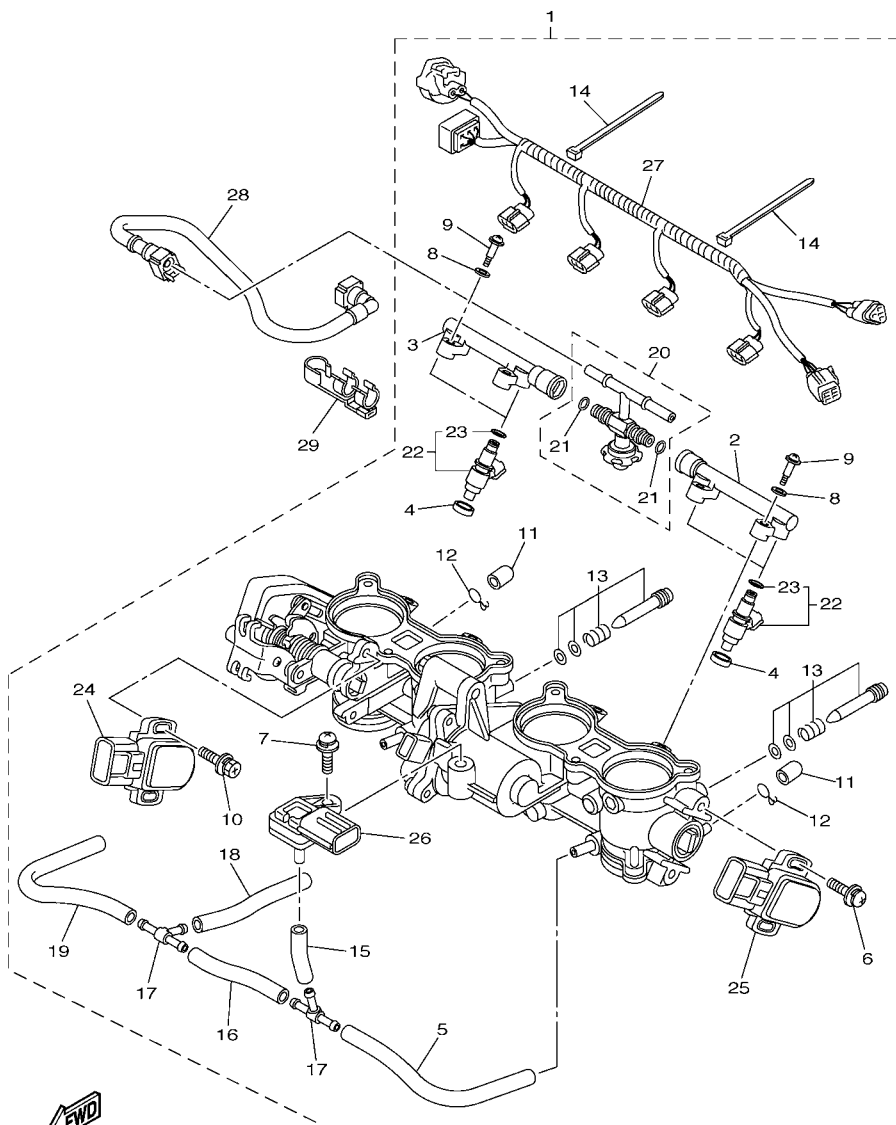
| REF. NO. | PART NO. | DESCRIPTION | TKBT | TKBU | REMARKS |
|----------|--------------|----------------------|------|------|---------|
| 28 | 90464-16061 | CLAMP | 1 | 1 | |
| 29 | 92012-05014 | BOLT, BUTTON HEAD | 7 | 7 | |
| 30 | 14B-14412-01 | CAP, CLEANER CASE 1 | 1 | 1 | |
| 31 | 14B-14467-00 | .SEAL | 1 | 1 | |
| 32 | 98902-05014 | SCREW, BIND | 4 | 4 | |
| 33 | 14B-14451-00 | ELEMENT, AIR CLEANER | 1 | 1 | |
| 34 | 14B-13972-00 | PIPE, FUEL 2 | 1 | 1 | |
| 35 | 98902-05020 | SCREW, BIND | 10 | 10 | |
| 36 | 90467-160A2 | CLIP | 1 | 1 | |
| 37 | 14B-12682-01 | PROTECTOR, HEAT | 1 | 1 | |
| 38 | 2C0-13881-00 | COVER 1 | 2 | 2 | |



FWD
14BH171-J100

FIG. 11 INTAKE 2

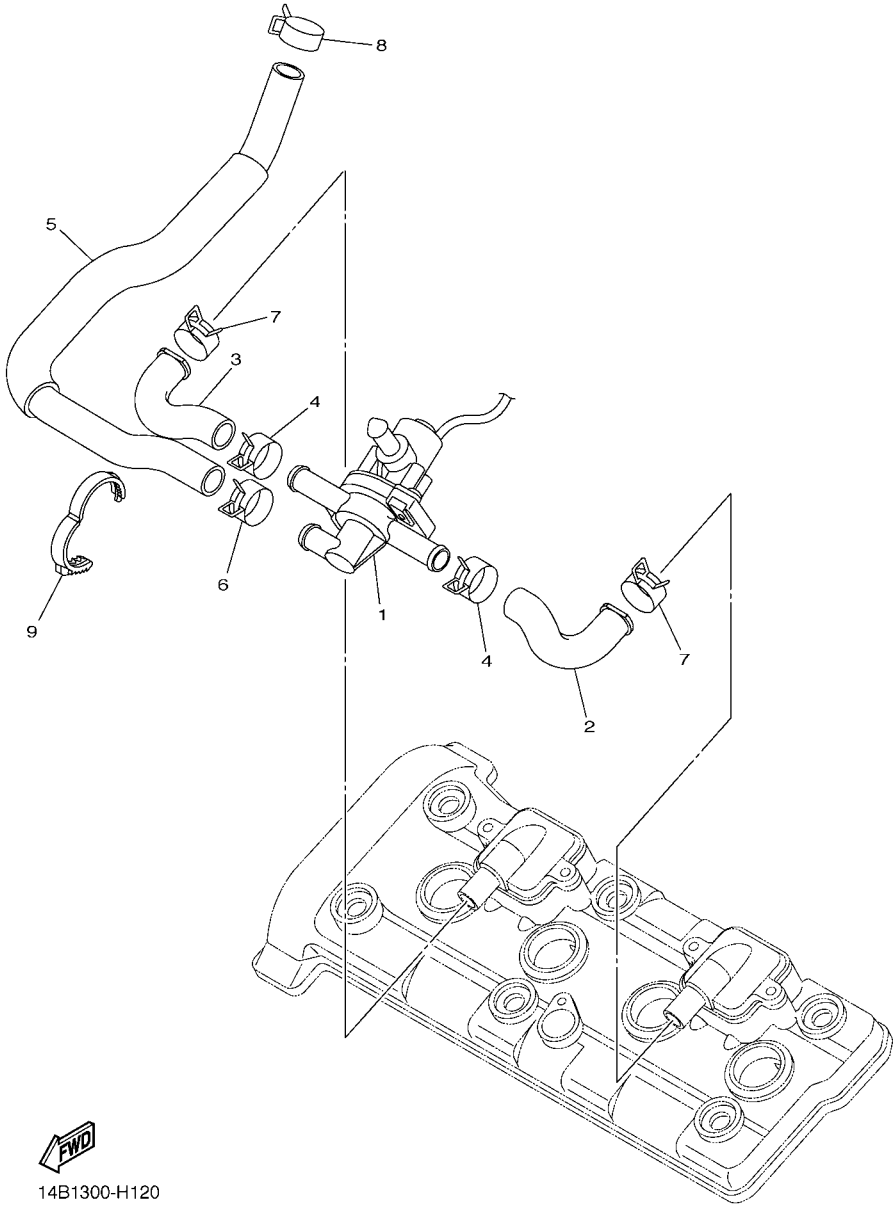
| REF. NO. | PART NO. | DESCRIPTION | TKBT | TKBU | | | REMARKS |
|----------|--------------|--------------------------|------|------|--|--|---------|
| 1 | 1KB-13750-00 | THROTTLE BODY ASSY | 1 | 1 | | | |
| 2 | 14B-1393A-00 | .PIPE, INL. | 1 | 1 | | | |
| 3 | 14B-1393B-00 | .PIPE, INL. 2 | 1 | 1 | | | |
| 4 | 8FP-13556-00 | .RUBBER, INJECTOR | 4 | 4 | | | |
| 5 | 5PW-14396-00 | .PIPE | 1 | 1 | | | |
| 6 | 8CC-14216-10 | .SCREW | 2 | 2 | | | |
| 7 | 2C0-14216-00 | .SCREW | 1 | 1 | | | |
| 8 | 363-14198-00 | .GASKET | 4 | 4 | | | |
| 9 | 14B-13573-00 | .BOLT 1 | 4 | 4 | | | |
| 10 | 5FL-14216-00 | .SCREW | 2 | 2 | | | |
| 11 | 895-14169-00 | .CAP | 4 | 4 | | | |
| 12 | 8A7-14139-00 | .CLIP, PIPE | 4 | 4 | | | |
| 13 | 2C0-14105-00 | .PILOT SCREW SET | 4 | 4 | | | |
| 14 | 4KM-14137-00 | .CLIP | 2 | 2 | | | |
| 15 | 5FL-14348-10 | .PIPE 1 | 1 | 1 | | | |
| 16 | 5JW-24311-00 | .PIPE, FUEL 1 | 1 | 1 | | | |
| 17 | 68V-24376-00 | .PIPE, JOINT 1 | 2 | 2 | | | |
| 18 | 5JW-14348-00 | .PIPE 1 | 1 | 1 | | | |
| 19 | 5PW-14349-00 | .PIPE | 1 | 1 | | | |
| 20 | 14B-13795-00 | .JOINT, THROTTLE BODY 1 | 1 | 1 | | | |
| 21 | 39P-14147-00 | ..O-RING | 2 | 2 | | | |
| 22 | 5S7-13761-00 | .INJECTOR | 4 | 4 | | | |
| 23 | 5PS-14147-00 | ..O-RING | 1 | 1 | | | |
| 24 | 13S-85884-00 | .ACCELERATOR SENSOR ASSY | 1 | 1 | | | |
| 25 | 13S-85885-00 | .THROTTLE SENSOR ASSY | 1 | 1 | | | |
| 26 | 2C0-82380-00 | .SENSOR, PRESSURE | 1 | 1 | | | |
| 27 | 1KB-82386-00 | .EXTENSION, WIRE HARNESS | 1 | 1 | | | |



1KB8300-L110

FIG. 12 AIR INDUCTION SYSTEM

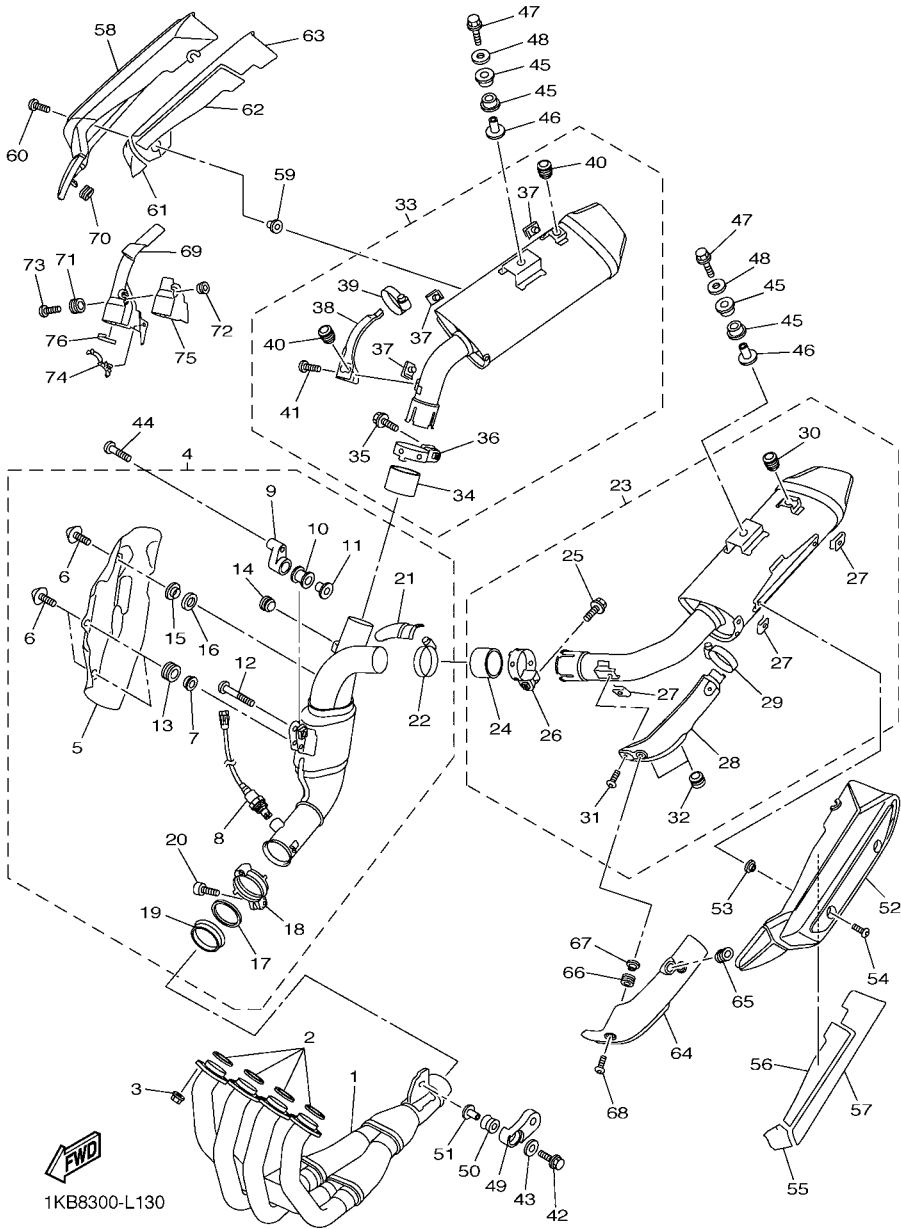
| REF. NO. | PART NO. | DESCRIPTION | TKBT | TKBU | | | | REMARKS |
|----------|--------------|--------------------|------|------|--|--|--|---------|
| 1 | 2D1-14840-00 | AIR CUT VALVE ASSY | 1 | 1 | | | | |
| 2 | 4C8-14881-01 | HOSE, BEND 1 | 1 | 1 | | | | |
| 3 | 4C8-14882-01 | HOSE, BEND 2 | 1 | 1 | | | | |
| 4 | 90467-18172 | CLIP | 2 | 2 | | | | |
| 5 | 14B-14883-00 | HOSE, BEND 3 | 1 | 1 | | | | |
| 6 | 90467-18172 | CLIP | 1 | 1 | | | | |
| 7 | 90467-180A0 | CLIP | 2 | 2 | | | | |
| 8 | 90467-17003 | CLIP | 1 | 1 | | | | |
| 9 | 90464-28003 | CLAMP | 1 | 1 | | | | |
| ----- | | | | | | | | |
| ----- | | | | | | | | |
| ----- | | | | | | | | |
| ----- | | | | | | | | |
| ----- | | | | | | | | |
| ----- | | | | | | | | |
| ----- | | | | | | | | |
| ----- | | | | | | | | |
| ----- | | | | | | | | |
| ----- | | | | | | | | |
| ----- | | | | | | | | |



14B1300-H120

FIG. 13 EXHAUST

| REF. NO. | PART NO. | DESCRIPTION | TKBT | TKBU | REMARKS |
|----------|--------------|----------------------------|------|------|---------|
| 1 | 14B-14602-00 | EXHAUST PIPE COMP. | 1 | 1 | |
| 2 | 4FM-14613-00 | GASKET, EXHAUST PIPE | 4 | 4 | |
| 3 | 90179-08410 | NUT | 8 | 8 | |
| 4 | 14B-14740-10 | CATALYST ASSY. | 1 | 1 | |
| 5 | 14B-14738-00 | .PROTECTOR, MUFFLER 3 | 1 | 1 | |
| 6 | 90110-06200 | .BOLT, HEXAGON SOCKET HEAD | 3 | 3 | |
| 7 | 90387-06112 | .COLLAR | 2 | 2 | |
| 8 | 14B-8592A-00 | .SENSOR, OXYGEN | 1 | 1 | |
| 9 | 14B-21445-00 | .STAY, MUFFLER 1 | 1 | 1 | |
| 10 | 4XV-27424-00 | .DAMPER, MUFFLER | 1 | 1 | |
| 11 | 90387-08005 | .COLLAR | 1 | 1 | |
| 12 | 92014-08035 | .BOLT, BUTTON HEAD | 1 | 1 | |
| 13 | 90480-12579 | .GROMMET | 2 | 2 | |
| 14 | 2D1-14737-00 | .DAMPER, MUFFLER | 1 | 1 | |
| 15 | 90387-06217 | .COLLAR | 1 | 1 | |
| 16 | 90201-08080 | .WASHER, PLATE | 1 | 1 | |
| 17 | 14B-14623-00 | .GASKET, EXHAUST PIPE | 1 | 1 | |
| 18 | 14B-14725-00 | .BAND, MUFFLER | 1 | 1 | |
| 19 | 14B-14618-00 | .RING, STOPPER | 1 | 1 | |
| 20 | 90110-06343 | .BOLT, HEXAGON SOCKET HEAD | 1 | 1 | |
| 21 | 14B-1465U-00 | .PLATE, PROTECTOR 3 | 1 | 1 | |
| 22 | 90450-45001 | .HOSE CLAMP ASSY | 1 | 1 | |
| 23 | 14B-14710-30 | MUFFLER ASSY 1 | 1 | 1 | |
| 24 | 5VY-14714-00 | .GASKET, MUFFLER | 1 | 1 | |
| 25 | 95814-08035 | .BOLT, FLANGE | 1 | 1 | |
| 26 | 3D8-14715-00 | .BAND, MUFFLER | 1 | 1 | |
| 27 | 90183-060A2 | .NUT, SPRING | 3 | 3 | |



1KB8300-L130

FIG. 13 EXHAUST

| REF. NO. | PART NO. | DESCRIPTION | TKBT | TKBU | REMARKS |
|----------|--------------|-------------------------|------|------|---------|
| 28 | 14B-1465R-00 | .PLATE, PROTECTOR 1 | 1 | 1 | |
| 29 | 90450-45001 | .HOSE CLAMP ASSY | 1 | 1 | |
| 30 | 3D7-14737-00 | .DAMPER, MUFFLER | 1 | 1 | |
| 31 | 92012-06010 | .BOLT, BUTTON HEAD | 1 | 1 | |
| 32 | 4FM-24181-00 | .DAMPER, LOCATING 1 | 2 | 2 | |
| 33 | 14B-14720-30 | MUFFLER ASSY 2 | 1 | 1 | |
| 34 | 5VY-14714-00 | .GASKET, MUFFLER | 1 | 1 | |
| 35 | 95814-08035 | .BOLT, FLANGE | 1 | 1 | |
| 36 | 3D8-14715-00 | .BAND, MUFFLER | 1 | 1 | |
| 37 | 90183-060A2 | .NUT, SPRING | 3 | 3 | |
| 38 | 14B-1465T-00 | .PLATE, PROTECTOR 2 | 1 | 1 | |
| 39 | 90450-45001 | .HOSE CLAMP ASSY | 1 | 1 | |
| 40 | 3D7-14737-00 | .DAMPER, MUFFLER | 2 | 2 | |
| 41 | 92012-06010 | .BOLT, BUTTON HEAD | 1 | 1 | |
| 42 | 95812-08040 | BOLT, FLANGE | 1 | 1 | |
| 43 | 90201-087G2 | WASHER, PLATE | 1 | 1 | |
| 44 | 90111-08071 | BOLT,HEX. SOCKET BUTTON | 1 | 1 | |
| 45 | 14B-27424-00 | DAMPER, FOOTREST 2 | 4 | 4 | |
| 46 | 90387-08039 | COLLAR | 2 | 2 | |
| 47 | 95812-08045 | BOLT, FLANGE | 2 | 2 | |
| 48 | 90201-08082 | WASHER, PLATE | 2 | 2 | |
| 49 | 14B-21446-00 | STAY, MUFFLER 2 | 1 | 1 | |
| 50 | 5VY-14747-00 | DAMPER, MUFFLER | 1 | 1 | |
| 51 | 90387-08021 | COLLAR | 1 | 1 | |
| 52 | 1KB-14718-00 | PROTECTOR, MUFFLER 1 | 1 | 1 | |
| 53 | 90387-06170 | COLLAR | 2 | 2 | |
| 54 | 90111-06127 | BOLT,HEX. SOCKET BUTTON | 2 | 2 | |

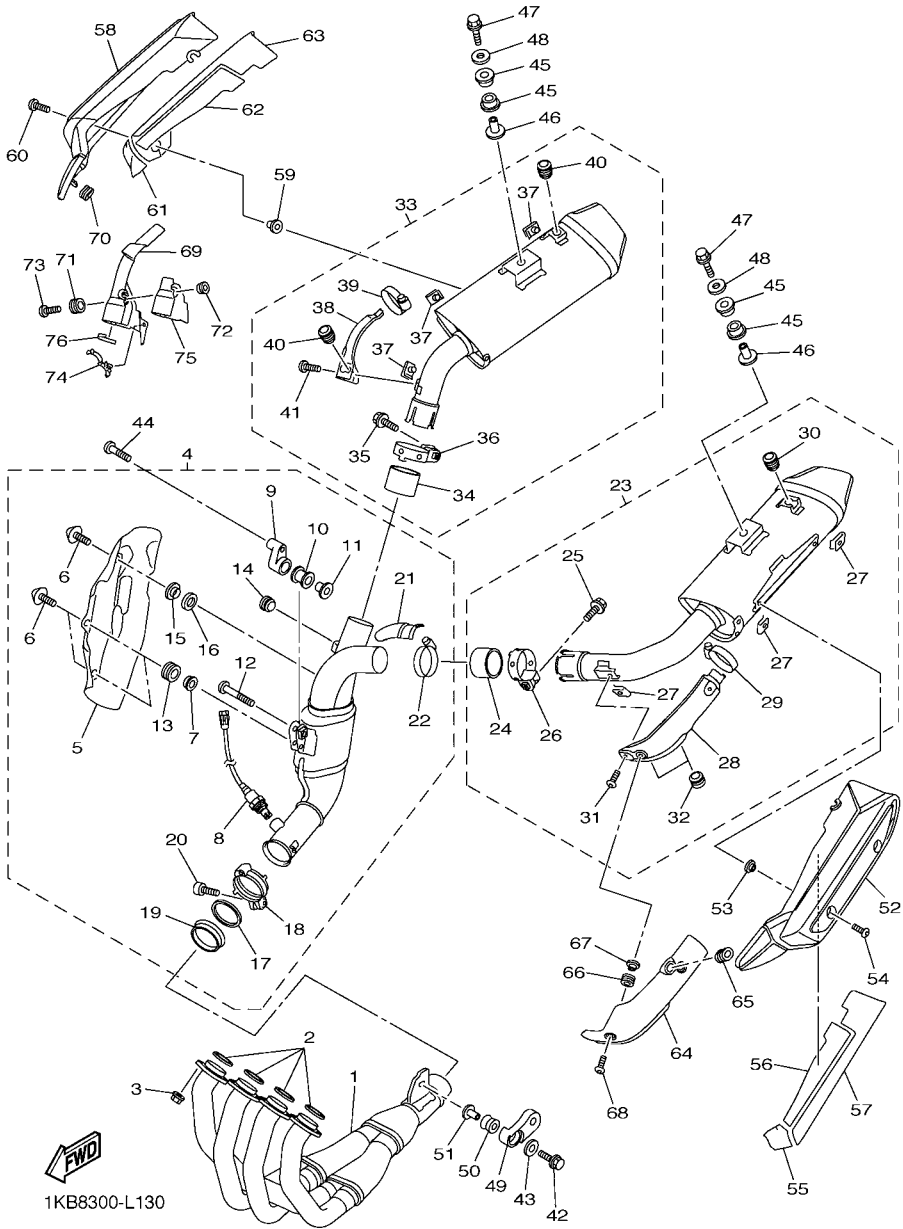
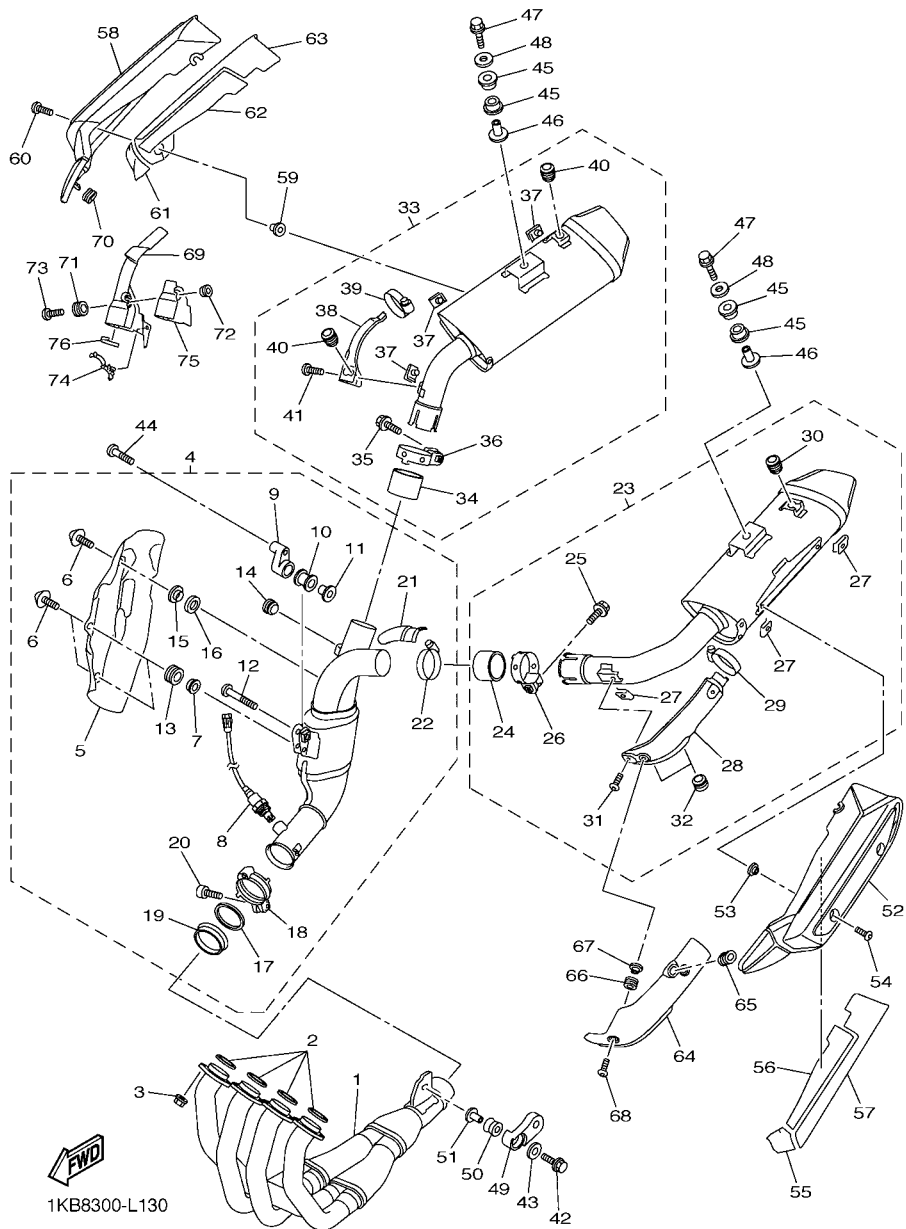
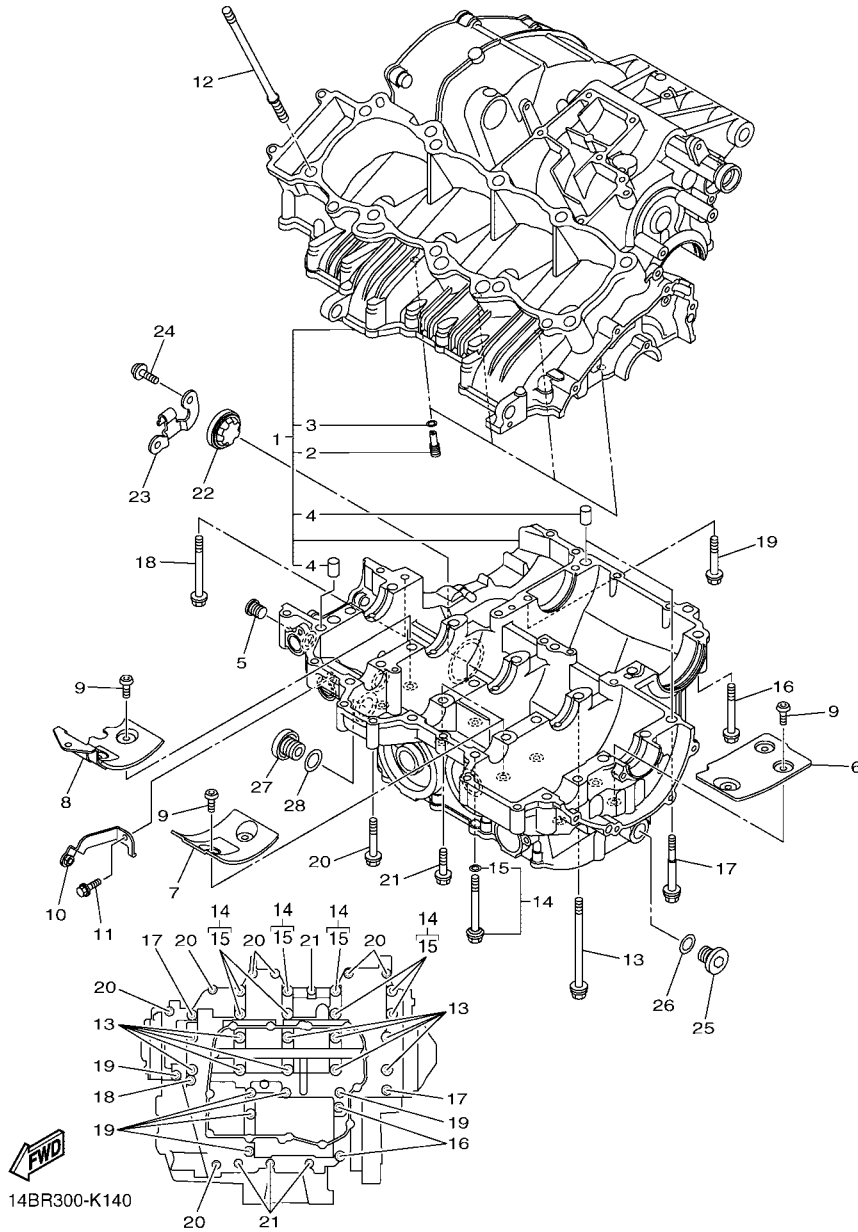


FIG. 13 EXHAUST

| REF. NO. | PART NO. | DESCRIPTION | 1KBT | 1KBU | | | REMARKS |
|----------|--------------|-------------------------|------|------|--|--|---------|
| 55 | 1KB-27498-00 | SEAT 1 | 1 | 1 | | | |
| 56 | 1KB-27499-00 | SEAT 2 | 1 | 1 | | | |
| 57 | 1KB-2749A-00 | SEAT 3 | 1 | 1 | | | |
| 58 | 1KB-14728-00 | PROTECTOR, MUFFLER 2 | 1 | 1 | | | |
| 59 | 90387-06170 | COLLAR | 2 | 2 | | | |
| 60 | 90111-06127 | BOLT,HEX. SOCKET BUTTON | 2 | 2 | | | |
| 61 | 1KB-2749B-00 | SEAT 4 | 1 | 1 | | | |
| 62 | 1KB-2749C-00 | SEAT 5 | 1 | 1 | | | |
| 63 | 1KB-2749D-00 | SEAT 6 | 1 | 1 | | | |
| 64 | 14B-2163E-00 | COVER, REAR FENDER 2 | 1 | 1 | | | |
| 65 | 90480-01558 | GROMMET | 1 | 1 | | | |
| 66 | 90480-12581 | GROMMET | 2 | 2 | | | |
| 67 | 90387-087L0 | COLLAR | 2 | 2 | | | |
| 68 | 90111-06095 | BOLT,HEX. SOCKET BUTTON | 2 | 2 | | | |
| 69 | 14B-2163F-00 | COVER, REAR FENDER 3 | 1 | 1 | | | |
| 70 | 90480-01558 | GROMMET | 1 | 1 | | | |
| 71 | 90480-12581 | GROMMET | 2 | 2 | | | |
| 72 | 90387-087L0 | COLLAR | 2 | 2 | | | |
| 73 | 90111-06095 | BOLT,HEX. SOCKET BUTTON | 2 | 2 | | | |
| 74 | 90464-16006 | CLAMP | 1 | 1 | | | |
| 75 | 14B-1478P-00 | SEAT | 1 | 1 | | | |
| 76 | 14B-1479P-00 | SEAT 5 | 1 | 1 | | | |



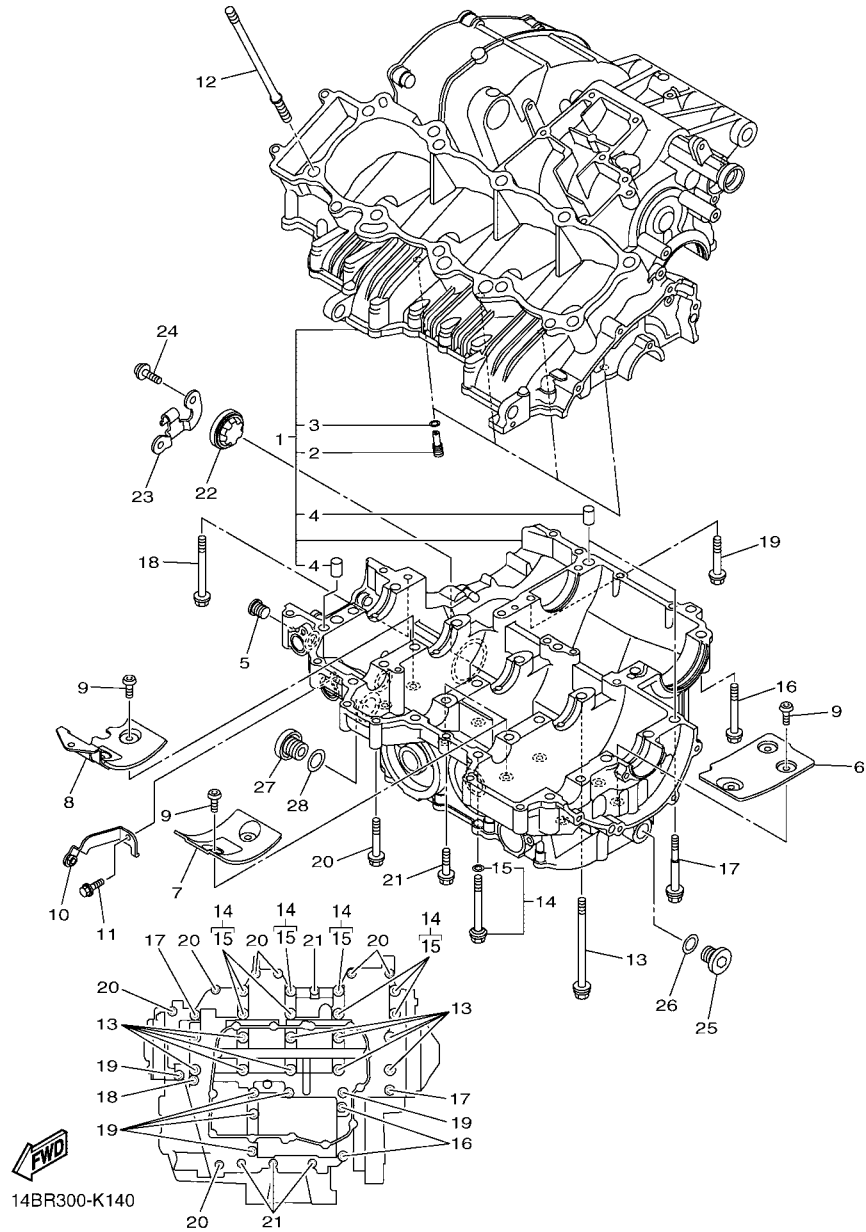


14BR300-K140

FIG. 14 CRANKCASE

| REF. NO. | PART NO. | DESCRIPTION | TKBT | TKBU | REMARKS |
|----------|--------------|---------------------------|------|------|---------|
| 1 | 14B-15100-08 | CRANKCASE ASSY | 1 | 1 | |
| 2 | 5EB-15155-00 | .NOZZLE 3 | 4 | 4 | |
| 3 | 93210-04092 | .O-RING | 4 | 4 | |
| 4 | 99530-10014 | .PIN, DOWEL | 3 | 3 | |
| 5 | 90340-12003 | PLUG, STRAIGHT SCREW | 1 | 1 | |
| 6 | 14B-15123-00 | PLATE, BAFFLE 1 | 1 | 1 | |
| 7 | 14B-15124-00 | PLATE, BAFFLE 2 | 2 | 2 | |
| 8 | 14B-15133-00 | PLATE, BAFFLE 3 | 1 | 1 | |
| 9 | 90149-06082 | SCREW | 10 | 10 | |
| 10 | 14B-28322-00 | STAY 2 | 1 | 1 | |
| 11 | 90105-06181 | BOLT, FLANGE | 1 | 1 | |
| 12 | 90116-10051 | BOLT, STUD | 10 | 10 | |
| 13 | 90119-09010 | BOLT, WITH WASHER | 10 | 10 | |
| 14 | 14B-15156-00 | BOLT, CRANKCASE JOURNAL | 8 | 8 | |
| 15 | 93210-07540 | .O-RING | 1 | 1 | |
| 16 | 95812-08060 | BOLT, FLANGE | 2 | 2 | |
| 17 | 90109-06100 | BOLT | 2 | 2 | |
| 18 | 90105-06165 | BOLT, FLANGE | 1 | 1 | |
| 19 | 95812-06060 | BOLT, FLANGE | 6 | 6 | |
| 20 | 95812-06050 | BOLT, FLANGE | 7 | 7 | |
| 21 | 95812-06040 | BOLT, FLANGE | 4 | 4 | |
| 22 | 5PW-15361-00 | GAUGE, LEVEL | 1 | 1 | |
| 23 | 14B-15441-01 | HOLDER, CLUTCH CABLE | 1 | 1 | |
| 24 | 90110-06340 | BOLT, HEXAGON SOCKET HEAD | 2 | 2 | |
| 25 | 36Y-15189-00 | PLUG | 2 | 2 | |
| 26 | 93210-16325 | O-RING | 2 | 2 | |
| 27 | 4H7-15189-00 | PLUG | 1 | 1 | |

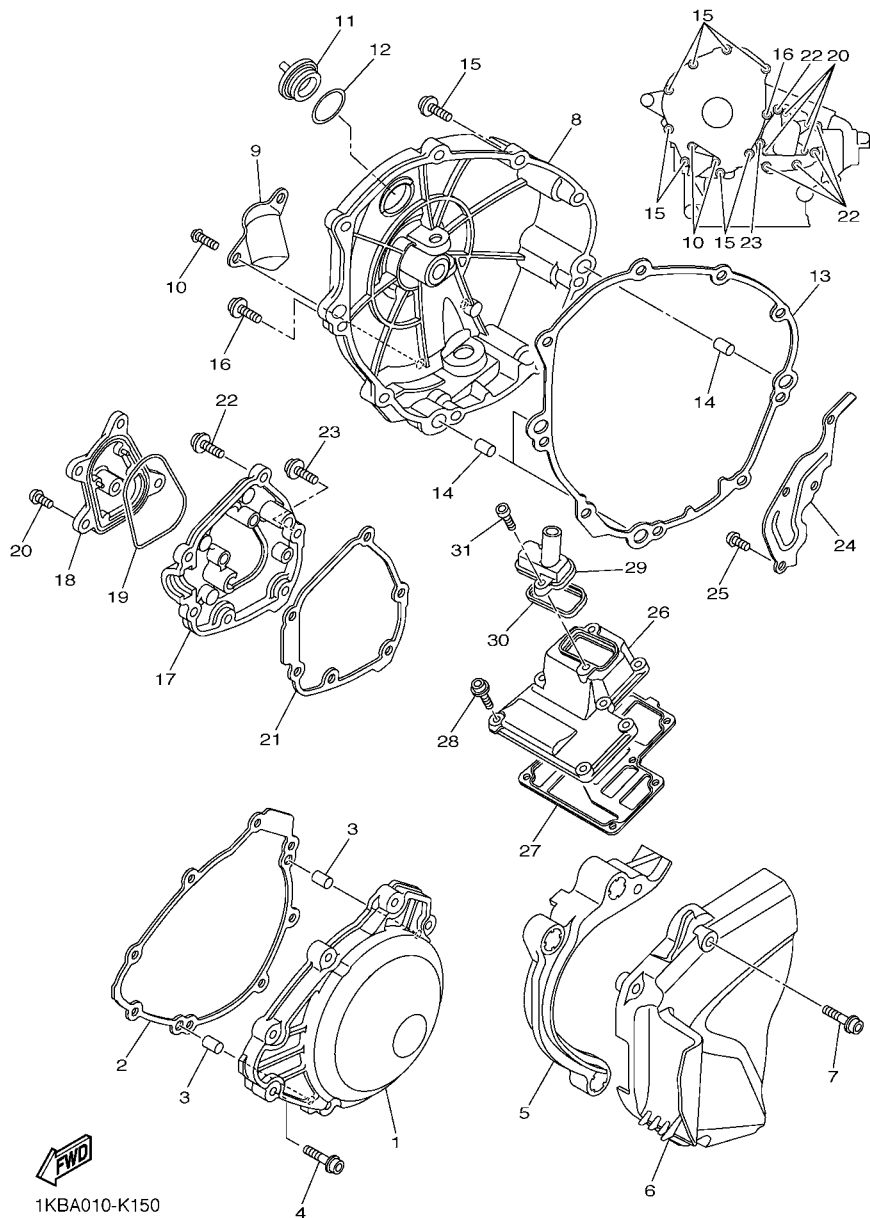
FIG. 14 CRANKCASE



| REF. NO. | PART NO. | DESCRIPTION | TKBT | TKBU | | REMARKS |
|----------|-------------|-------------|------|------|--|---------|
| 28 | 93210-207A0 | O-RING | 1 | 1 | | |
| | | | | | | |
| | | | | | | |
| | | | | | | |
| | | | | | | |
| | | | | | | |
| | | | | | | |
| | | | | | | |
| | | | | | | |
| | | | | | | |

FIG. 15 CRANKCASE COVER 1

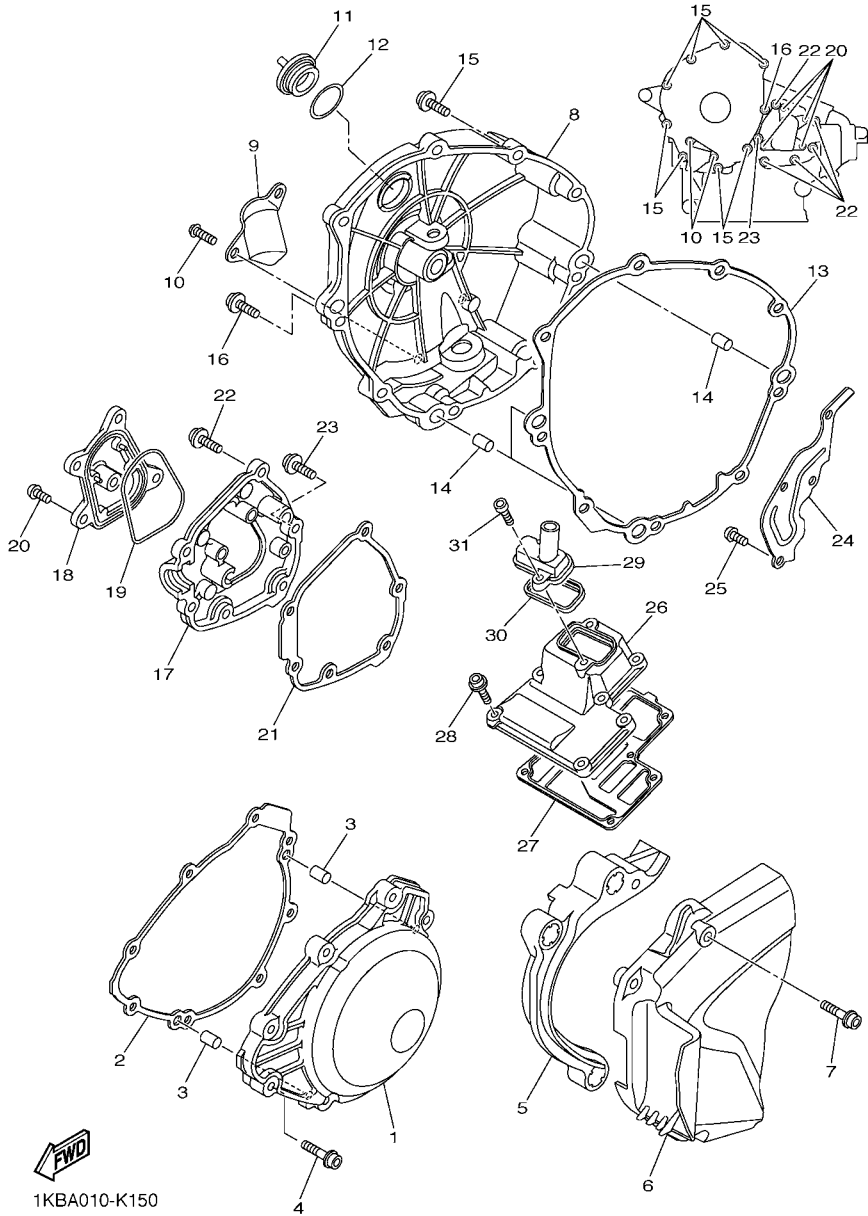
| REF. NO. | PART NO. | DESCRIPTION | TKBT | TKBU | | REMARKS |
|----------|--------------|---------------------------|------|------|--|---------|
| 1 | 14B-15411-00 | COVER, CRANKCASE 1 | 1 | 1 | | |
| 2 | 14B-15451-00 | GASKET, CRANKCASE COVER 1 | 1 | 1 | | |
| 3 | 99530-08012 | PIN, DOWEL | 2 | 2 | | |
| 4 | 90110-06387 | BOLT, HEXAGON SOCKET HEAD | 8 | 8 | | |
| 5 | 14B-15377-00 | GUIDE, INLET | 1 | 1 | | |
| 6 | 14B-15418-00 | COVER, CHAIN CASE | 1 | 1 | | |
| 7 | 90110-06338 | BOLT, HEXAGON SOCKET HEAD | 3 | 3 | | |
| 8 | 14B-15421-00 | COVER, CRANKCASE 2 | 1 | 1 | | |
| 9 | 5VY-15499-00 | PROTECTOR, COVER | 1 | 1 | | |
| 10 | 90149-06152 | SCREW | 2 | 2 | | |
| 11 | 3F9-15362-10 | PLUG, OIL LEVEL | 1 | 1 | | |
| 12 | 93210-27778 | O-RING | 1 | 1 | | |
| 13 | 14B-15461-00 | GASKET, CRANKCASE COVER 2 | 1 | 1 | | |
| 14 | 93610-20189 | PIN, DOWEL | 3 | 3 | | |
| 15 | 90110-06388 | BOLT, HEXAGON SOCKET HEAD | 8 | 8 | | |
| 16 | 90110-06324 | BOLT, HEXAGON SOCKET HEAD | 1 | 1 | | |
| 17 | 14B-15416-00 | COVER, OIL PUMP | 1 | 1 | | |
| 18 | 14B-15431-01 | COVER, CRANKCASE 3 | 1 | 1 | | |
| 19 | 93210-68001 | O-RING | 1 | 1 | | |
| 20 | 90149-06152 | SCREW | 4 | 4 | | |
| 21 | 14B-15456-00 | GASKET, OIL PUMP COVER 1 | 1 | 1 | | |
| 22 | 90110-06331 | BOLT, HEXAGON SOCKET HEAD | 5 | 5 | | |
| 23 | 90110-06388 | BOLT, HEXAGON SOCKET HEAD | 1 | 1 | | |
| 24 | 14B-11165-00 | PLATE, BREATHER | 1 | 1 | | |
| 25 | 90149-06158 | SCREW | 4 | 4 | | |
| 26 | 14B-15413-00 | COVER | 1 | 1 | | |
| 27 | 14B-15462-00 | GASKET, CRANKCASE COVER 3 | 1 | 1 | | |

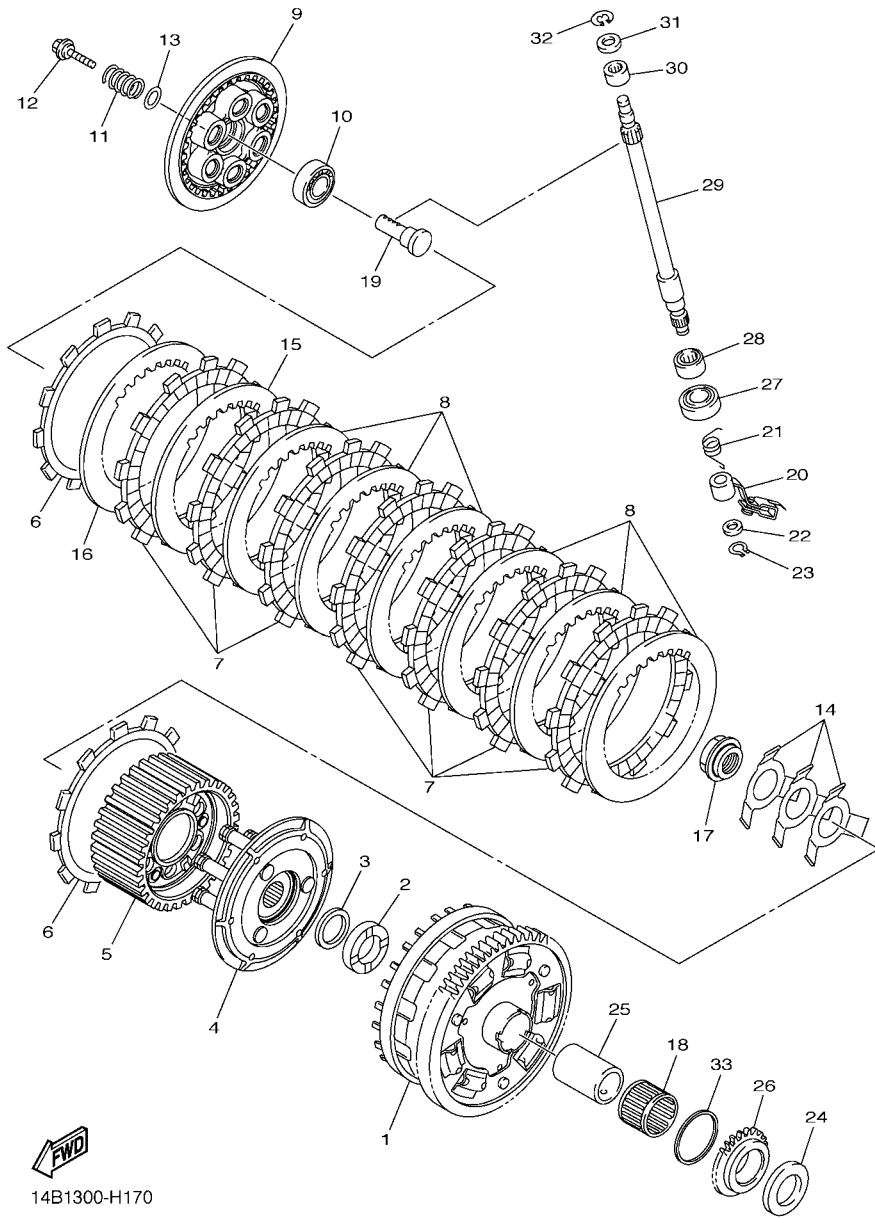


1KBA010-K150

FIG. 15 CRANKCASE COVER 1

| REF. NO. | PART NO. | DESCRIPTION | 1KBT | 1KBU | REMARKS |
|----------|--------------|---------------------------|------|------|---------|
| 28 | 90110-06387 | BOLT, HEXAGON SOCKET HEAD | 6 | 6 | |
| 29 | 14B-15423-01 | COVER 2 | 1 | 1 | |
| 30 | 14B-15379-00 | SEAL, CRANKCASE | 1 | 1 | |
| 31 | 90110-06178 | BOLT, HEXAGON SOCKET HEAD | 2 | 2 | |
| ----- | | | | | |
| ----- | | | | | |
| ----- | | | | | |
| ----- | | | | | |
| ----- | | | | | |
| ----- | | | | | |
| ----- | | | | | |
| ----- | | | | | |
| ----- | | | | | |
| ----- | | | | | |
| ----- | | | | | |
| ----- | | | | | |

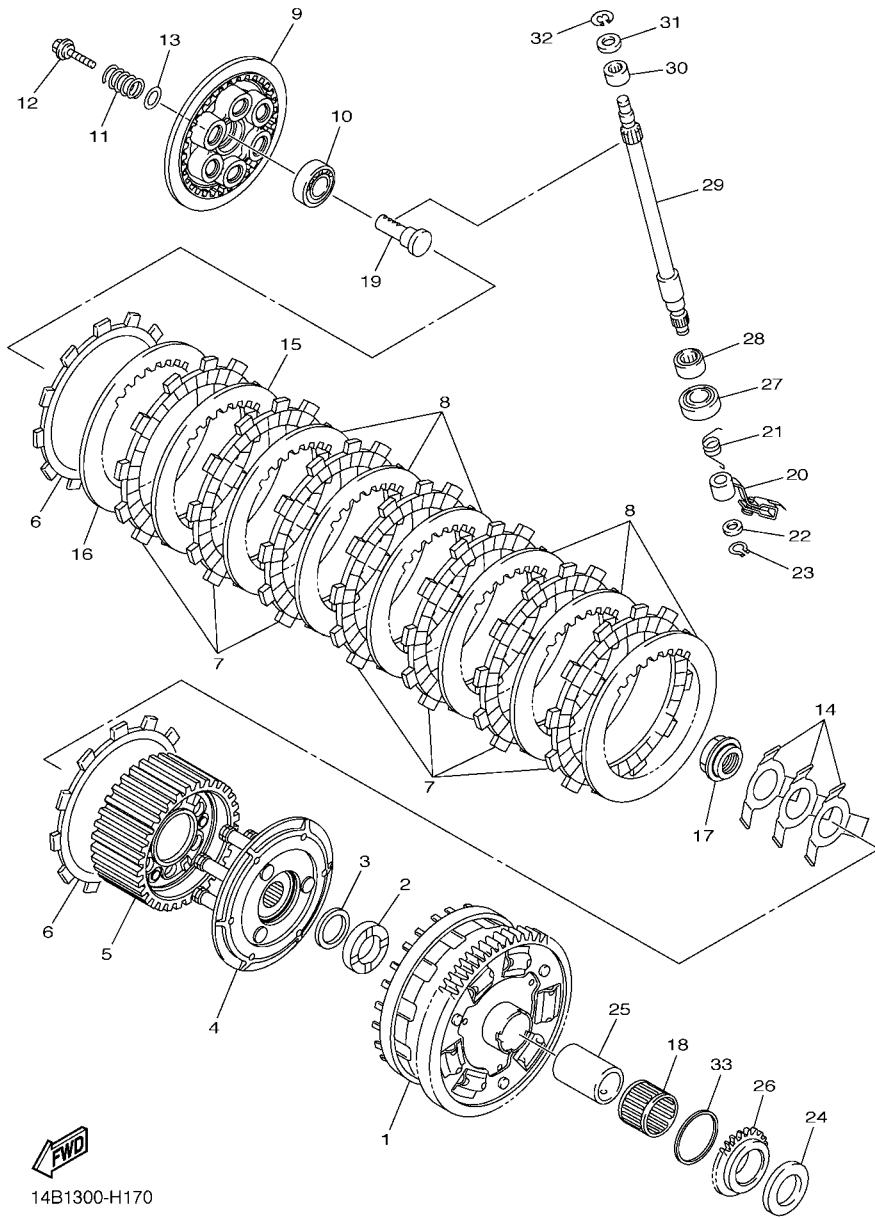




14B1300-H170

FIG. 17 CLUTCH

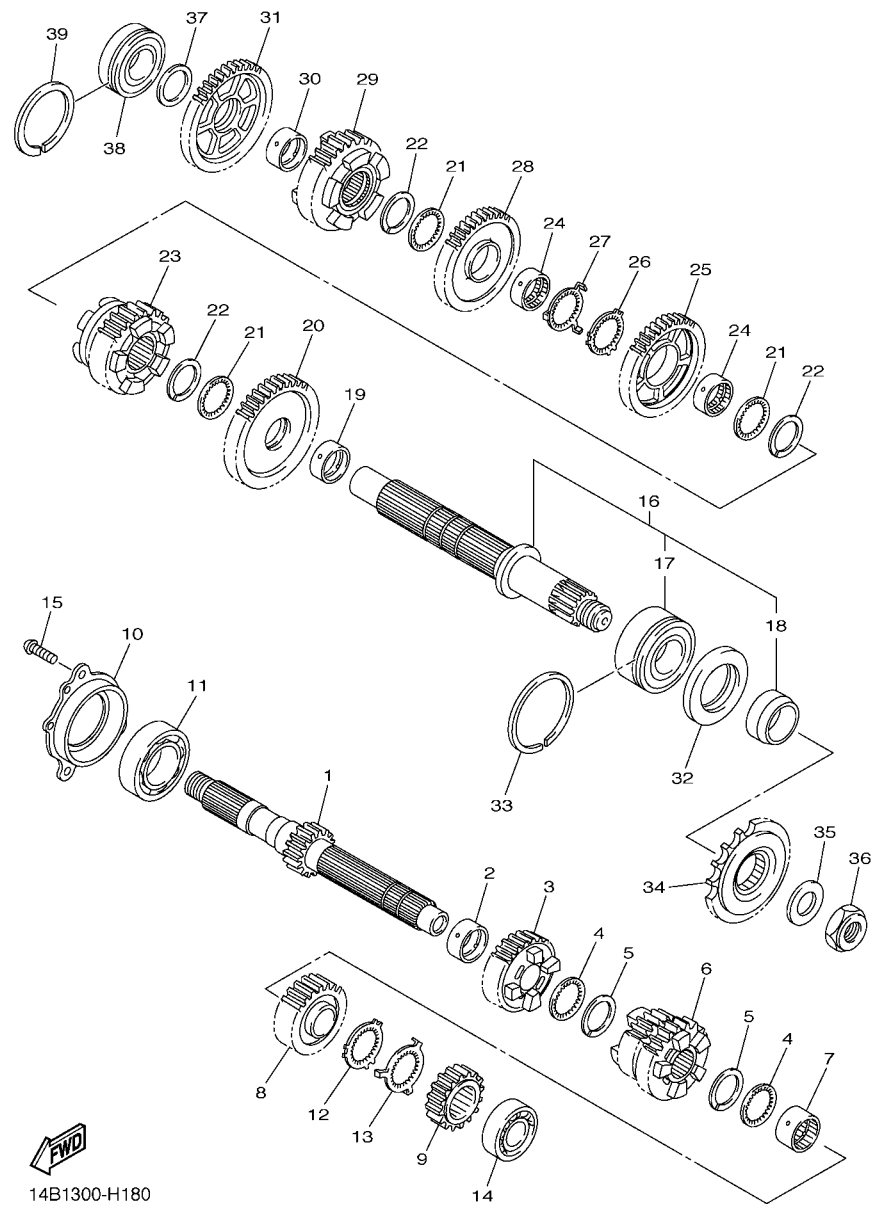
| REF. NO. | PART NO. | DESCRIPTION | TKBT | TKBU | REMARKS |
|----------|--------------|---------------------------|------|------|-----------|
| 1 | 14B-16150-20 | PRIMARY DRIVEN GEAR COMP. | 1 | 1 | |
| 2 | 4C8-16154-00 | PLATE, THRUST 1 | 1 | 1 | |
| 3 | 90208-25002 | WASHER, CONICAL SPRING | 1 | 1 | |
| 4 | 1KB-16360-00 | PRESSURE PLATE ASSY 2 | 1 | 1 | |
| 5 | 1KB-16370-10 | CLUTCH BOSS ASSY | 1 | 1 | |
| 6 | 14B-16330-00 | PLATE, FRICTION 2 | 2 | 2 | |
| 7 | 5VY-16321-00 | PLATE, FRICTION | 7 | 7 | |
| 8 | 5VY-16325-00 | PLATE, CLUTCH 2 | 6 | 6 | |
| 9 | 14B-16351-00 | PLATE, PRESSURE 1 | 1 | 1 | |
| 10 | 93306-00304 | BEARING | 1 | 1 | |
| 11 | 90501-240A2 | SPRING, COMPRESSION | 6 | 6 | |
| 12 | 90159-06026 | SCREW, WITH WASHER | 6 | 6 | |
| 13 | 14B-16384-00 | PLATE, SEAT | 6 | 6 | |
| 14 | 2S3-16539-00 | SPRING | 3 | 3 | |
| 15 | 5VY-16325-00 | PLATE, CLUTCH 2 | 1 | 1 | UR (T2.0) |
| 16 | 4B1-16325-00 | PLATE, CLUTCH 2 | 1 | 1 | UR (T2.3) |
| 17 | 4C8-16377-00 | NUT, LOCK | 1 | 1 | UR (T1.6) |
| 18 | 93310-23168 | BEARING | 1 | 1 | UR (T2.3) |
| 19 | 4XV-16356-01 | ROD, PUSH 1 | 1 | 1 | |
| 20 | 14B-16340-00 | PUSH LEVER ASSY | 1 | 1 | |
| 21 | 90508-16041 | SPRING, TORSION | 1 | 1 | |
| 22 | 90201-10029 | WASHER, PLATE | 1 | 1 | |
| 23 | 99009-10400 | CIRCLIP | 1 | 1 | |
| 24 | 363-16154-00 | PLATE, THRUST 1 | 1 | 1 | |



14B1300-H170

FIG. 17 CLUTCH

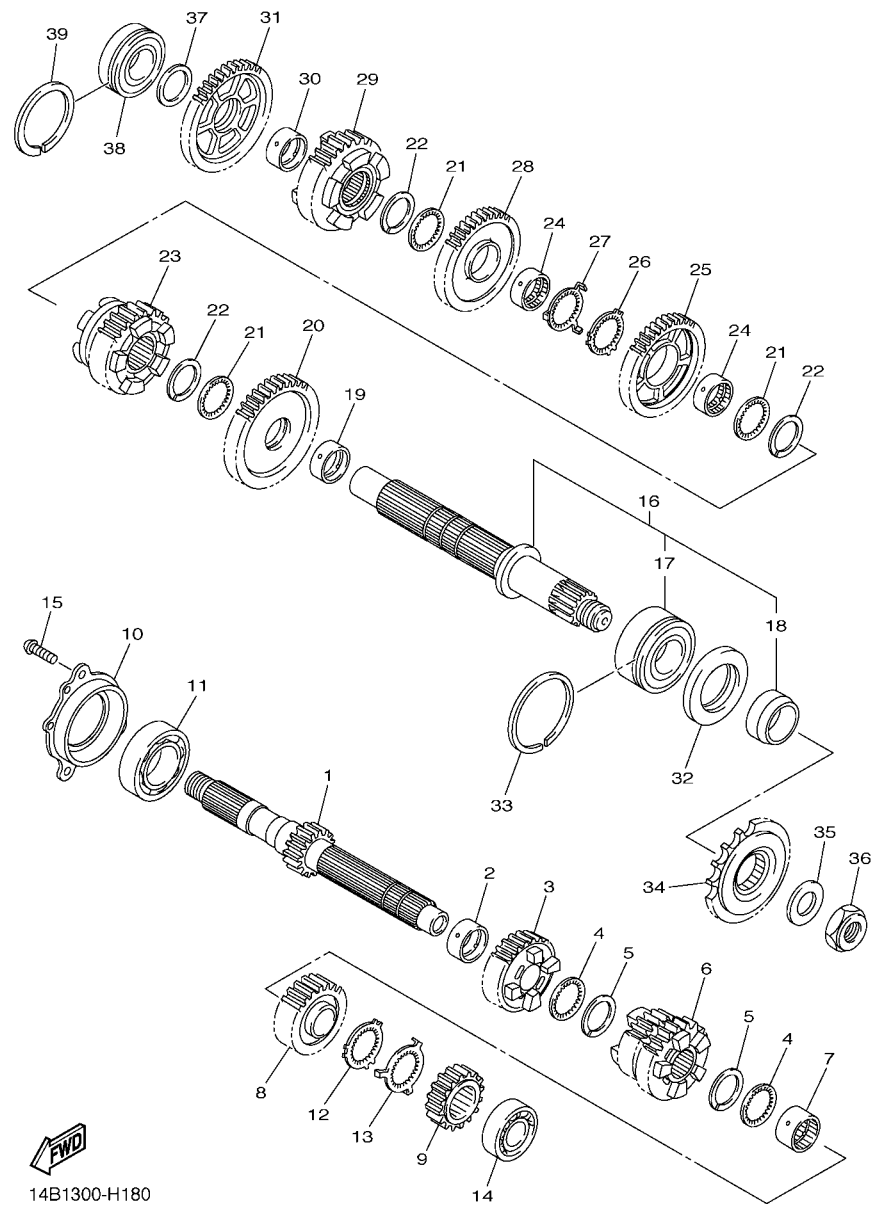
| REF. NO. | PART NO. | DESCRIPTION | TKBT | TKBU | REMARKS |
|----------|--------------|------------------|------|------|---------|
| 25 | 14B-16181-00 | SPACER 1 | 1 | 1 | |
| 26 | 14B-13354-00 | SPROCKET, DRIVE | 1 | 1 | |
| 27 | 93102-15212 | OIL SEAL | 1 | 1 | |
| 28 | 93315-21570 | BEARING | 1 | 1 | |
| 29 | 5VY-16382-10 | AXLE, PUSH LEVER | 1 | 1 | |
| 30 | 93317-11096 | BEARING | 1 | 1 | |
| 31 | 92907-08600 | WASHER, PLATE | 1 | 1 | |
| 32 | 99001-07600 | CIRCLIP | 1 | 1 | |
| 33 | 90201-44008 | WASHER, PLATE | 1 | 1 | |



14B1300-H180

FIG. 18 TRANSMISSION

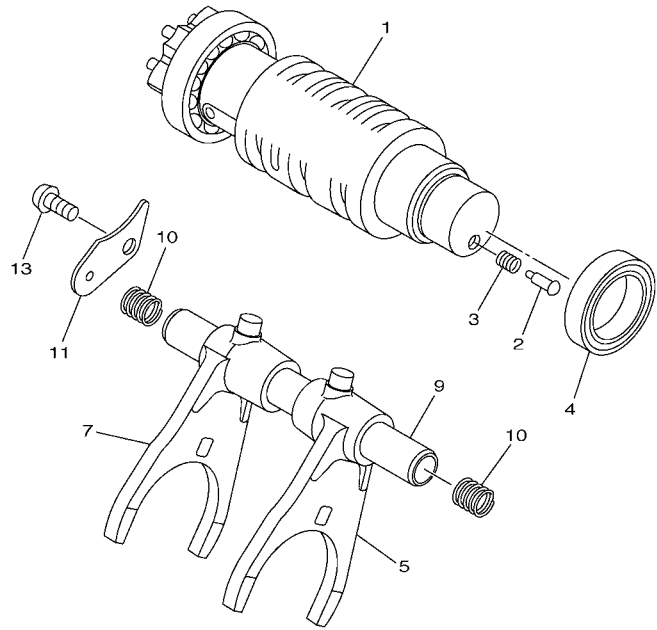
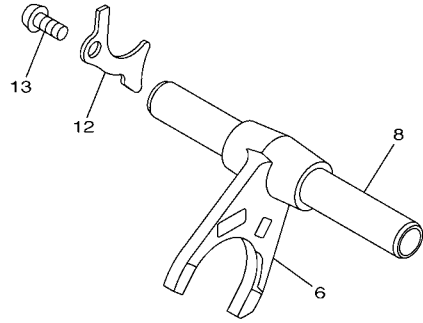
| REF. NO. | PART NO. | DESCRIPTION | 1KBT | 1KBU | REMARKS |
|----------|--------------|---------------------------|------|------|---------|
| 1 | 14B-17411-00 | AXLE, MAIN (15T) | 1 | 1 | |
| 2 | 90387-28003 | COLLAR | 1 | 1 | |
| 3 | 4C8-17151-00 | GEAR, 5TH PINION (22T) | 1 | 1 | |
| 4 | 90209-25011 | WASHER | 2 | 2 | |
| 5 | 93440-28184 | CIRCLIP | 2 | 2 | |
| 6 | 1KB-17131-00 | GEAR, 3RD PINION (21/23T) | 1 | 1 | |
| 7 | 90387-25023 | COLLAR | 1 | 1 | |
| 8 | 1KB-17161-00 | GEAR, 6TH PINION (26T) | 1 | 1 | |
| 9 | 2D1-17121-10 | GEAR, 2ND PINION (16T) | 1 | 1 | |
| 10 | 14B-15163-00 | HOUSING, BEARING 1 | 1 | 1 | |
| 11 | 93306-20652 | BEARING | 1 | 1 | |
| 12 | 90214-25004 | WASHER, CLAW | 1 | 1 | |
| 13 | 90214-25003 | WASHER, CLAW | 1 | 1 | |
| 14 | 93306-27209 | BEARING | 1 | 1 | |
| 15 | 90149-06082 | SCREW | 3 | 3 | |
| 16 | 1KB-17402-00 | DRIVE AXLE ASSY | 1 | 1 | |
| 17 | 93305-20605 | .BEARING | 1 | 1 | |
| 18 | 90387-30012 | .COLLAR | 1 | 1 | |
| 19 | 90387-31003 | COLLAR | 1 | 1 | |
| 20 | 14B-17221-00 | GEAR, 2ND WHEEL (33T) | 1 | 1 | |
| 21 | 90209-28008 | WASHER | 3 | 3 | |
| 22 | 93440-31187 | CIRCLIP | 3 | 3 | |
| 23 | 14B-17261-00 | GEAR, 6TH WHEEL (33T) | 1 | 1 | |
| 24 | 90387-28004 | COLLAR | 2 | 2 | |
| 25 | 14B-17241-00 | GEAR, 4TH WHEEL (35T) | 1 | 1 | |
| 26 | 90214-29002 | WASHER, CLAW | 1 | 1 | |
| 27 | 90214-28002 | WASHER, CLAW | 1 | 1 | |



14B1300-H180

FIG. 18 TRANSMISSION

| REF. NO. | PART NO. | DESCRIPTION | TKBT | TKBU | REMARKS |
|----------|--------------|-----------------------|------|------|---------|
| 28 | 14B-17231-00 | GEAR, 3RD WHEEL (37T) | 1 | 1 | |
| 29 | 14B-17251-00 | GEAR, 5TH WHEEL (30T) | 1 | 1 | |
| 30 | 90387-25008 | COLLAR | 1 | 1 | |
| 31 | 5VY-17211-00 | GEAR, 1ST WHEEL (38T) | 1 | 1 | |
| 32 | 93102-40330 | OIL SEAL | 1 | 1 | |
| 33 | 93440-62032 | CIRCLIP | 1 | 1 | |
| 34 | 3C3-17460-00 | SPROCKET, DRIVE (17T) | 1 | 1 | |
| 35 | 90201-22015 | WASHER, PLATE | 1 | 1 | |
| 36 | 90179-22019 | NUT | 1 | 1 | |
| 37 | 90201-257H0 | WASHER, PLATE | 1 | 1 | |
| 38 | 93306-205A2 | BEARING | 1 | 1 | |
| 39 | 93440-52009 | CIRCLIP | 1 | 1 | |
| | | | | | |
| | | | | | |
| | | | | | |
| | | | | | |



14B1300-H190

FIG. 19 SHIFT CAM & FORK

| REF. NO. | PART NO. | DESCRIPTION | TKBT | TKBU | REMARKS |
|----------|--------------|-------------------------|------|------|---------|
| 1 | 14B-18540-00 | SHIFT CAM ASSY | 1 | 1 | |
| 2 | 3D7-18542-00 | POINT, NEUTRAL | 1 | 1 | |
| 3 | 90501-06022 | SPRING, COMPRESSION | 1 | 1 | |
| 4 | 93306-80502 | BEARING | 1 | 1 | |
| 5 | 14B-18511-00 | FORK, SHIFT 1 | 1 | 1 | |
| 6 | 14B-18512-00 | FORK, SHIFT 2 | 1 | 1 | |
| 7 | 14B-18513-00 | FORK, SHIFT 3 | 1 | 1 | |
| 8 | 14B-18531-00 | BAR, SHIFT FORK GUIDE 1 | 1 | 1 | |
| 9 | 2C0-18535-00 | BAR, SHIFT FORK GUIDE 2 | 1 | 1 | |
| 10 | 90501-080A2 | SPRING, COMPRESSION | 2 | 2 | |
| 11 | 14B-18536-00 | STOPPER, SHIFT BAR | 1 | 1 | |
| 12 | 14B-18562-00 | PLATE, STOPPER 2 | 1 | 1 | |
| 13 | 90149-06158 | SCREW | 2 | 2 | |

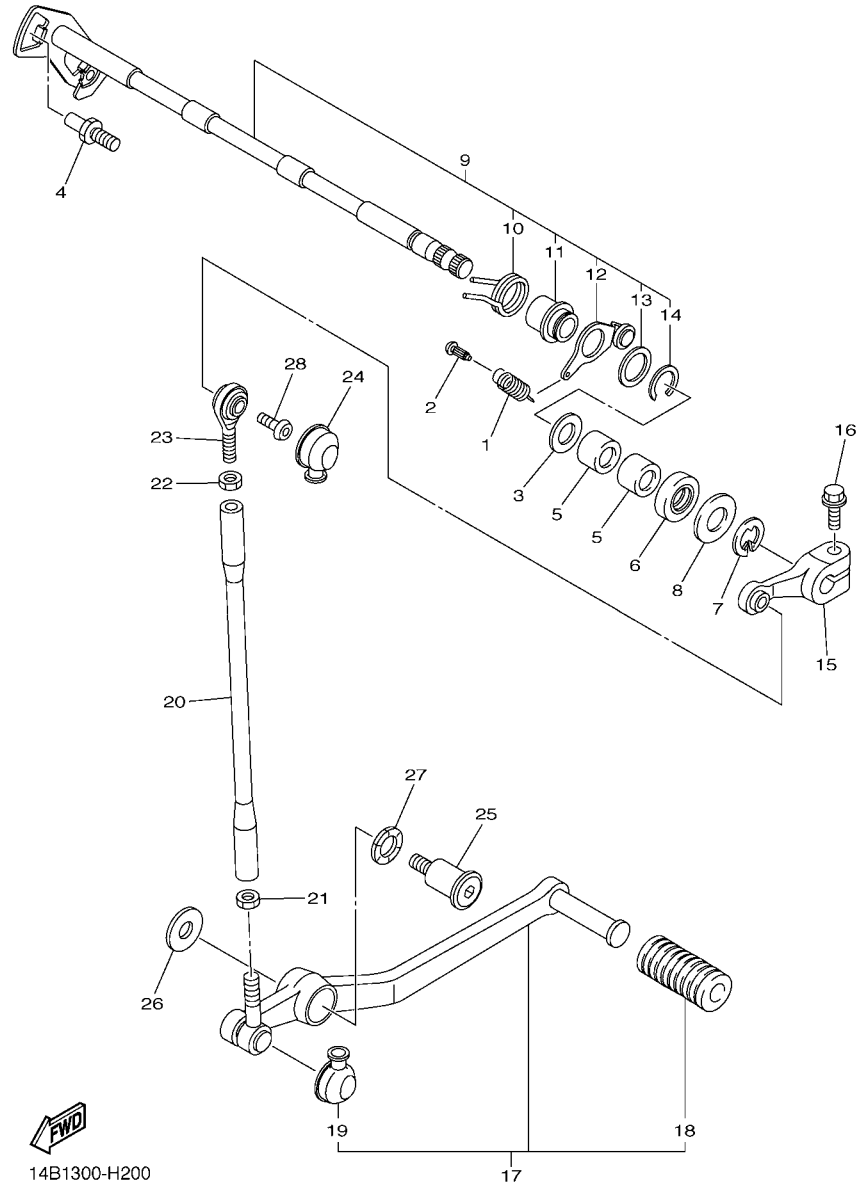


FIG. 20 SHIFT SHAFT

| REF. NO. | PART NO. | DESCRIPTION | TKBT | TKBU | | REMARKS |
|----------|--------------|--------------------------|------|------|--|---------|
| 1 | 90506-18021 | SPRING, TENSION | 1 | 1 | | |
| 2 | 132-16346-00 | HOOK, SPRING | 1 | 1 | | |
| 3 | 90201-127E1 | WASHER, PLATE | 1 | 1 | | |
| 4 | 1D7-18127-00 | STOPPER, SCREW | 1 | 1 | | |
| 5 | 93317-11295 | BEARING | 2 | 2 | | |
| 6 | 93102-12106 | OIL SEAL (SD 12-22-5 HS) | 1 | 1 | | |
| 7 | 99002-10600 | CLIP | 1 | 1 | | |
| 8 | 90201-12575 | WASHER, PLATE | 1 | 1 | | |
| 9 | 14B-18101-00 | SHIFT SHAFT ASSY | 1 | 1 | | |
| 10 | 90508-32020 | .SPRING, TORSION | 1 | 1 | | |
| 11 | 2C0-18175-00 | .SPACER | 1 | 1 | | |
| 12 | 14B-18140-00 | .STOPPER LEVER ASSY | 1 | 1 | | |
| 13 | 90201-177G4 | .WASHER, PLATE | 1 | 1 | | |
| 14 | 99009-17400 | .CIRCLIP | 1 | 1 | | |
| 15 | 5JJ-18112-20 | ARM, SHIFT | 1 | 1 | | |
| 16 | 95022-06020 | BOLT, FLANGE | 1 | 1 | | |
| 17 | 14B-18110-00 | SHIFT PEDAL ASSY | 1 | 1 | | |
| 18 | 5EB-18113-00 | .COVER, SHIFT PEDAL | 1 | 1 | | |
| 19 | 4XV-18154-00 | .COVER, DUST | 1 | 1 | | |
| 20 | 5LV-18115-10 | ROD, SHIFT | 1 | 1 | | |
| 21 | 90170-06228 | NUT(COUNTER CLOCKWISE) | 1 | 1 | | |
| 22 | 95304-06700 | NUT | 1 | 1 | | |
| 23 | 5LV-18116-00 | JOINT, ROD 1 | 1 | 1 | | |
| 24 | 4XV-18154-00 | COVER, DUST | 1 | 1 | | |
| 25 | 4C8-27434-00 | BOLT | 1 | 1 | | |
| 26 | 90201-08103 | WASHER, PLATE | 1 | 1 | | |
| 27 | 90206-14086 | WASHER, WAVE | 1 | 1 | | |

FIG. 21 FRAME

| REF. NO. | PART NO. | DESCRIPTION | TKBT | TKBU | REMARKS |
|----------|--------------|---------------------------|------|------|---------|
| 1 | 14B-21110-00 | FRAME COMP. | 1 | 1 | |
| 2 | 90105-12062 | BOLT, FLANGE | 1 | 1 | |
| 3 | 95812-12080 | BOLT, FLANGE | 1 | 1 | |
| 4 | 14B-21414-00 | BOSS, ENGINE MOUNT | 2 | 2 | |
| 5 | 14B-21424-00 | BOSS, ENGINE MOUNT | 1 | 1 | |
| 6 | 14B-2141R-00 | BOSS | 1 | 1 | |
| 7 | 90110-10024 | BOLT, HEXAGON SOCKET HEAD | 1 | 1 | |
| 8 | 90179-10028 | NUT | 1 | 1 | |
| 9 | 14B-21495-00 | BOLT, ENGINE ADJUSTING | 1 | 1 | |
| 10 | 90110-10023 | BOLT, HEXAGON SOCKET HEAD | 1 | 1 | |
| 11 | 90179-10028 | NUT | 1 | 1 | |
| 12 | 14B-21495-00 | BOLT, ENGINE ADJUSTING | 1 | 1 | |
| 13 | 14B-24121-00 | SEAT, KNEE GRIP 1 | 1 | 1 | |
| 14 | 14B-24122-00 | SEAT, KNEE GRIP 2 | 1 | 1 | |
| 15 | 14B-21190-00 | REAR FRAME COMP. | 1 | 1 | |
| 16 | 14B-21131-00 | BRACKET | 1 | 1 | |
| 17 | 90110-06163 | BOLT, HEXAGON SOCKET HEAD | 4 | 4 | |
| 18 | 1KB-Y212E-00 | REINF., FRAME RR. ASSY | 1 | 1 | |
| 19 | 90110-06163 | BOLT, HEXAGON SOCKET HEAD | 4 | 4 | |
| 20 | 1KB-211C5-00 | SCREW 1 | 4 | 4 | |
| 21 | 90338-15004 | PLUG | 1 | 1 | |
| 22 | 14B-2118N-30 | LABEL | | 1 | |
| 23 | 90269-04025 | RIVET | 1 | 1 | |
| 24 | 14B-21640-10 | REAR STAY COMP. | 1 | 1 | |
| 25 | 14B-21682-00 | STAY, PLATE | 1 | 1 | |
| 26 | 14B-2163A-00 | COVER, REAR FENDER 1 | 1 | 1 | |
| 27 | 97702-50016 | SCREW, TAPPING | 1 | 1 | |

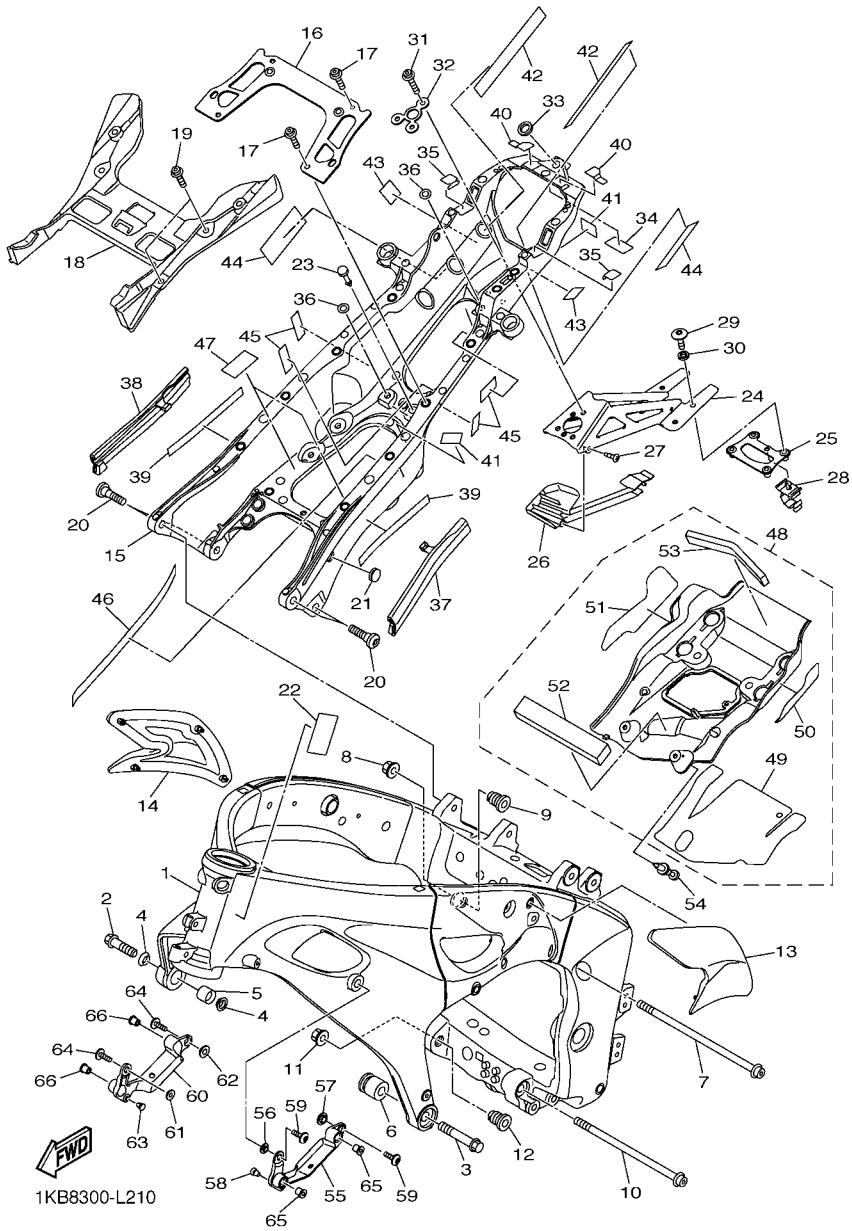


FIG. 21 FRAME

| REF. NO. | PART NO. | DESCRIPTION | TKBT | TKBU | REMARKS |
|----------|--------------|---------------------------|------|------|---------|
| 28 | 90464-14228 | CLAMP | 1 | 1 | |
| 29 | 90111-06129 | BOLT,HEX. SOCKET BUTTON | 4 | 4 | |
| 30 | 90387-061Y1 | COLLAR | 4 | 4 | |
| 31 | 90110-06156 | BOLT, HEXAGON SOCKET HEAD | 3 | 3 | |
| 32 | 14B-21615-00 | WASHER, SPECIAL 1 | 1 | 1 | |
| 33 | 13S-21746-00 | DAMPER | 1 | 1 | |
| 34 | 14B-22873-00 | SEAL 1 | 1 | 1 | |
| 35 | 14B-22874-00 | SEAL 2 | 2 | 2 | |
| 36 | 13S-2173M-00 | SEAL 3 | 2 | 2 | |
| 37 | 1KB-22876-00 | SEAL 4 | 1 | 1 | |
| 38 | 1KB-22877-00 | SEAL, 5 | 1 | 1 | |
| 39 | 13S-21567-00 | TAPE, 2 | 2 | 2 | |
| 40 | 14B-22879-00 | SEAL, 7 | 2 | 2 | |
| 41 | 14B-28425-00 | DAMPER 3 | 2 | 2 | |
| 42 | 3C5-2414H-00 | DAMPER, PLATE 1 | 2 | 2 | |
| 43 | 14B-28227-00 | DAMPER 2 | 2 | 2 | |
| 44 | 2S2-2214F-70 | DAMPER 1 | 2 | 2 | |
| 45 | 14B-28237-00 | DAMPER 3 | 4 | 4 | |
| 46 | 90520-03010 | DAMPER, PLATE | 1 | 1 | |
| 47 | 14B-28435-00 | DAMPER 4 | 2 | 2 | |
| 48 | 14B-2110N-20 | COVER ASSY 2 | 1 | 1 | |
| 49 | 14B-2112B-00 | .SEAT 1 | 1 | 1 | |
| 50 | 14B-2113C-00 | .SHEET,2 | 1 | 1 | |
| 51 | 14B-2113D-00 | .SHEET, 3 | 1 | 1 | |
| 52 | 90520-15001 | .DAMPER, PLATE | 1 | 1 | |
| 53 | 90520-15004 | .DAMPER, PLATE | 1 | 1 | |
| 54 | 90269-06016 | RIVET | 2 | 2 | |

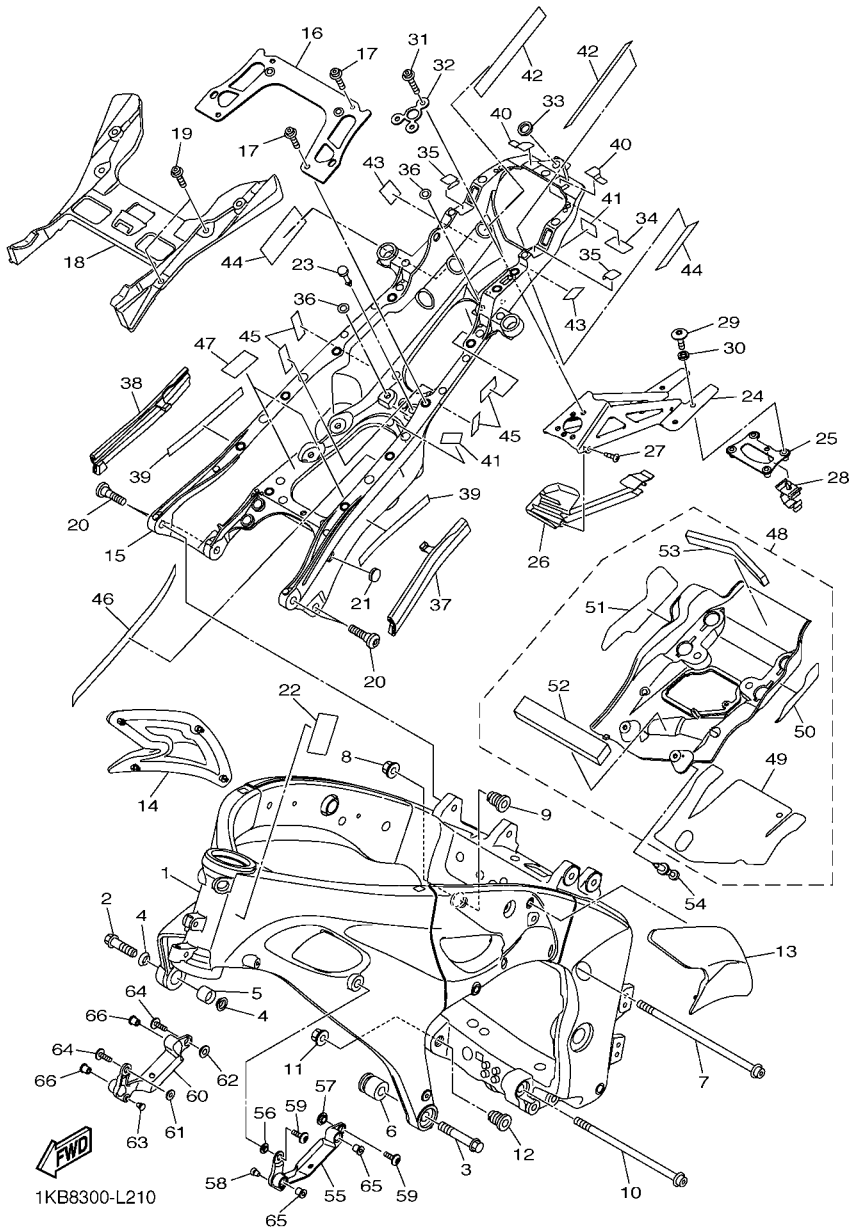
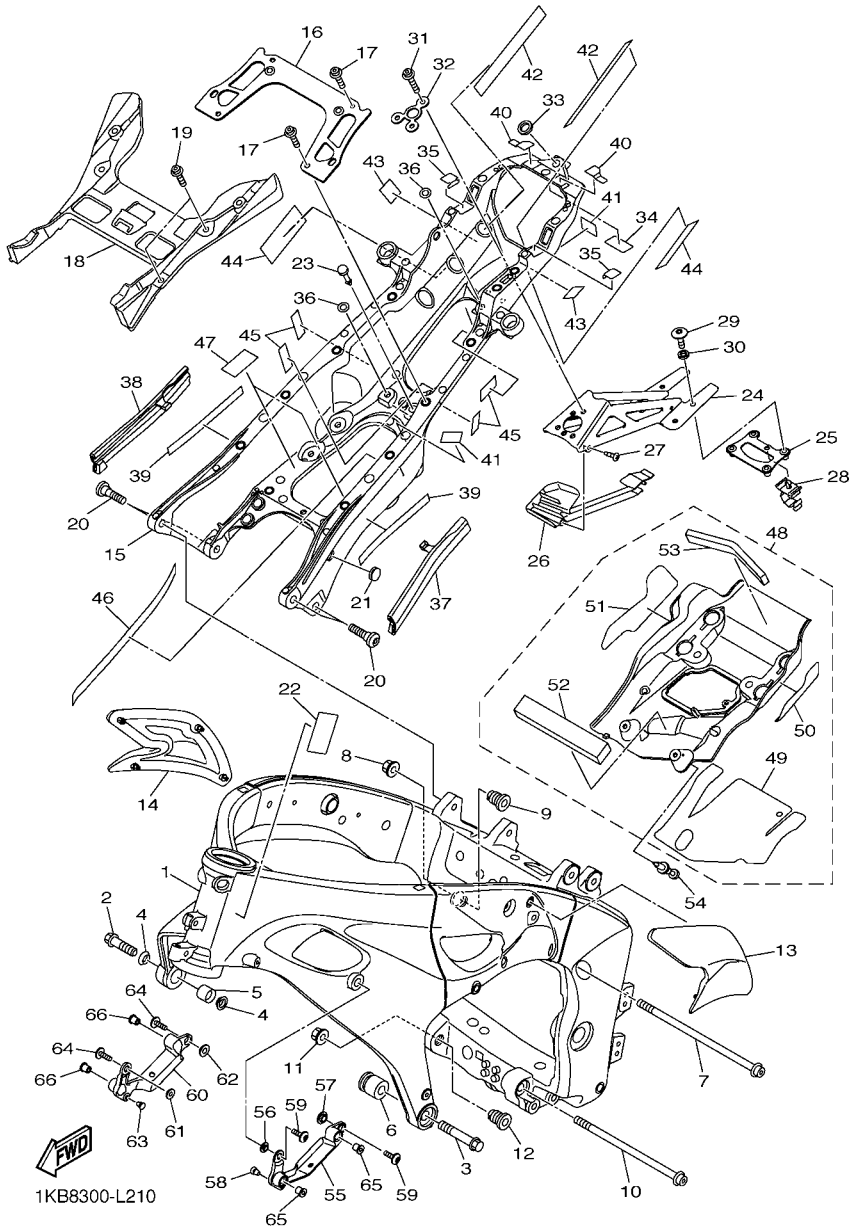
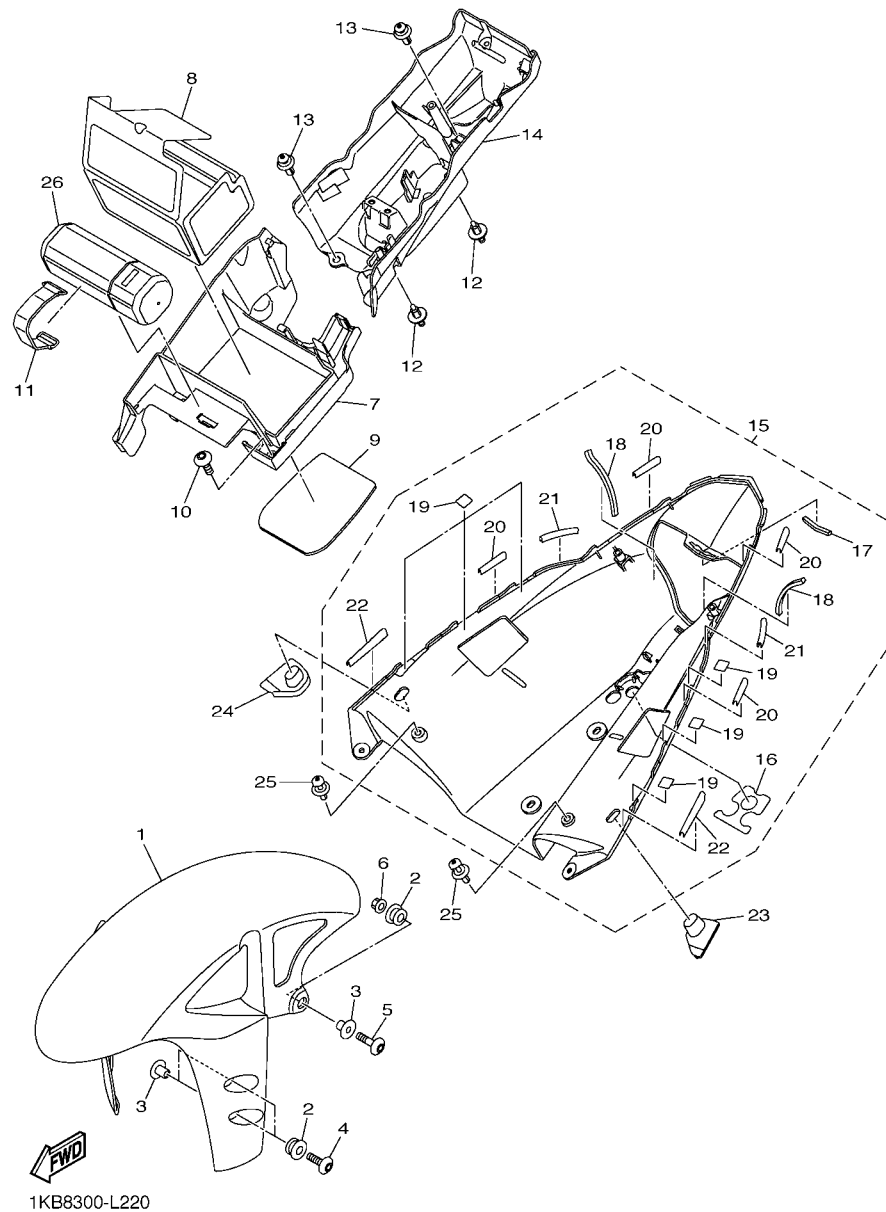


FIG. 21 FRAME

| REF. NO. | PART NO. | DESCRIPTION | TKBT | TKBU | REMARKS |
|----------|--------------|-------------------------|------|------|---------|
| 55 | 14B-2836F-00 | BRACKET 3 | 1 | 1 | |
| 56 | 90387-06217 | COLLAR | 1 | 1 | |
| 57 | 90560-08251 | SPACER | 1 | 1 | |
| 58 | 90338-06018 | PLUG | 1 | 1 | |
| 59 | 90111-06145 | BOLT,HEX. SOCKET BUTTON | 2 | 2 | |
| 60 | 14B-2836G-00 | BRACKET 4 | 1 | 1 | |
| 61 | 90387-06217 | COLLAR | 1 | 1 | |
| 62 | 90560-08251 | SPACER | 1 | 1 | |
| 63 | 90338-06018 | PLUG | 1 | 1 | |
| 64 | 90111-06145 | BOLT,HEX. SOCKET BUTTON | 2 | 2 | |
| 65 | 90179-05013 | NUT | 2 | 2 | |
| 66 | 90179-05013 | NUT | 2 | 2 | |





1KB8300-L220

FIG. 22 FENDER

| REF. NO. | PART NO. | DESCRIPTION | TKBT | TKBU | | REMARKS |
|----------|-----------------|-------------------------|------|------|--|--------------|
| 1 | 14B-21511-00-P7 | FENDER, FRONT | 1 | 1 | | UR FOR DPBMC |
| | 14B-21511-00-P5 | FENDER, FRONT | 1 | 1 | | UR FOR MNM3 |
| | 14B-21511-00-P1 | FENDER, FRONT | 1 | 1 | | UR FOR BWC1 |
| 2 | 90480-12072 | GROMMET | 6 | 6 | | |
| 3 | 90387-065J6 | COLLAR | 6 | 6 | | |
| 4 | 90111-06043 | BOLT,HEX. SOCKET BUTTON | 4 | 4 | | |
| 5 | 90111-06030 | BOLT,HEX. SOCKET BUTTON | 2 | 2 | | |
| 6 | 95702-06500 | NUT, FLANGE | 2 | 2 | | |
| 7 | 14B-8212B-00 | BOX, BATTERY 1 | 1 | 1 | | |
| 8 | 1KB-82122-00 | SEAT, BATTERY | 1 | 1 | | |
| 9 | 14B-82176-20 | DAMPER | 1 | 1 | | |
| 10 | 90149-06302 | SCREW | 2 | 2 | | |
| 11 | 5JJ-82131-00 | BAND, BATTERY | 1 | 1 | | |
| 12 | 90269-07077 | RIVET | 2 | 2 | | |
| 13 | 90269-07012 | RIVET | 2 | 2 | | |
| 14 | 14B-8212C-00 | BOX, BATTERY 2 | 1 | 1 | | |
| 15 | 14B-21600-00-P5 | REAR FENDER ASSY. | 1 | 1 | | MBL2 |
| 16 | 14B-21669-00 | .SEAL | 1 | 1 | | |
| 17 | 4GY-2174X-00 | .DAMPER | 1 | 1 | | |
| 18 | 3CV-28372-00 | .DAMPER | 2 | 2 | | |
| 19 | 4C8-21735-00 | .SEAL 2 | 6 | 6 | | |
| 20 | 5VY-21732-00 | .SEAL 1 | 4 | 4 | | |
| 21 | 5PW-21732-00 | .SEAL 1 | 2 | 2 | | |
| 22 | 14B-21732-00 | .SEAL 1 | 2 | 2 | | |
| 23 | 14B-21639-00 | DAMPER 2 | 1 | 1 | | |
| 24 | 14B-21649-00 | DAMPER | 1 | 1 | | |
| 25 | 90269-07076 | RIVET | 2 | 2 | | |

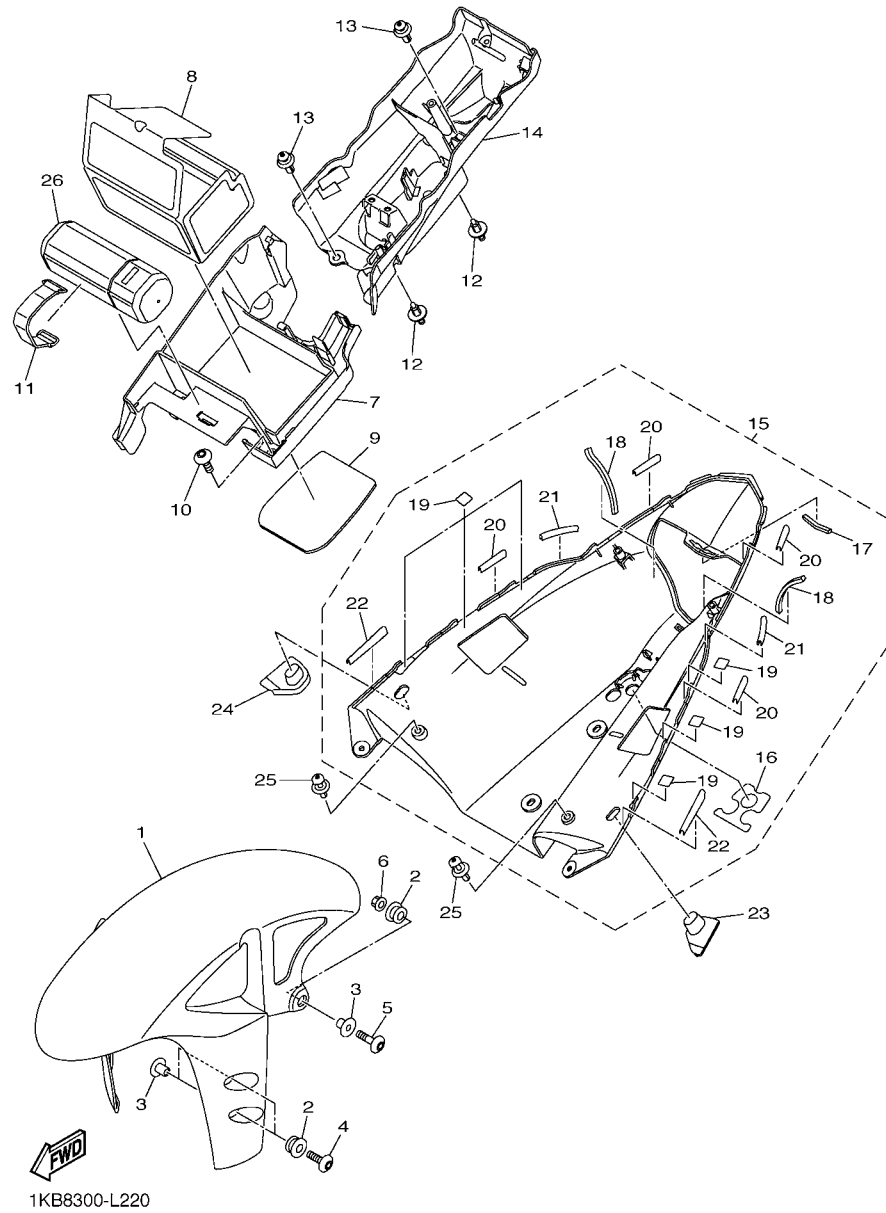
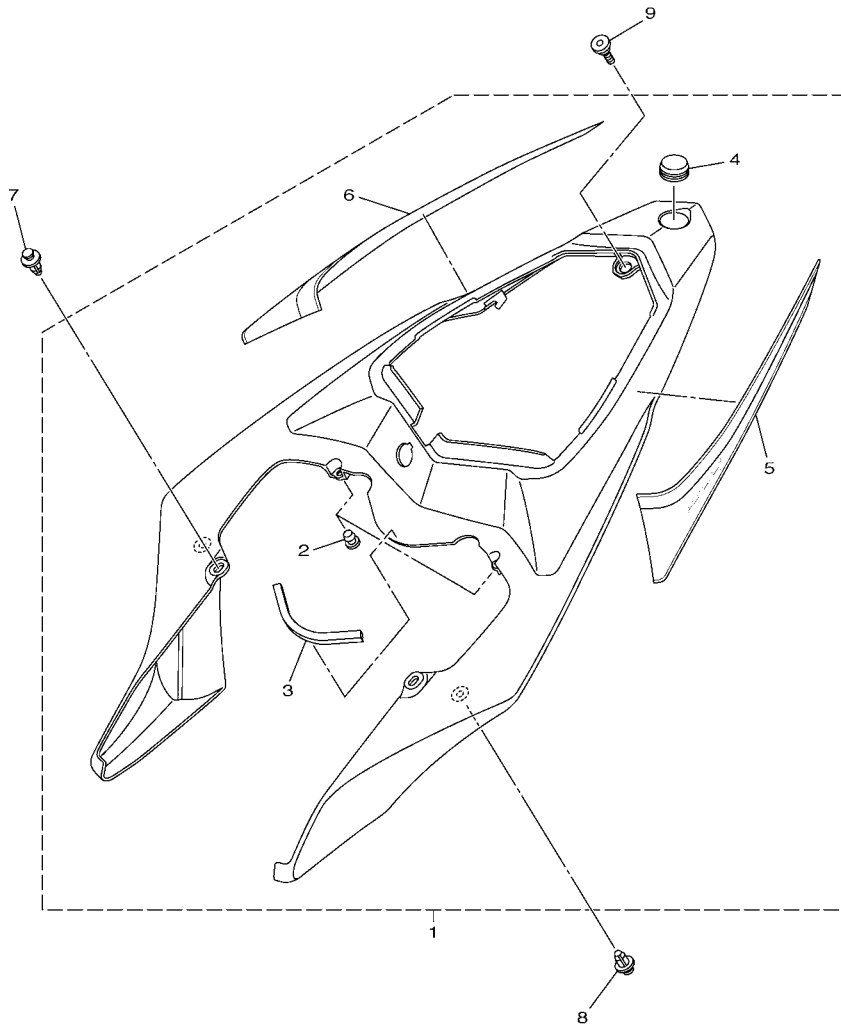


FIG. 22 FENDER

| REF. NO. | PART NO. | DESCRIPTION | 1KBT | 1KBU | | | | REMARKS |
|----------|--------------|-------------|------|------|--|--|--|---------|
| 26 | 14B-28100-00 | TOOL KIT | 1 | 1 | | | | |
| | | | | | | | | |
| | | | | | | | | |
| | | | | | | | | |
| | | | | | | | | |
| | | | | | | | | |
| | | | | | | | | |
| | | | | | | | | |
| | | | | | | | | |
| | | | | | | | | |
| | | | | | | | | |
| | | | | | | | | |
| | | | | | | | | |



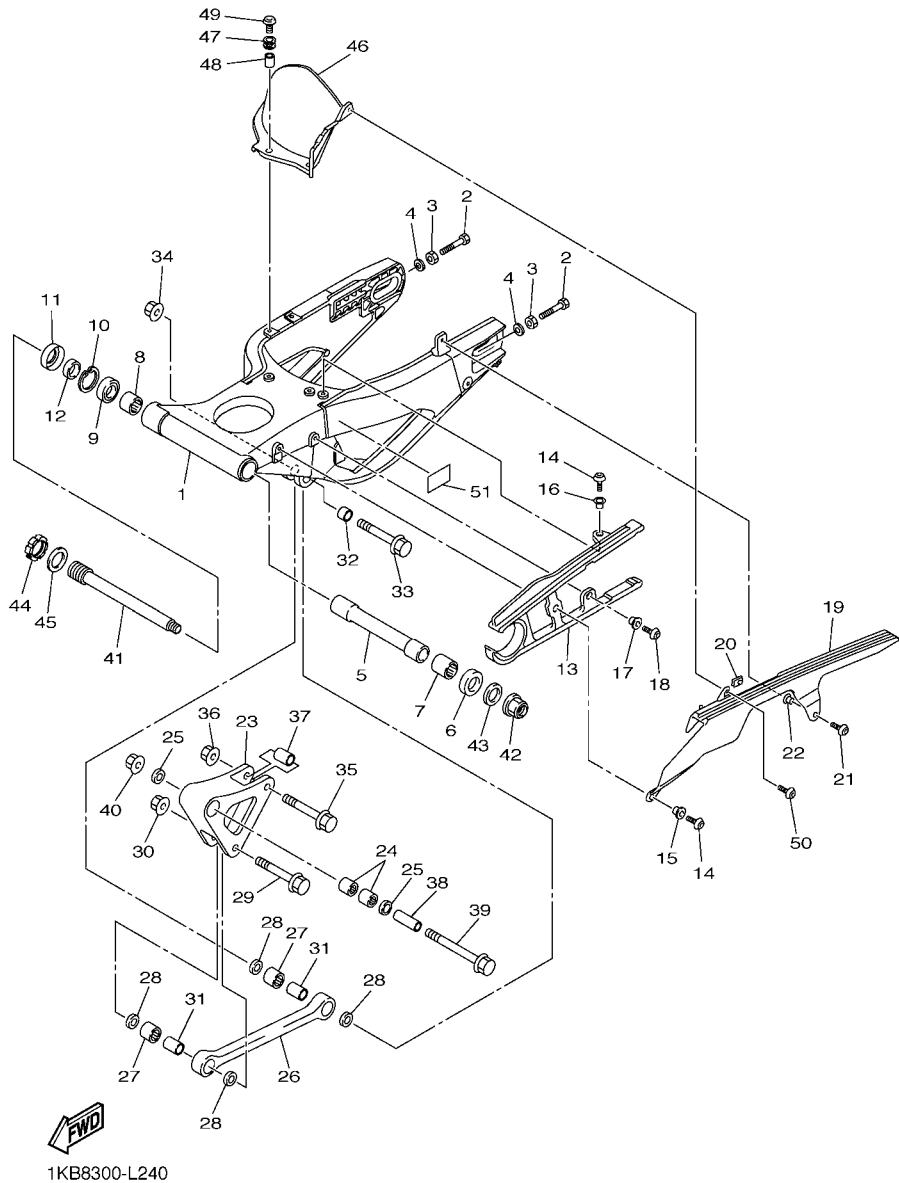
1KBT300-M230

FIG. 23 SIDE COVER

| REF. NO. | PART NO. | DESCRIPTION | 1KBT | 1KBU | | REMARKS |
|----------|-----------------|-------------------|------|------|--|--------------|
| 1 | 14B-Y2171-40-P5 | COVER, SIDE 1 | 1 | 1 | | UR FOR DPBMC |
| | 14B-21710-00-P5 | SIDE COVER ASSY 1 | 1 | 1 | | UR FOR MNM3 |
| | 14B-21710-00-P1 | SIDE COVER ASSY 1 | 1 | 1 | | UR FOR BWC1 |
| 2 | 90338-06018 | .PLUG | 2 | 2 | | |
| 3 | 4C8-21747-00 | .DAMPER | 1 | 1 | | |
| 4 | 4KN-2836B-00 | .TUNING FORK MARK | 1 | 1 | | |
| 5 | 1KB-21788-20 | .GRAPHIC | 1 | 1 | | FOR DPBMC |
| 6 | 1KB-21789-20 | .GRAPHIC | 1 | 1 | | FOR DPBMC |
| 7 | 90269-06081 | RIVET | 2 | 2 | | |
| 8 | 90269-06001 | RIVET | 2 | 2 | | |
| 9 | 90109-06248 | BOLT | 1 | 1 | | |

FIG. 24 REAR ARM

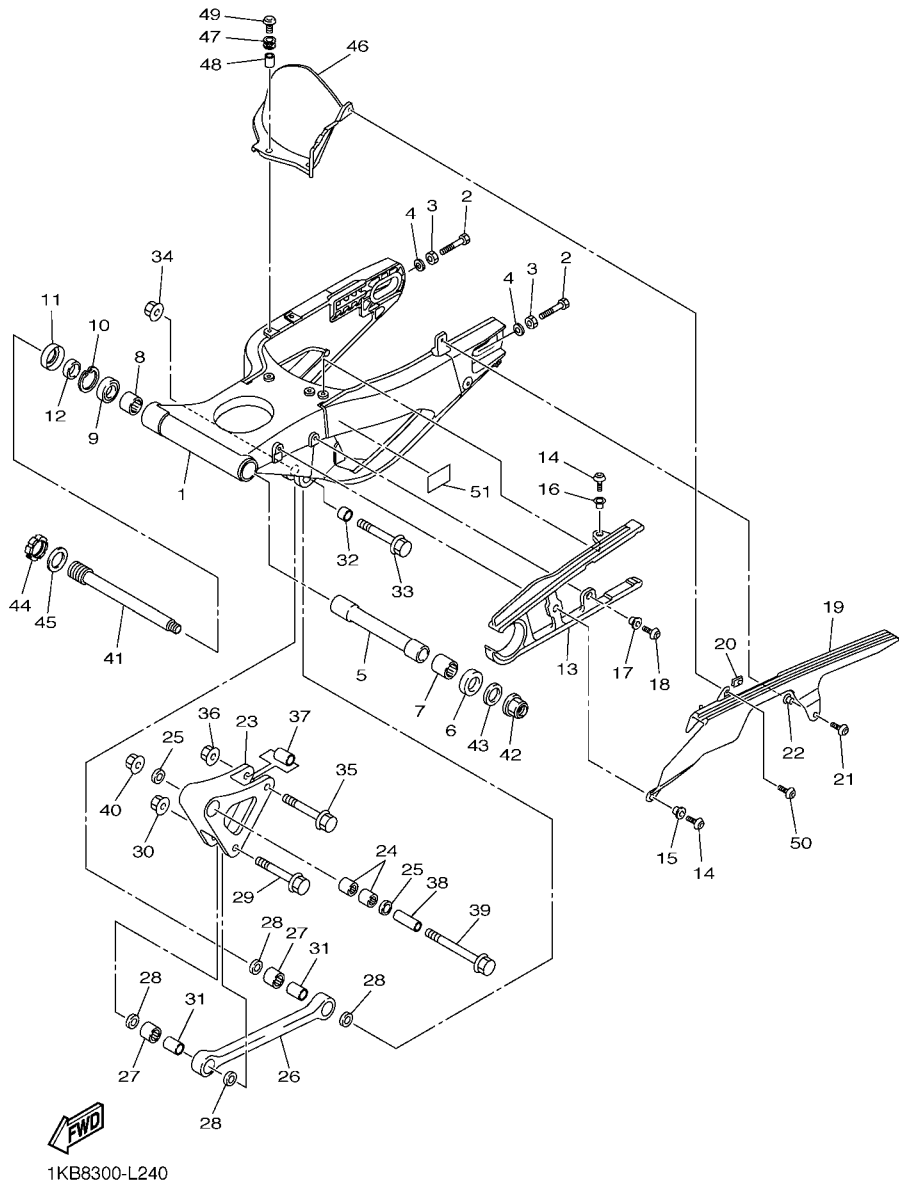
| REF. NO. | PART NO. | DESCRIPTION | TKBT | TKBU | REMARKS |
|----------|-----------------|--------------------------|------|------|---------|
| 1 | 14B-22110-00-P0 | REAR ARM COMP. | 1 | 1 | MBL2 |
| 2 | 90101-08013 | BOLT | 2 | 2 | |
| 3 | 95302-08600 | NUT | 2 | 2 | |
| 4 | 90201-08057 | WASHER, PLATE | 2 | 2 | |
| 5 | 14B-22184-00 | BUSH | 1 | 1 | |
| 6 | 5VY-22128-00 | COVER, THRUST 1 | 1 | 1 | |
| 7 | 93317-52897 | BEARING | 1 | 1 | |
| 8 | 93317-428U8 | BEARING | 1 | 1 | |
| 9 | 93306-97202 | BEARING | 1 | 1 | |
| 10 | 99009-42500 | CIRCLIP | 1 | 1 | |
| 11 | 93106-28004 | OIL SEAL | 1 | 1 | |
| 12 | 90387-22023 | COLLAR | 1 | 1 | |
| 13 | 14B-22151-00 | SEAL, GUARD | 1 | 1 | |
| 14 | 92012-06016 | BOLT, BUTTON HEAD | 2 | 2 | |
| 15 | 90387-062X0 | COLLAR | 1 | 1 | |
| 16 | 90387-06066 | COLLAR | 1 | 1 | |
| 17 | 90387-06066 | COLLAR | 1 | 1 | |
| 18 | 92012-06016 | BOLT, BUTTON HEAD | 1 | 1 | |
| 19 | 14B-22311-00 | CASE, CHAIN | 1 | 1 | |
| 20 | 90183-05076 | NUT, SPRING | 1 | 1 | |
| 21 | 90111-06083 | BOLT, HEX. SOCKET BUTTON | 1 | 1 | |
| 22 | 90387-07717 | COLLAR | 1 | 1 | |
| 23 | 1KB-2217A-00 | ARM, RELAY | 1 | 1 | |
| 24 | 93315-31758 | BEARING | 2 | 2 | |
| 25 | 93109-17071 | OIL SEAL | 2 | 2 | |
| 26 | 1KB-2217M-00 | ARM 1 | 1 | 1 | |
| 27 | 93315-31758 | BEARING | 2 | 2 | |

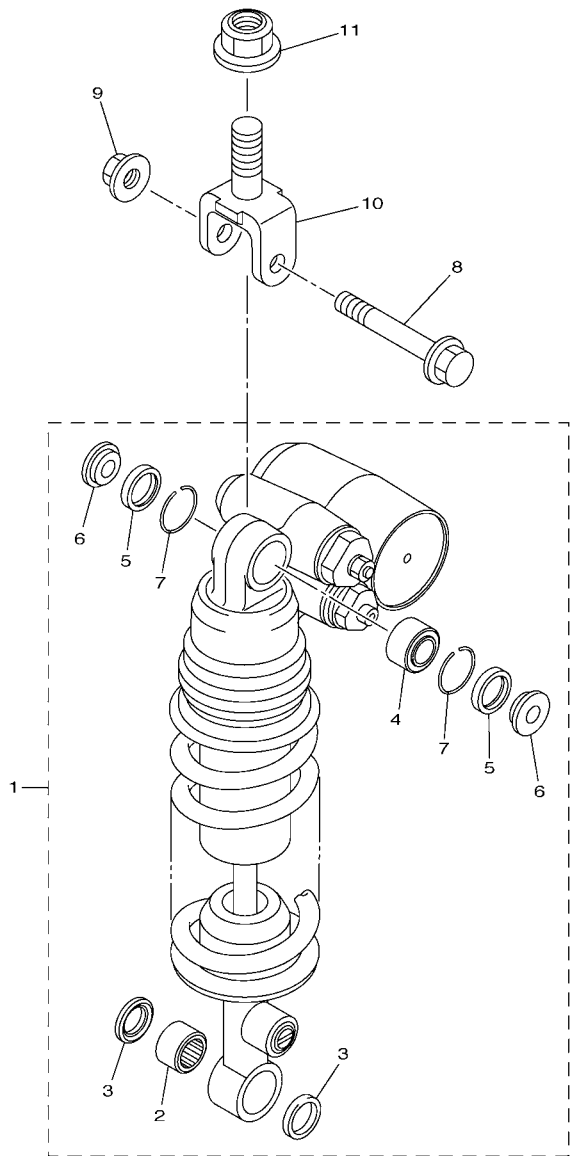


1KB8300-L240

FIG. 24 REAR ARM

| REF. NO. | PART NO. | DESCRIPTION | TKBT | TKBU | REMARKS |
|----------|--------------|--------------------------|------|------|---------|
| 28 | 93109-17071 | OIL SEAL | 4 | 4 | |
| 29 | 90105-10017 | BOLT, FLANGE | 1 | 1 | |
| 30 | 95602-10200 | NUT, U FLANGE | 1 | 1 | |
| 31 | 90387-1012A | COLLAR | 2 | 2 | |
| 32 | 90387-1013U | COLLAR | 1 | 1 | |
| 33 | 90105-10018 | BOLT, FLANGE | 1 | 1 | |
| 34 | 95602-10200 | NUT, U FLANGE | 1 | 1 | |
| 35 | 90105-10017 | BOLT, FLANGE | 1 | 1 | |
| 36 | 95602-10200 | NUT, U FLANGE | 1 | 1 | |
| 37 | 90387-1012A | COLLAR | 1 | 1 | |
| 38 | 90387-10034 | COLLAR | 1 | 1 | |
| 39 | 90105-10150 | BOLT, FLANGE | 1 | 1 | |
| 40 | 95602-10200 | NUT, U FLANGE | 1 | 1 | |
| 41 | 14B-22141-00 | SHAFT, PIVOT | 1 | 1 | |
| 42 | 90185-20008 | NUT, SELF-LOCKING | 1 | 1 | |
| 43 | 90201-20026 | WASHER, PLATE | 1 | 1 | |
| 44 | 4C8-22252-00 | NUT | 1 | 1 | |
| 45 | 90201-30016 | WASHER, PLATE | 1 | 1 | |
| 46 | 14B-21650-00 | REAR FENDER COMP. | 1 | 1 | |
| 47 | 90480-12005 | GROMMET | 3 | 3 | |
| 48 | 90387-06057 | COLLAR | 3 | 3 | |
| 49 | 90149-06302 | SCREW | 3 | 3 | |
| 50 | 90111-05002 | BOLT, HEX. SOCKET BUTTON | 1 | 1 | |
| 51 | 14B-21668-00 | LABEL, TIRE | 1 | 1 | |





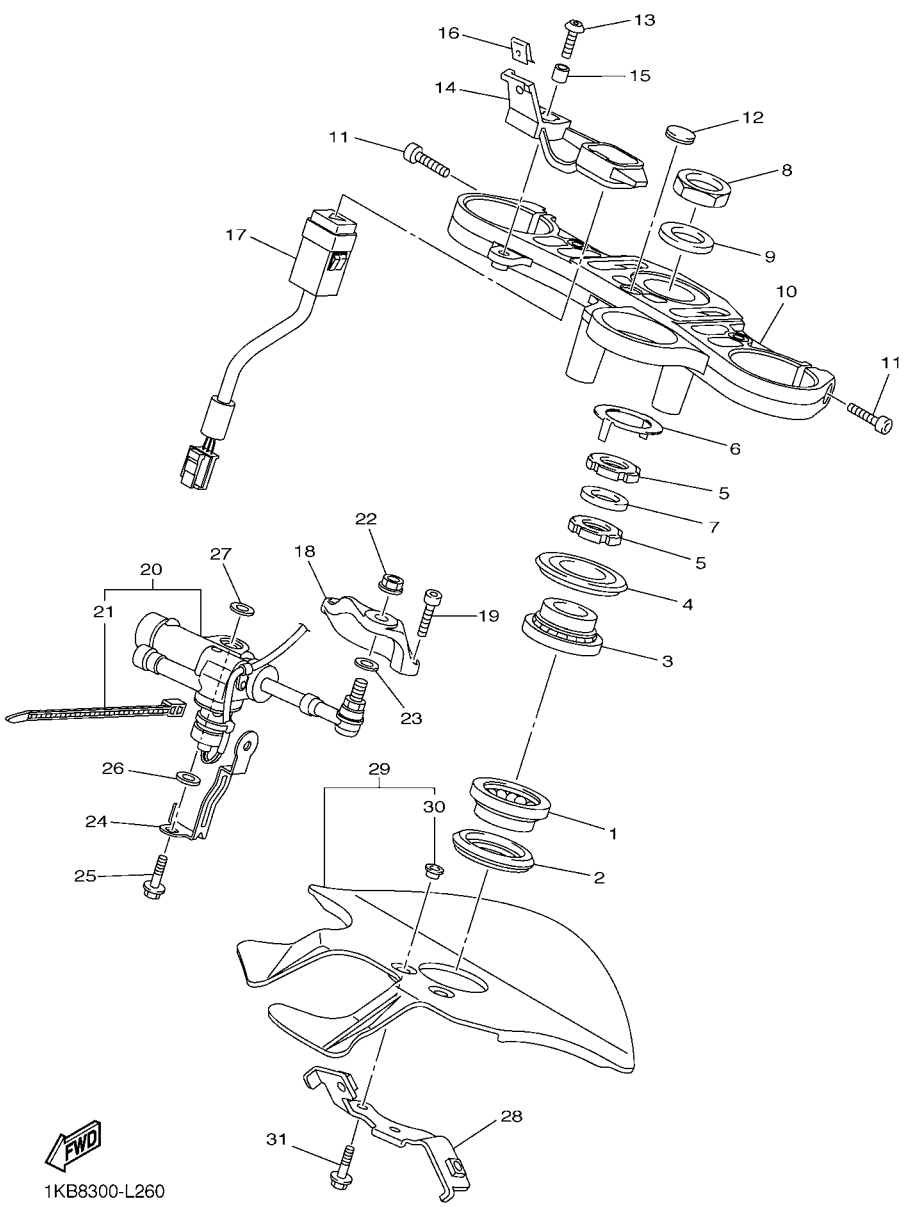
14B1300-H250

FIG. 25 REAR SUSPENSION

| REF. NO. | PART NO. | DESCRIPTION | 1KBT | 1KBU | REMARKS |
|----------|--------------|---------------------------|------|------|---------|
| 1 | 1KB-22210-00 | SHOCK ABSORBER ASSY, REAR | 1 | 1 | |
| 2 | 93315-31758 | .BEARING | 1 | 1 | |
| 3 | 93109-17071 | .OIL SEAL | 2 | 2 | |
| 4 | 93399-999T4 | .BEARING | 1 | 1 | |
| 5 | 93101-18061 | .OIL SEAL | 2 | 2 | |
| 6 | 14B-22253-00 | .COLLAR, DISTANCE | 2 | 2 | |
| 7 | 93440-30113 | .CIRCLIP | 2 | 2 | |
| 8 | 90105-10020 | BOLT, FLANGE | 1 | 1 | |
| 9 | 95602-10200 | NUT, U FLANGE | 1 | 1 | |
| 10 | 1KB-22219-00 | BRACKET, UPPER | 1 | 1 | |
| 11 | 95602-16200 | NUT, SELF-LOCKING | 1 | 1 | |

FIG. 26 STEERING

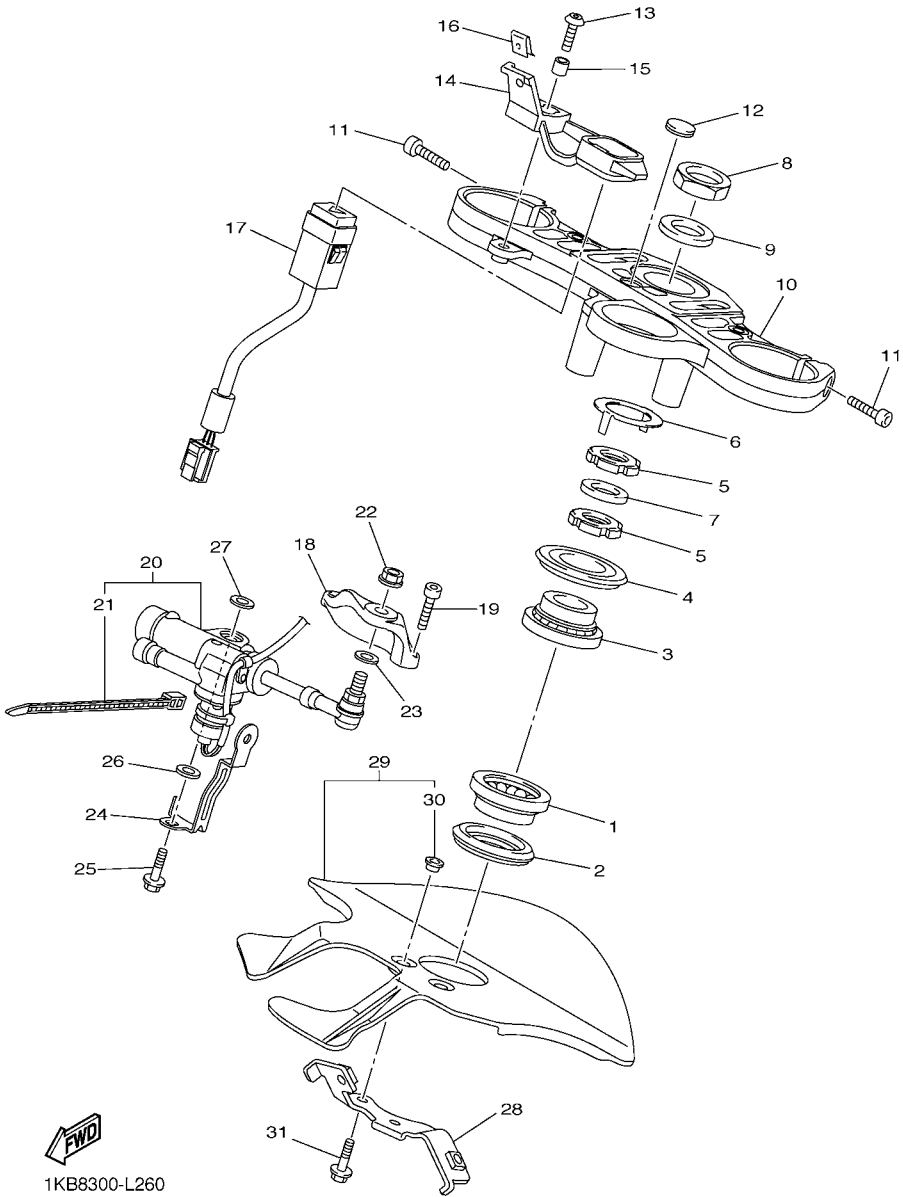
| REF. NO. | PART NO. | DESCRIPTION | 1KBT | 1KBU | REMARKS |
|----------|--------------|------------------------------|------|------|---------|
| 1 | 93399-99957 | BEARING | 1 | 1 | |
| 2 | 3FV-23462-00 | SEAL, STEERING | 1 | 1 | |
| 3 | 93399-99932 | BEARING | 1 | 1 | |
| 4 | 4XV-23415-01 | COVER, BALL RACE 1 | 1 | 1 | |
| 5 | 90179-30691 | NUT | 2 | 2 | |
| 6 | 4XV-23418-00 | WASHER, SPECIAL | 1 | 1 | |
| 7 | 90202-30235 | WASHER, PLATE | 1 | 1 | |
| 8 | 90170-28419 | NUT | 1 | 1 | |
| 9 | 90201-281U8 | WASHER, PLATE | 1 | 1 | |
| 10 | 1KB-23435-00 | CROWN, HANDLE | 1 | 1 | |
| 11 | 91314-08030 | BOLT, HEXAGON SOCKET HEAD | 2 | 2 | |
| 12 | 5GT-2836B-00 | TUNING FORK MARK | 1 | 1 | |
| 13 | 90111-06041 | BOLT, HEX. SOCKET BUTTON | 1 | 1 | |
| 14 | 1KB-26292-00 | STAY | 1 | 1 | |
| 15 | 90387-06057 | COLLAR | 1 | 1 | |
| 16 | 90183-050A0 | NUT, SPRING | 1 | 1 | |
| 17 | 1KB-83362-00 | HAZARD FLASHER SWITCH | 1 | 1 | |
| 18 | 14B-23495-00 | STAY, DAMPER | 1 | 1 | |
| 19 | 90110-06175 | BOLT, HEXAGON SOCKET HEAD | 2 | 2 | |
| 20 | 14B-23490-10 | HANDLEBAR SHIMMY DAMPER ASSY | 1 | 1 | |
| 21 | 90464-20022 | .CLAMP | 1 | 1 | |
| 22 | 95602-08200 | NUT, SELF-LOCKING | 1 | 1 | |
| 23 | 90201-08M09 | WASHER, PLATE | 1 | 1 | |
| 24 | 45B-2331E-00 | GUIDE, CABLE | 1 | 1 | |
| 25 | 90105-08108 | BOLT, FLANGE | 1 | 1 | |
| 26 | 90201-08676 | WASHER, PLATE | 1 | 1 | |
| 27 | 5VY-26398-00 | WASHER | 1 | 1 | |




1KB8300-L260

FIG. 26 STEERING

| REF. NO. | PART NO. | DESCRIPTION | 1KBT | 1KBU | | | | REMARKS |
|----------|--------------|-------------------|------|------|--|--|--|---------|
| 28 | 14B-23377-20 | BRACKET, HORN | 1 | 1 | | | | |
| 29 | 14B-23808-00 | STRG, COVER. ASSY | 1 | 1 | | | | |
| 30 | 90560-06244 | .SPACER | 2 | 2 | | | | |
| 31 | 90105-06557 | BOLT, FLANGE | 2 | 2 | | | | |
| ----- | | | | | | | | |
| ----- | | | | | | | | |
| ----- | | | | | | | | |
| ----- | | | | | | | | |
| ----- | | | | | | | | |
| ----- | | | | | | | | |
| ----- | | | | | | | | |
| ----- | | | | | | | | |
| ----- | | | | | | | | |
| ----- | | | | | | | | |



FWD
1KB8300-L260

FIG. 27 FRONT FORK

| REF. NO. | PART NO. | DESCRIPTION | 1KBT | 1KBU | REMARKS |
|----------|--------------|----------------------------|------|------|-------------------|
| 1 | 1KB-23102-10 | FRONT FORK ASSY (L.H) | 1 | 1 | UR FOR DPBMC,MNM3 |
| | 1KB-23102-00 | FRONT FORK ASSY (L.H) | 1 | 1 | UR FOR BWC1 |
| 2 | 1KB-23110-01 | .INNER TUBE COMP.1 | 1 | 1 | |
| 3 | 14B-23106-10 | .OUTER TUBE COMP. | 1 | 1 | UR FOR DPBMC,MNM3 |
| | 14B-23106-00 | .OUTER TUBE COMP. | 1 | 1 | UR FOR BWC1 |
| 4 | 4TX-23144-01 | ..SEAL, DUST | 1 | 1 | |
| 5 | 4TX-23156-00 | ..RING, SNAP | 1 | 1 | |
| 6 | 5VX-23145-00 | ..OIL SEAL | 1 | 1 | |
| 7 | 4TX-23115-00 | ..GUIDE, COVER UPPER | 1 | 1 | |
| 8 | 1KB-2315K-00 | .CYL. COMP.,2 | 1 | 1 | |
| 9 | 14B-2319M-00 | ..SPRING, VALVE | 1 | 1 | |
| 10 | 14B-23109-00 | ..VALVE | 1 | 1 | |
| 11 | 14B-2318Y-00 | ..PLUNGER | 1 | 1 | |
| 12 | 14B-23111-00 | .BOLT, CAP | 1 | 1 | |
| 13 | 93210-41N50 | ..O-RING | 1 | 1 | |
| 14 | 13S-23393-00 | ..NUT, SPECIAL | 1 | 1 | |
| 15 | 13S-2332N-00 | .PLATE, VALVE 2 | 1 | 1 | |
| 16 | 90201-25291 | .WASHER, PLATE | 1 | 1 | |
| 17 | 14B-23141-00 | .SPRING, FRONT FORK | 1 | 1 | |
| 18 | 13S-23142-00 | .SEAT, SPRING UPPER | 1 | 1 | |
| 19 | 14B-23118-00 | .SPACER | 1 | 1 | |
| 20 | 91314-08035 | .BOLT, HEXAGON SOCKET HEAD | 2 | 2 | |
| 21 | 1KB-23103-10 | FRONT FORK ASSY (R.H) | 1 | 1 | UR FOR DPBMC,MNM3 |
| | 1KB-23103-00 | FRONT FORK ASSY (R.H) | 1 | 1 | UR FOR BWC1 |
| 22 | 1KB-23120-01 | .INNER TUBE COMP.2 | 1 | 1 | |
| 23 | 14B-23106-10 | .OUTER TUBE COMP. | 1 | 1 | UR FOR DPBMC,MNM3 |
| | 14B-23106-00 | .OUTER TUBE COMP. | 1 | 1 | UR FOR BWC1 |

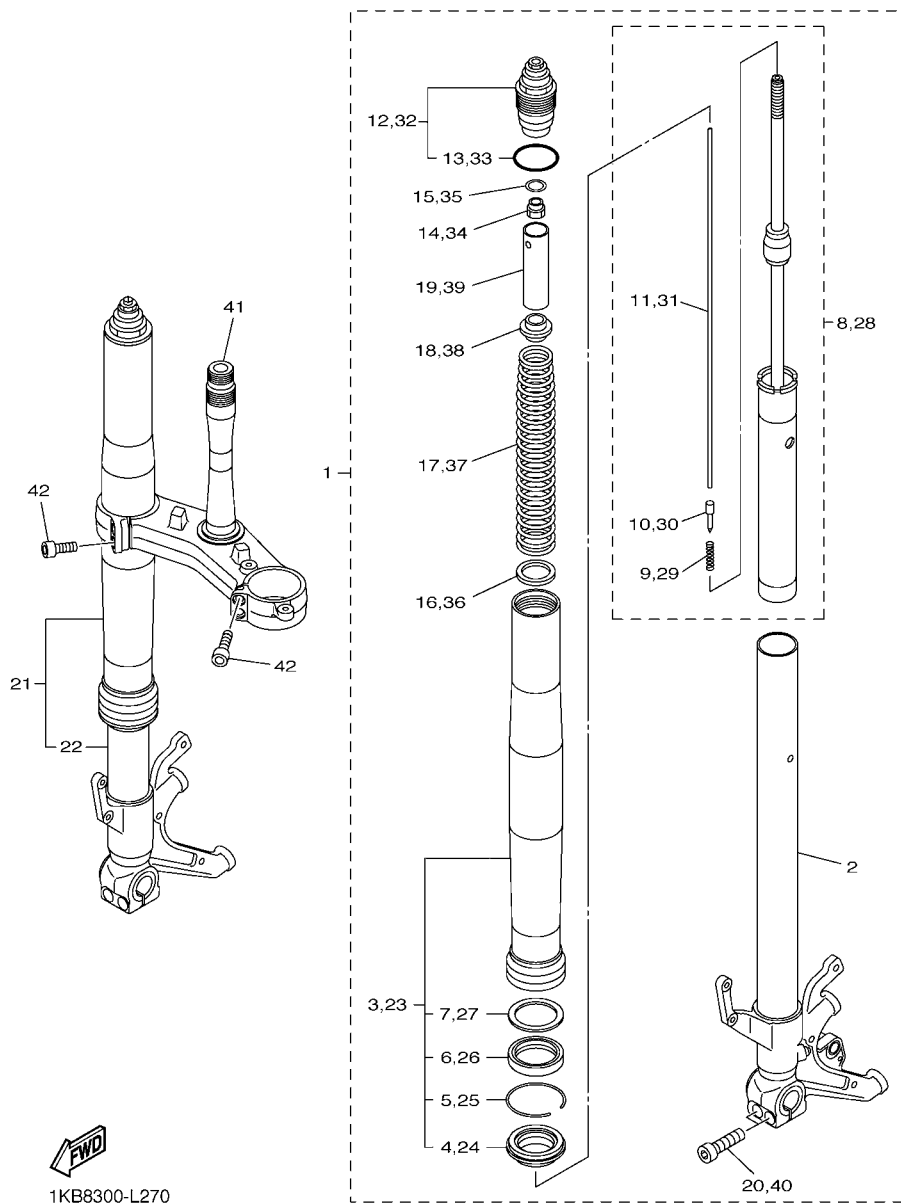
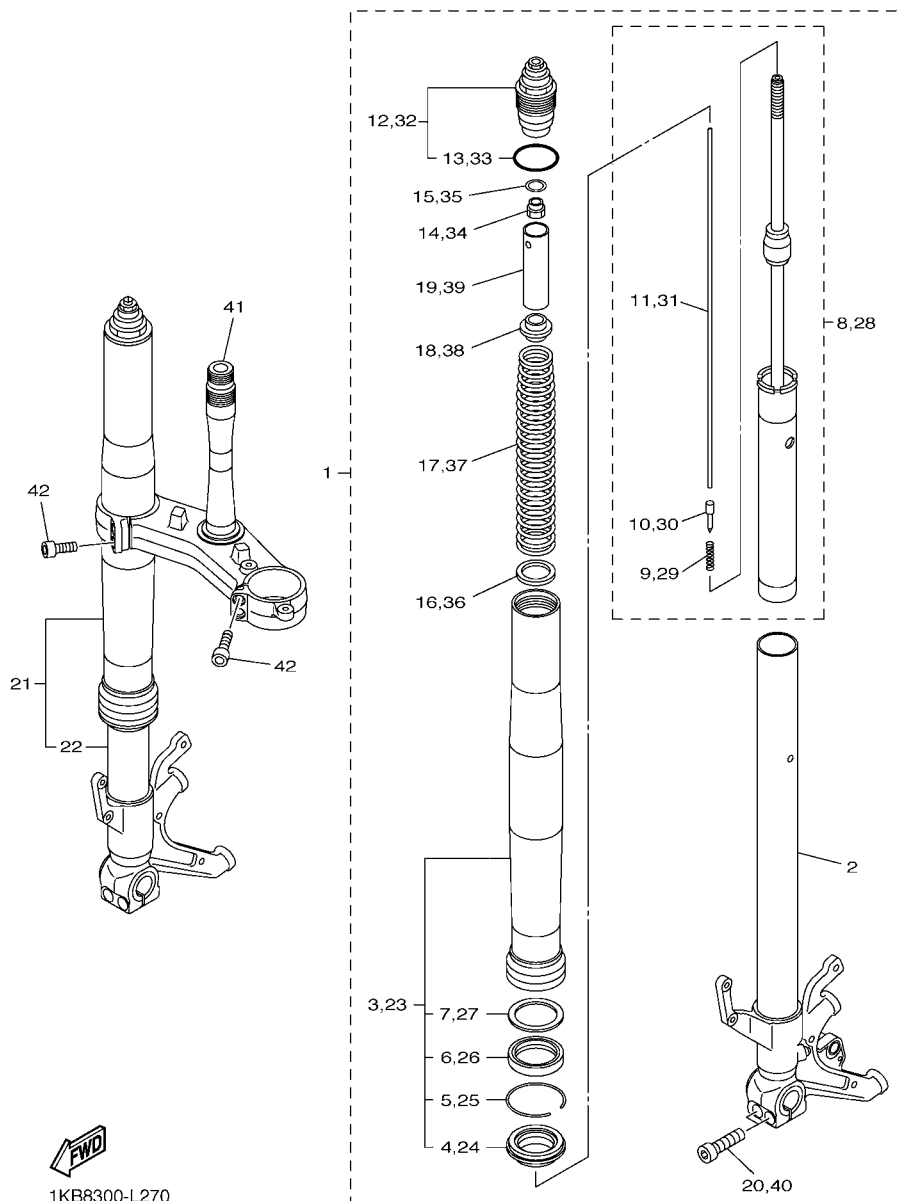


FIG. 27 FRONT FORK

| REF. NO. | PART NO. | DESCRIPTION | TKBT | TKBU | REMARKS |
|----------|--------------|----------------------------|------|------|---------|
| 24 | 4TX-23144-01 | ..SEAL, DUST | 1 | 1 | |
| 25 | 4TX-23156-00 | ..RING, SNAP | 1 | 1 | |
| 26 | 5VX-23145-00 | ..OIL SEAL | 1 | 1 | |
| 27 | 4TX-23115-00 | ..GUIDE, COVER UPPER | 1 | 1 | |
| 28 | 1KB-2315L-00 | .CYL. COMP.,3 | 1 | 1 | |
| 29 | 14B-2319M-00 | ..SPRING, VALVE | 1 | 1 | |
| 30 | 14B-23109-00 | ..VALVE | 1 | 1 | |
| 31 | 14B-2318Y-00 | ..PLUNGER | 1 | 1 | |
| 32 | 14B-2311J-00 | .BOLT, CAP 2 | 1 | 1 | |
| 33 | 93210-41N50 | ..O-RING | 1 | 1 | |
| 34 | 13S-23393-00 | .NUT, SPECIAL | 1 | 1 | |
| 35 | 13S-2332N-00 | .PLATE, VALVE 2 | 1 | 1 | |
| 36 | 90201-25291 | .WASHER, PLATE | 1 | 1 | |
| 37 | 14B-23141-00 | .SPRING, FRONT FORK | 1 | 1 | |
| 38 | 13S-23142-00 | .SEAT, SPRING UPPER | 1 | 1 | |
| 39 | 14B-23118-00 | ..SPACER | 1 | 1 | |
| 40 | 91314-08035 | .BOLT, HEXAGON SOCKET HEAD | 2 | 2 | |
| 41 | 14B-23340-10 | UNDER BRACKET COMP. | 1 | 1 | |
| 42 | 91314-08030 | BOLT, HEXAGON SOCKET HEAD | 4 | 4 | |



1KB8300-L270

FIG. 28 FUEL TANK

| REF. NO. | PART NO. | DESCRIPTION | TKBT | TKBU | REMARKS |
|----------|-----------------|---------------------------|------|------|-------------------|
| 1 | 14B-24110-00-P4 | FUEL TANK COMP. | 1 | 1 | UR FOR DPBMC,MNM3 |
| | 14B-YK241-00-P1 | FUEL TANK COMP. | 1 | 1 | UR FOR BWC1 |
| 2 | 5SL-2413B-00 | EMBLEM | 2 | 2 | |
| 3 | 91312-06016 | BOLT | 2 | 2 | |
| 4 | 4BP-24188-00 | MOLD, FUEL TANK | 1 | 1 | |
| 5 | 5VY-24183-00 | DAMPER, LOCATING 3 | 2 | 2 | |
| 6 | 14B-24191-10 | BRACKET, FUEL TANK 1 | 1 | 1 | |
| 7 | 5VY-24181-00 | DAMPER, LOCATING 1 | 1 | 1 | |
| 8 | 90480-10542 | GROMMET | 1 | 1 | |
| 9 | 14B-21161-00 | HOLDER, CABLE | 1 | 1 | |
| 10 | 90387-06143 | COLLAR | 2 | 2 | |
| 11 | 14B-24192-10 | BRACKET, FUEL TANK 2 | 1 | 1 | |
| 12 | 5VY-24181-00 | DAMPER, LOCATING 1 | 1 | 1 | |
| 13 | 90480-10542 | GROMMET | 1 | 1 | |
| 14 | 14B-21162-00 | HOLDER, CLUTCH CABLE | 1 | 1 | |
| 15 | 90119-06262 | BOLT, WITH WASHER | 2 | 2 | |
| 16 | 90110-06378 | BOLT, HEXAGON SOCKET HEAD | 1 | 1 | |
| 17 | 14B-2413Y-10 | BRACKET, TANK FITTING | 1 | 1 | |
| 18 | 5SL-24183-00 | DAMPER, LOCATING 3 | 2 | 2 | |
| 19 | 90387-06055 | COLLAR | 1 | 1 | |
| 20 | 90110-06163 | BOLT, HEXAGON SOCKET HEAD | 4 | 4 | |
| 21 | 39P-24602-10 | CAP ASSY | 1 | 1 | |
| 22 | 90110-05112 | BOLT, HEXAGON SOCKET HEAD | 3 | 3 | |
| 23 | 91312-05010 | BOLT | 1 | 1 | |
| 24 | 14B-13907-00 | FUEL PUMP COMP. | 1 | 1 | |
| 25 | 13S-24491-00 | BRACKET, FUEL PUMP | 1 | 1 | |
| 26 | 14B-24135-00 | CLAMP 1 | 1 | 1 | |

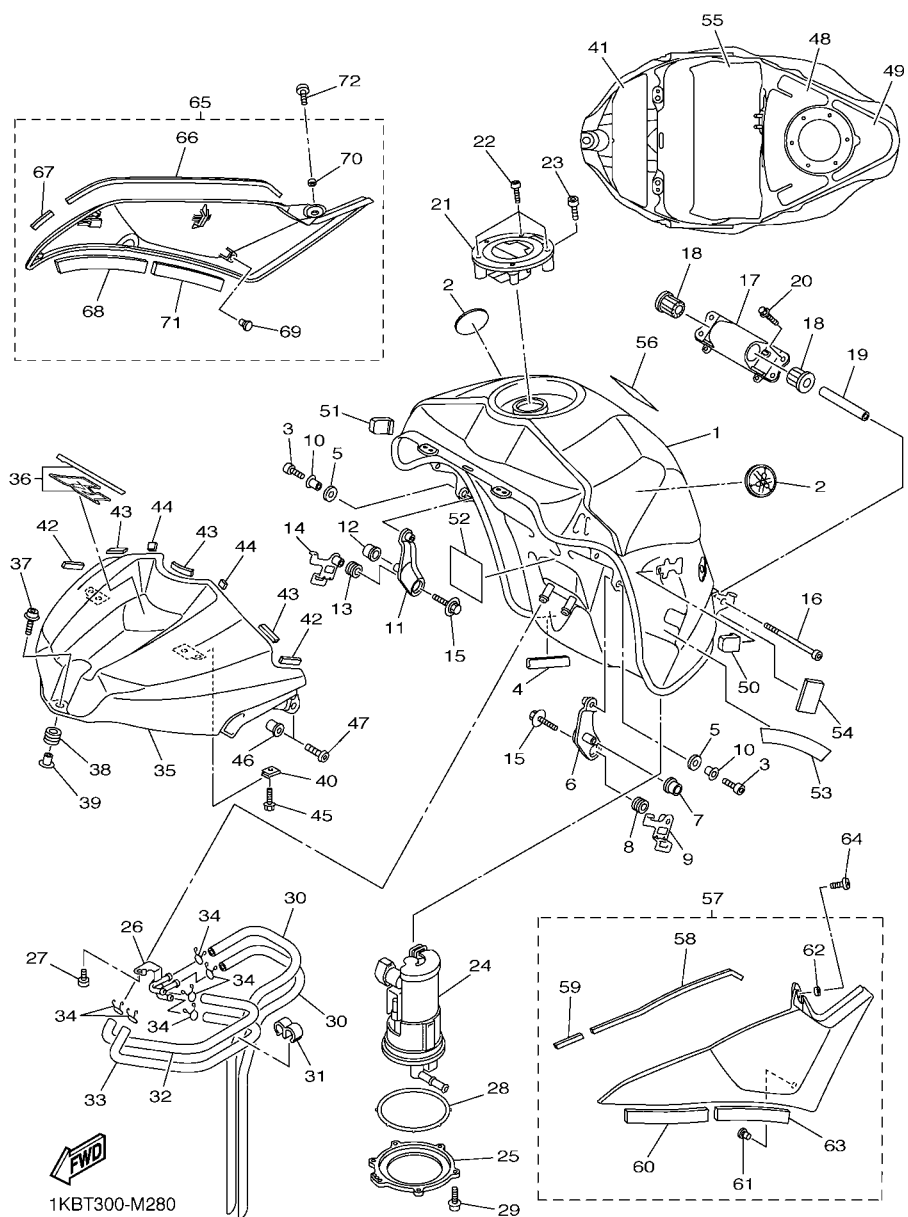


FIG. 28 FUEL TANK

| REF. NO. | PART NO. | DESCRIPTION | TKBT | TKBU | REMARKS |
|----------|-----------------|---------------------------|------|------|------------------|
| 27 | 90110-05030 | BOLT, HEXAGON SOCKET HEAD | 1 | 1 | |
| 28 | 19B-24486-01 | O-RING | 1 | 1 | |
| 29 | 90110-05028 | BOLT, HEXAGON SOCKET HEAD | 6 | 6 | |
| 30 | 14B-24312-00 | PIPE 2 | 2 | 2 | |
| 31 | 90464-09M31 | CLAMP | 1 | 1 | |
| 32 | 14B-24313-00 | PIPE 3 | 1 | 1 | |
| 33 | 14B-24314-00 | PIPE 4 | 1 | 1 | |
| 34 | 90467-09006 | CLIP | 6 | 6 | |
| 35 | 14B-2171A-00-P2 | COVER, TOP | 1 | 1 | UR FOR DPBMC |
| | 14B-2171A-00-P0 | COVER, TOP | 1 | 1 | UR FOR MNM3,BWC1 |
| 36 | 1KB-24161-00 | EMBLEM 1 | 1 | 1 | FOR DPBMC |
| 37 | 90110-06233 | BOLT, HEXAGON SOCKET HEAD | 1 | 1 | |
| 38 | 90480-12023 | GROMMET | 1 | 1 | |
| 39 | 90387-06203 | COLLAR | 1 | 1 | |
| 40 | 90183-05074 | NUT, SPRING | 2 | 2 | |
| 41 | 14B-2414H-00 | DAMPER, PLATE 1 | 1 | 1 | |
| 42 | 4C8-24182-00 | DAMPER, LOCATING 2 | 2 | 2 | |
| 43 | 3XV-21778-00 | DAMPER, LOCATING 1 | 3 | 3 | |
| 44 | 14B-24181-00 | DAMPER, LOCATING 1 | 2 | 2 | |
| 45 | 90119-05015 | BOLT, WITH WASHER | 2 | 2 | |
| 46 | 90179-05523 | NUT | 2 | 2 | |
| 47 | 98902-05014 | SCREW, BIND | 2 | 2 | |
| 48 | 14B-2414N-20 | DAMPER, PLATE 4 | 1 | 1 | |
| 49 | 14B-2414P-20 | DAMPER, PLATE 5 | 1 | 1 | |
| 50 | 5PW-2411J-01 | DAMPER, SIDE COVER | 1 | 1 | |
| 51 | 5PW-2411J-01 | DAMPER, SIDE COVER | 1 | 1 | |
| 52 | 5VU-21747-00 | DAMPER | 1 | 1 | |

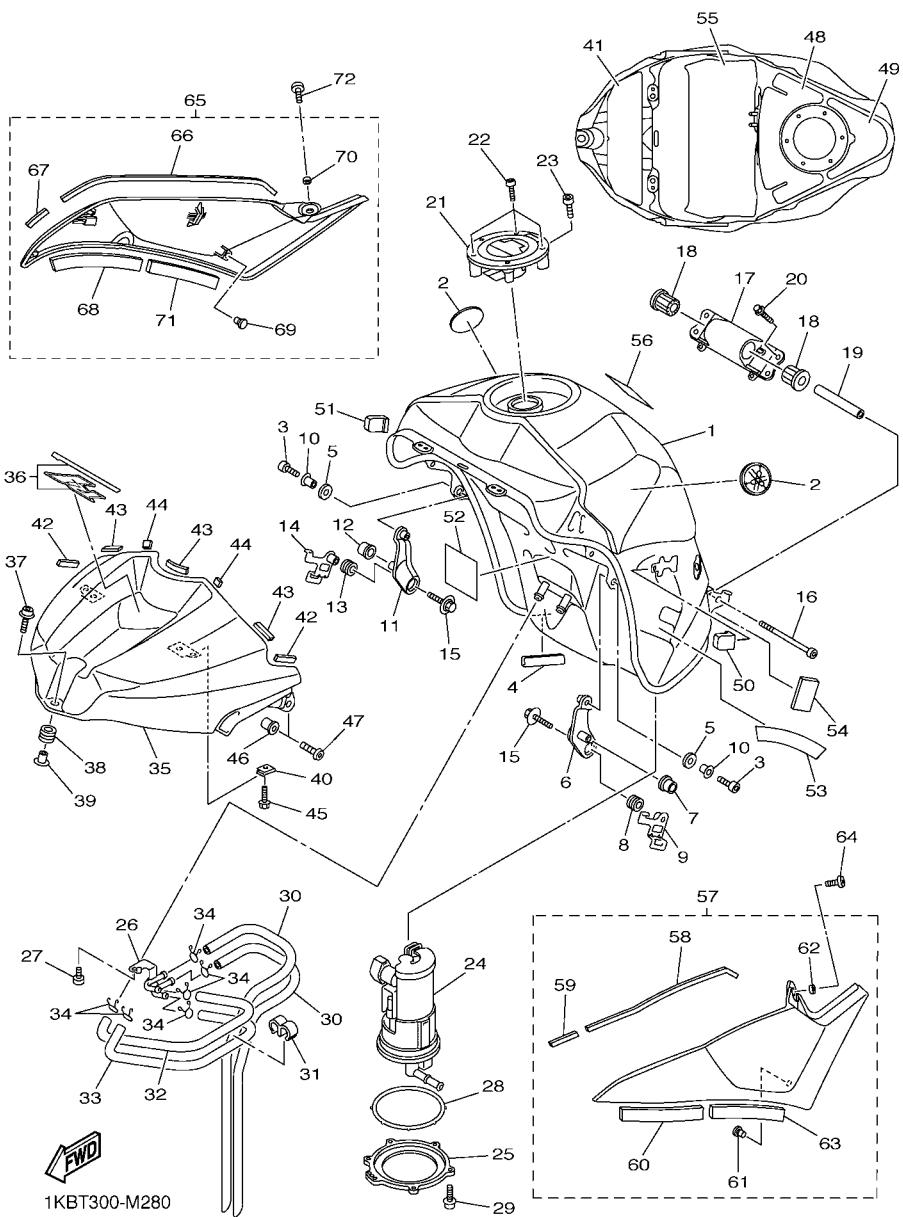


FIG. 28 FUEL TANK

| REF. NO. | PART NO. | DESCRIPTION | TKBT | TKBU | REMARKS |
|----------|--------------|------------------------|------|------|---------|
| 53 | 14B-2414K-10 | DAMPER, PLATE 3 | 2 | 2 | |
| 54 | 14B-2414G-00 | SEAL | 2 | 2 | |
| 55 | 90520-08002 | DAMPER, PLATE | 1 | 1 | |
| 56 | 4C8-21568-01 | LABEL, WARNING | 1 | 1 | |
| 57 | 14B-24106-10 | TANK SIDE COVER ASSY 1 | 1 | 1 | |
| 58 | 2C0-2414H-00 | .DAMPER, PLATE 1 | 1 | 1 | |
| 59 | 14B-2414J-00 | .DAMPER, PLATE 2 | 1 | 1 | |
| 60 | 2C0-2414J-00 | .DAMPER, PLATE 2 | 1 | 1 | |
| 61 | 90338-06018 | .PLUG | 1 | 1 | |
| 62 | 90560-05N33 | .SPACER | 1 | 1 | |
| 63 | 90520-10005 | .DAMPER, PLATE | 1 | 1 | |
| 64 | 98902-05008 | SCREW, BIND | 1 | 1 | |
| 65 | 14B-24108-10 | TANK SIDE COVER ASSY 2 | 1 | 1 | |
| 66 | 2C0-2414H-00 | .DAMPER, PLATE 1 | 1 | 1 | |
| 67 | 14B-2414J-00 | .DAMPER, PLATE 2 | 1 | 1 | |
| 68 | 2C0-2414J-00 | .DAMPER, PLATE 2 | 1 | 1 | |
| 69 | 90338-06018 | .PLUG | 1 | 1 | |
| 70 | 90560-05N33 | .SPACER | 1 | 1 | |
| 71 | 90520-10005 | .DAMPER, PLATE | 1 | 1 | |
| 72 | 98902-05008 | SCREW, BIND | 1 | 1 | |

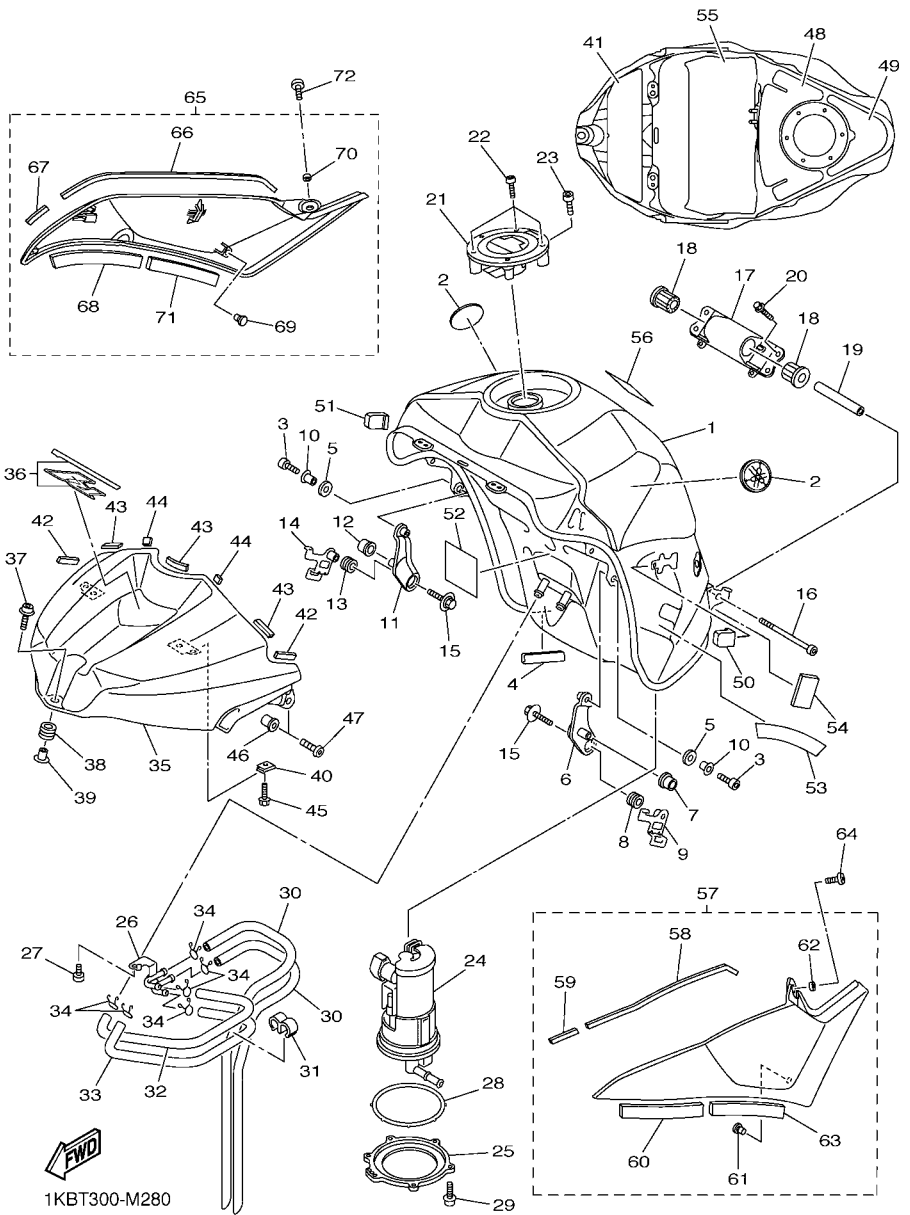
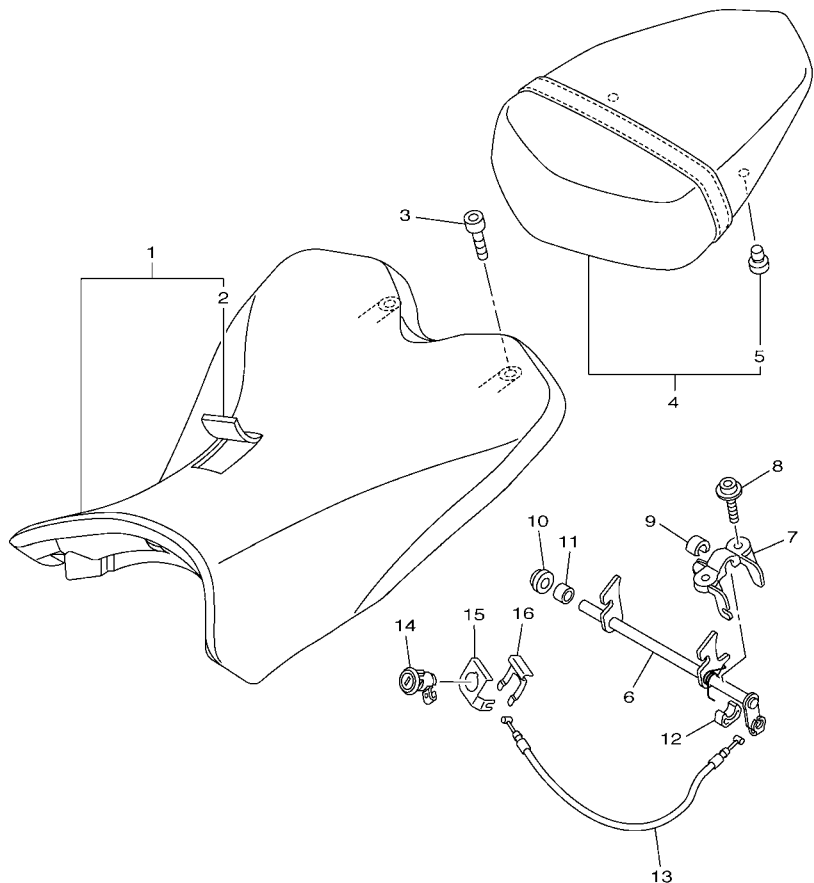


FIG. 29 SEAT



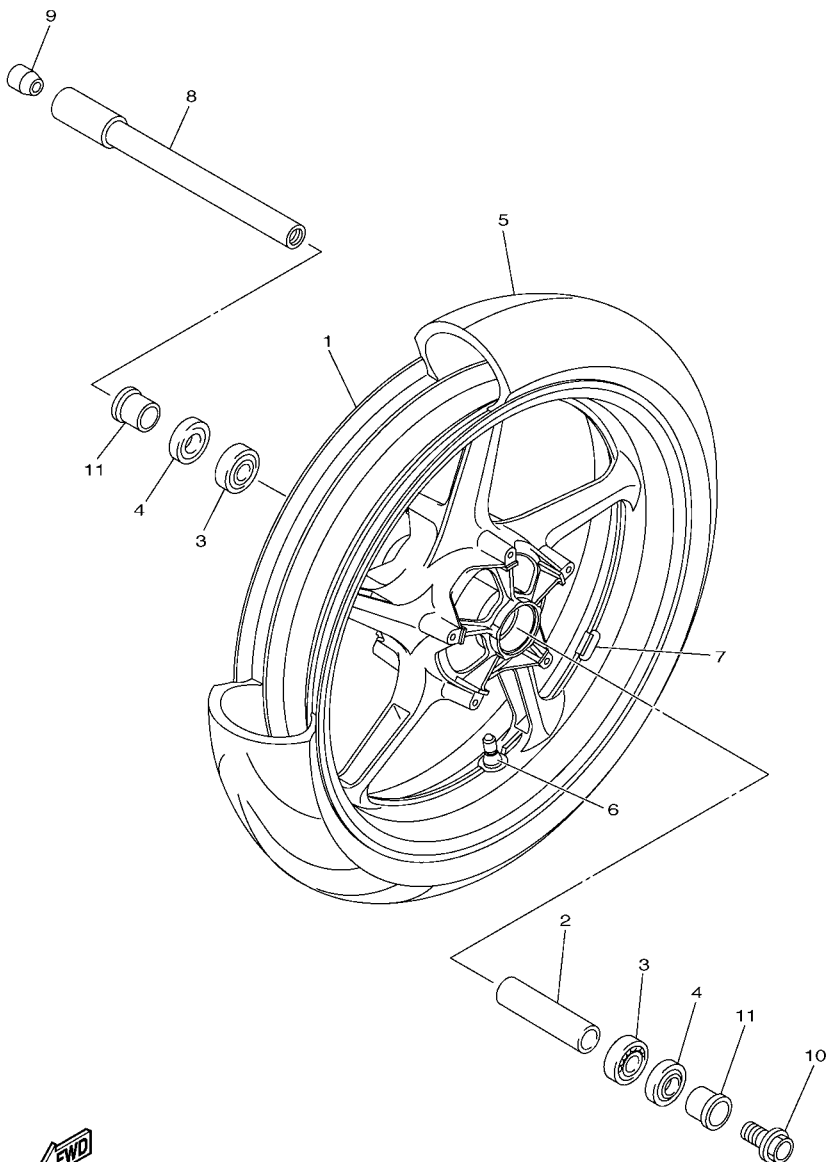
| REF. NO. | PART NO. | DESCRIPTION | TKBT | TKBU | | | | REMARKS |
|----------|--------------|---------------------------|------|------|--|--|--|---------|
| 1 | 14B-24710-00 | SINGLE SEAT ASSY | 1 | 1 | | | | |
| 2 | 14B-24711-00 | .COVER, SINGLE SEAT | 1 | 1 | | | | |
| 3 | 90110-06258 | BOLT, HEXAGON SOCKET HEAD | 2 | 2 | | | | |
| 4 | 14B-24750-00 | TANDEM SEAT ASSY | 1 | 1 | | | | |
| 5 | 5SL-24723-00 | .DAMPER, SEAT | 2 | 2 | | | | |
| 6 | 1KB-24780-00 | SEAT LOCK ASSY | 1 | 1 | | | | |
| 7 | 2C0-24792-00 | PLATE | 1 | 1 | | | | |
| 8 | 90110-06163 | BOLT, HEXAGON SOCKET HEAD | 2 | 2 | | | | |
| 9 | 14B-24725-00 | SPACER 1 | 1 | 1 | | | | |
| 10 | 13S-24725-00 | SPACER 1 | 1 | 1 | | | | |
| 11 | 90560-08213 | SPACER | 1 | 1 | | | | |
| 12 | 13S-24847-00 | HOLDER 1 | 1 | 1 | | | | |
| 13 | 14B-2478E-00 | CABLE, SEAT LOCK | 1 | 1 | | | | |
| 14 | 5VY-W2470-00 | ROTOR SET | 1 | 1 | | | | |
| 15 | 5VY-2117K-01 | STAY, LOCK | 1 | 1 | | | | |
| 16 | 5VY-2176V-00 | SPRING, LOCK 2 | 1 | 1 | | | | |
| | | | | | | | | |
| | | | | | | | | |
| | | | | | | | | |
| | | | | | | | | |



1KB8300-L290

FIG. 30 FRONT WHEEL

| REF. NO. | PART NO. | DESCRIPTION | TKBT | TKBU | REMARKS |
|----------|-----------------|--------------------------------|------|------|------------------|
| 1 | 1KB-25168-00-P0 | CAST WHEEL, FRONT | 1 | 1 | DPBM15 FOR DPBMC |
| | 1KB-25168-00-1X | CAST WHEEL, FRONT | 1 | 1 | LGB/HTR FOR MNM3 |
| | 1KB-25168-00-8L | CAST WHEEL, FRONT | 1 | 1 | NG FOR BWC1 |
| 2 | 4XV-25117-00 | SPACER, BEARING | 1 | 1 | |
| 3 | 93306-07208 | BEARING | 2 | 2 | |
| 4 | 93106-28043 | OIL SEAL | 2 | 2 | |
| 5 | 94112-17111 | TIRE(120/70 ZR17M/C 58W) | 1 | | UR DUNLOP |
| | * | TIRE(120/70 ZR17M/C 58W POWER) | 1 | | UR LM MICHELIN |
| | * | TIRE(120/70 ZR17M/C 58W POWER) | | 1 | LM MICHELIN |
| 6 | 93900-00030 | VALVE, RIM (TR412) | 1 | 1 | TAIHEIYO |
| 7 | 5MT-25398-00 | BALANCER, WHEEL (10G) | 1 | 1 | UN |
| | 5MT-25398-10 | BALANCER, WHEEL (20G) | 1 | 1 | UN |
| | 5MT-25398-20 | BALANCER, WHEEL (30G) | 1 | 1 | UN |
| 8 | 2C0-25181-00 | AXLE, WHEEL | 1 | 1 | |
| 9 | 5PW-25188-00 | CAP | 1 | 1 | |
| 10 | 90105-14002 | BOLT, FLANGE | 1 | 1 | |
| 11 | 90387-22016 | COLLAR | 2 | 2 | |



14BR300-K300

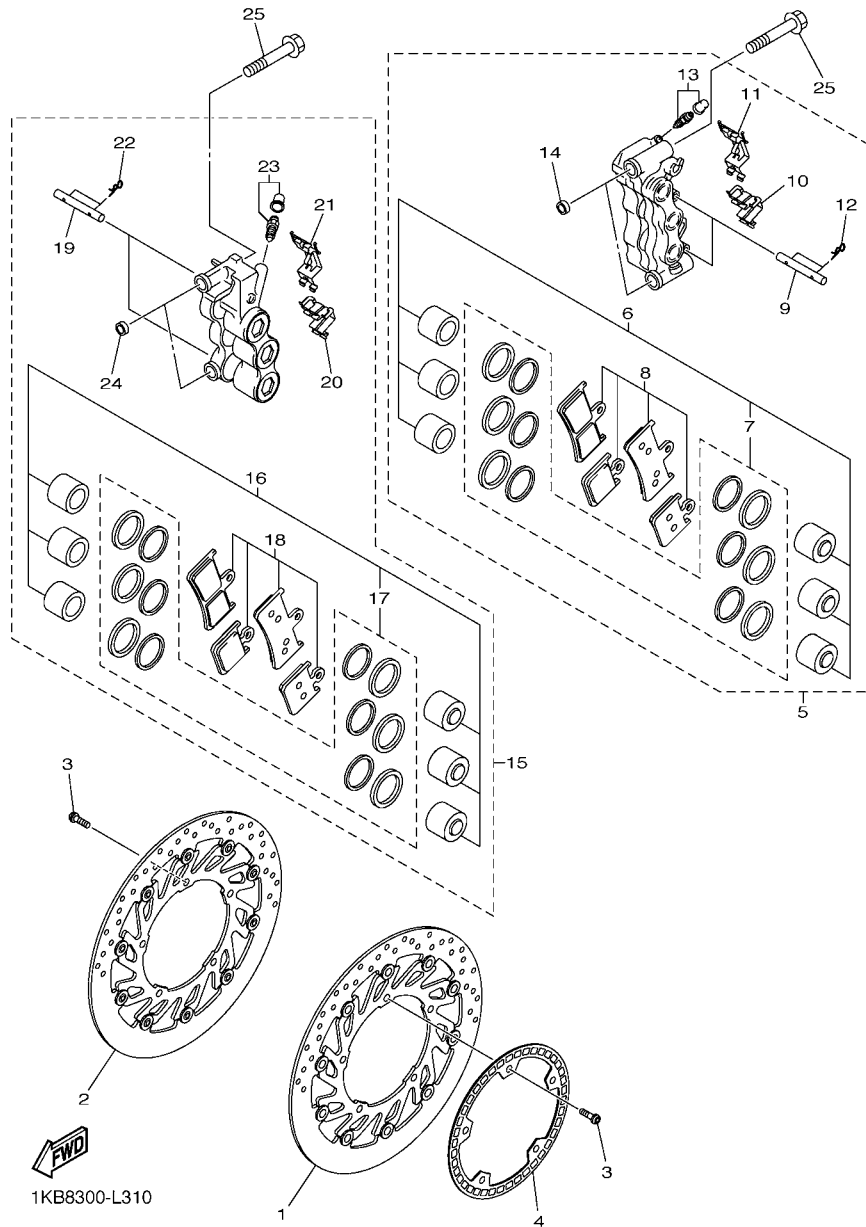
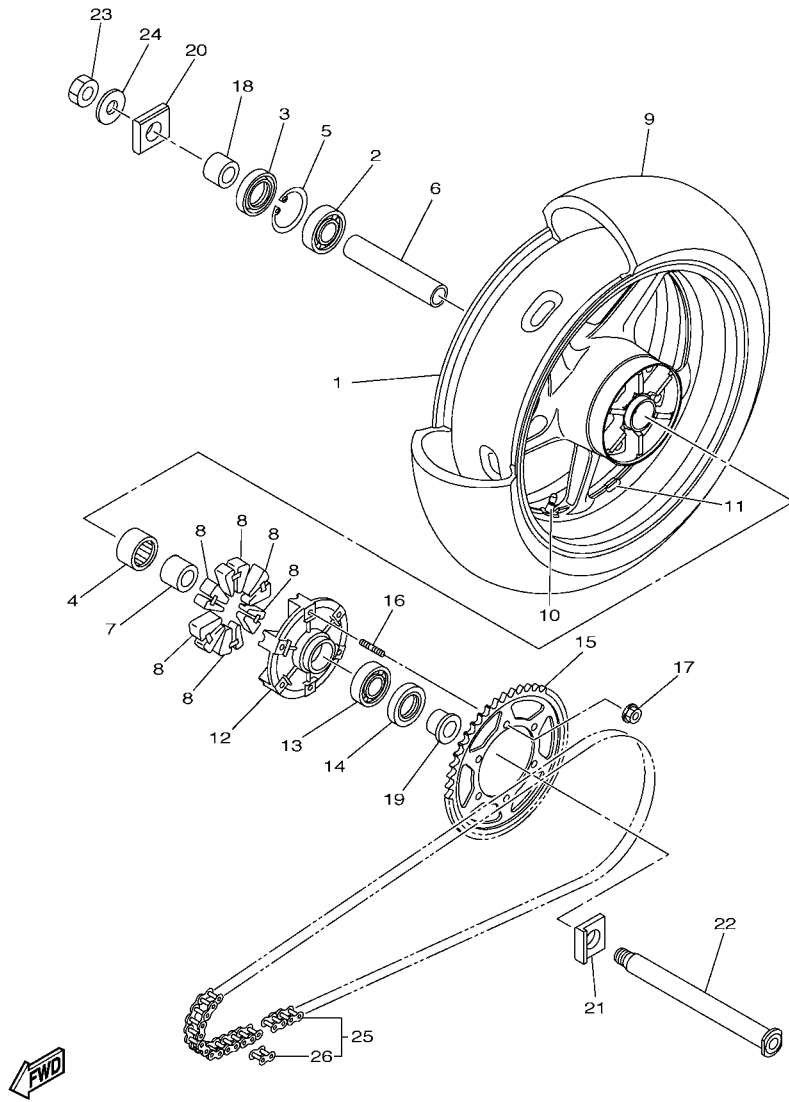


FIG. 31 FRONT BRAKE CALIPER

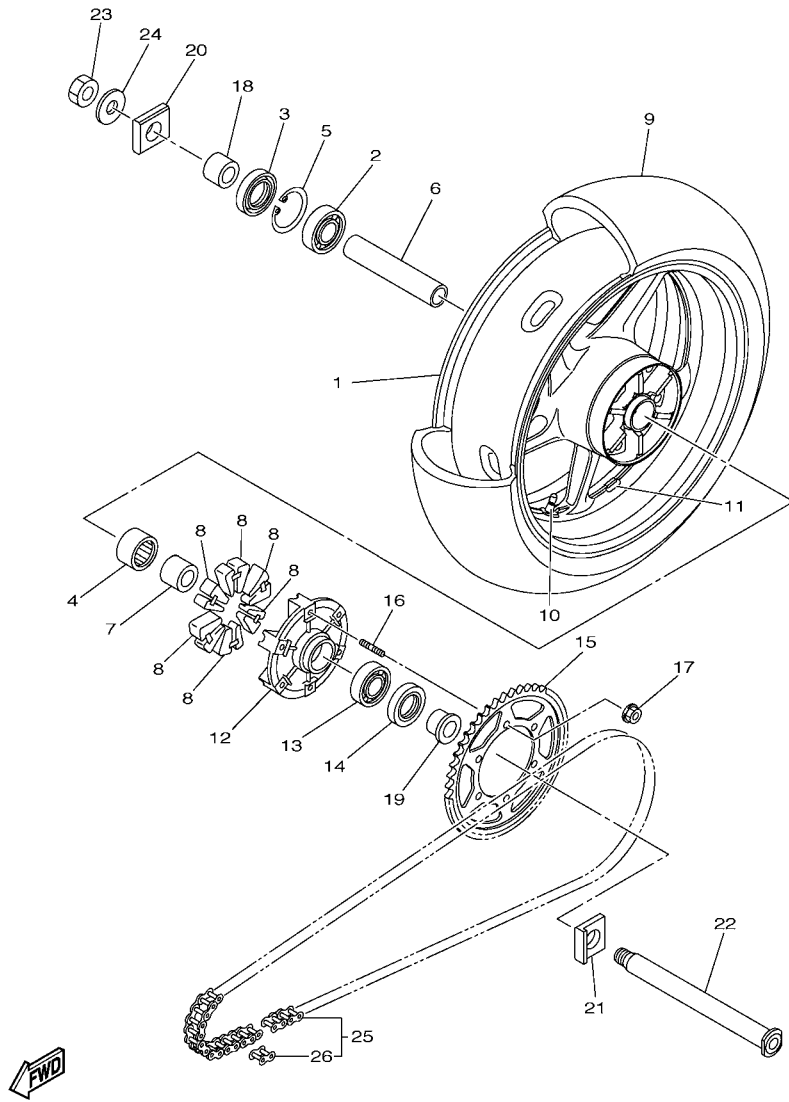
| REF. NO. | PART NO. | DESCRIPTION | TKBT | TKBU | REMARKS |
|----------|--------------|-------------------------|------|------|---------|
| 1 | 1KB-2581T-00 | DISK BRAKE ASSY | 1 | 1 | |
| 2 | 1KB-2581U-00 | DISK BRAKE ASSY (RIGHT) | 1 | 1 | |
| 3 | 90149-06043 | SCREW | 10 | 10 | |
| 4 | 1KB-2517G-00 | ROTOR, SENSOR | 1 | 1 | |
| 5 | 4C8-2580T-10 | CALIPER ASSY (LEFT) | 1 | 1 | |
| 6 | 4C8-W0057-00 | .PISTON ASSY, CALIPER | 1 | 1 | |
| 7 | 4C8-W0047-00 | ..CALIPER SEAL KIT | 1 | 1 | |
| 8 | 4C8-W0045-00 | .BRAKE PAD KIT | 1 | 1 | |
| 9 | 4SV-25924-00 | .PIN, PAD | 2 | 2 | |
| 10 | 4C8-25919-00 | .SUPPORT, PAD | 1 | 1 | |
| 11 | 2S3-25919-10 | .SUPPORT, PAD | 1 | 1 | |
| 12 | 3GM-25925-00 | .CLIP | 4 | 4 | |
| 13 | 1J3-W0048-00 | .BLEED SCREW KIT | 1 | 1 | |
| 14 | 5VY-2583B-00 | .PIN, KNOCK | 2 | 2 | |
| 15 | 4C8-2580U-10 | CALIPER ASSY (RIGHT) | 1 | 1 | |
| 16 | 4C8-W0057-00 | .PISTON ASSY, CALIPER | 1 | 1 | |
| 17 | 4C8-W0047-00 | ..CALIPER SEAL KIT | 1 | 1 | |
| 18 | 4C8-W0045-00 | .BRAKE PAD KIT | 1 | 1 | |
| 19 | 4SV-25924-00 | .PIN, PAD | 2 | 2 | |
| 20 | 4C8-25919-00 | .SUPPORT, PAD | 1 | 1 | |
| 21 | 2S3-25919-10 | .SUPPORT, PAD | 1 | 1 | |
| 22 | 3GM-25925-00 | .CLIP | 4 | 4 | |
| 23 | 1J3-W0048-00 | .BLEED SCREW KIT | 1 | 1 | |
| 24 | 5VY-2583B-00 | .PIN, KNOCK | 2 | 2 | |
| 25 | 90105-10397 | BOLT, FLANGE | 4 | 4 | |



1KB8300-L320

FIG. 32 REAR WHEEL

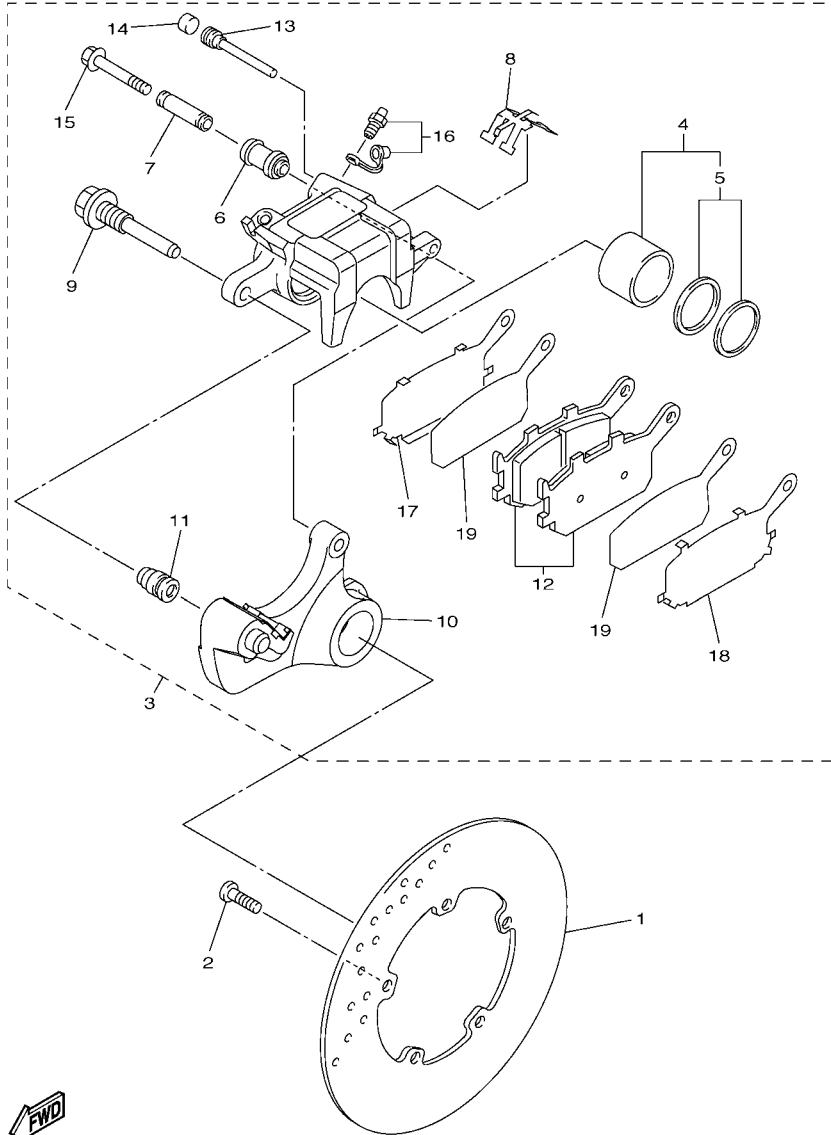
| REF. NO. | PART NO. | DESCRIPTION | TKBT | TKBU | REMARKS |
|----------|-----------------|--------------------------------|------|------|------------------|
| 1 | 5VY-25338-00-P4 | CAST WHEEL, REAR | 1 | 1 | DPBM15 FOR DPBMC |
| | 5VY-25338-00-4X | CAST WHEEL, REAR | 1 | 1 | LGB/HTR FOR MNM3 |
| | 5VY-25338-00-8L | CAST WHEEL, REAR | 1 | 1 | NG FOR BWC1 |
| 2 | 93306-20531 | BEARING | 1 | 1 | |
| 3 | 93106-40013 | OIL SEAL | 1 | 1 | |
| 4 | 93317-43580 | BEARING | 1 | 1 | |
| 5 | 93420-61M07 | CIRCLIP | 1 | 1 | |
| 6 | 5PW-25317-00 | SPACER, BEARING | 1 | 1 | |
| 7 | 4XV-25383-00 | COLLAR, WHEEL | 1 | 1 | |
| 8 | 2C0-25364-00 | DAMPER | 6 | 6 | |
| 9 | 94119-17072 | TIRE(190/55 ZR17 M/C 75W) | 1 | | UR DUNLOP |
| | * | TIRE(190/55 ZR17M/C 75W POWER) | 1 | | UR LM MICHELIN |
| | * | TIRE(190/55 ZR17M/C 75W POWER) | | 1 | LM MICHELIN |
| 10 | 93900-00030 | VALVE, RIM (TR412) | 1 | 1 | TAIHEIYO |
| 11 | 5MT-25398-00 | BALANCER, WHEEL (10G) | 1 | 1 | UN |
| | 5MT-25398-10 | BALANCER, WHEEL (20G) | 1 | 1 | UN |
| | 5MT-25398-20 | BALANCER, WHEEL (30G) | 1 | 1 | UN |
| 12 | 5JJ-25366-00 | CLUTCH, HUB | 1 | 1 | |
| 13 | 93306-20531 | BEARING | 1 | 1 | |
| 14 | 93106-40013 | OIL SEAL | 1 | 1 | |
| 15 | 14B-25447-20 | SPROCKET, DRIVEN (47T) | 1 | 1 | |
| 16 | 90116-10048 | BOLT, STUD | 6 | 6 | |
| 17 | 90185-10011 | NUT, SELF-LOCKING | 6 | 6 | |
| 18 | 90387-28016 | COLLAR | 1 | 1 | |
| 19 | 90387-28019 | COLLAR | 1 | 1 | |
| 20 | 5VY-25388-00 | PULLER, CHAIN 1 | 1 | 1 | |
| 21 | 5VY-25389-01 | PULLER, CHAIN 2 | 1 | 1 | |



1KB8300-L320

FIG. 32 REAR WHEEL

| REF. NO. | PART NO. | DESCRIPTION | 1KBT | 1KBU | | REMARKS |
|----------|--------------|------------------------------|------|------|--|---------|
| 22 | 4C8-25381-00 | AXLE, WHEEL | 1 | 1 | | |
| 23 | 90185-24007 | NUT, SELF-LOCKING | 1 | 1 | | |
| 24 | 90201-25020 | WASHER, PLATE | 1 | 1 | | |
| 25 | 94582-30120 | CHAIN (DID 50VAZ-120LL) | 1 | 1 | | |
| 26 | 94682-30031 | .JOINT, CHAIN (DID 50VAZ-ZJ) | 1 | 1 | | |
| ----- | | | | | | |
| ----- | | | | | | |
| ----- | | | | | | |
| ----- | | | | | | |
| ----- | | | | | | |
| ----- | | | | | | |
| ----- | | | | | | |
| ----- | | | | | | |
| ----- | | | | | | |



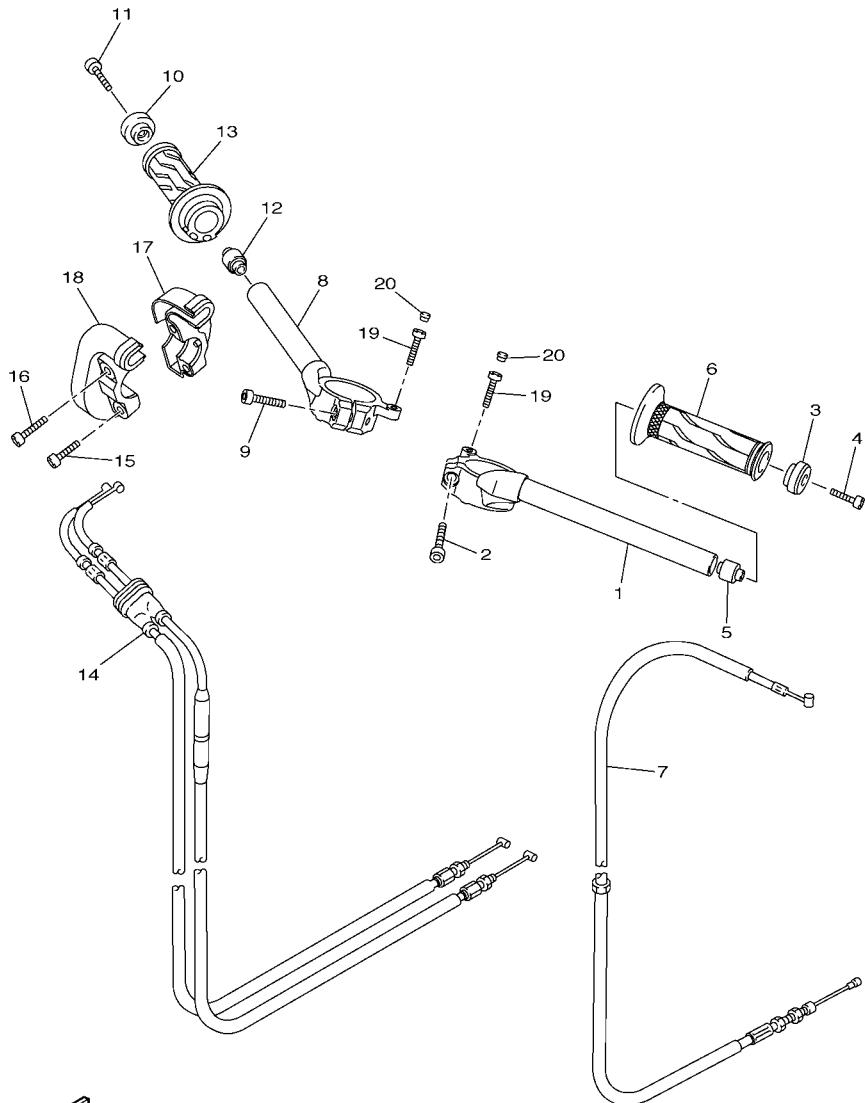
14B1300-H330

FIG. 33 REAR BRAKE CALIPER

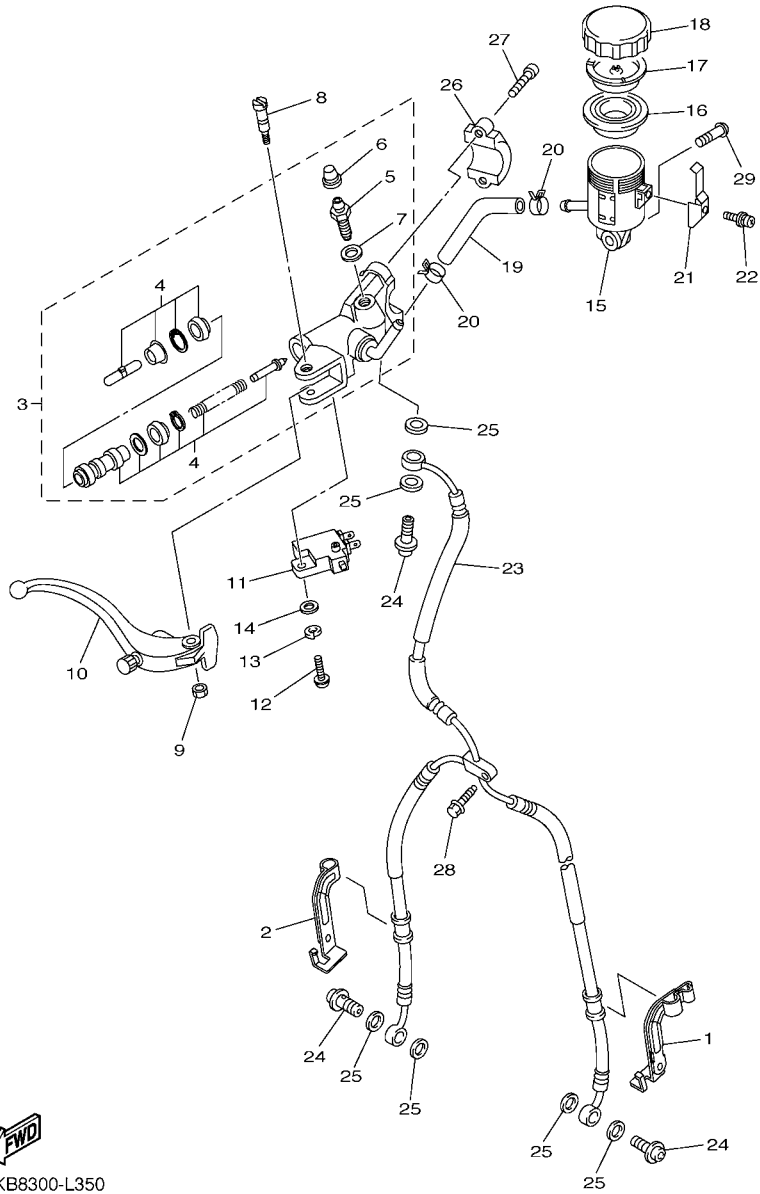
| REF. NO. | PART NO. | DESCRIPTION | TKBT | TKBU | REMARKS |
|----------|--------------|-----------------------|------|------|---------|
| 1 | 5SL-2582W-00 | DISK, REAR BRAKE 2 | 1 | 1 | |
| 2 | 90149-08009 | SCREW | 5 | 5 | |
| 3 | 5VY-2580W-12 | CALIPER ASSY, REAR 2 | 1 | 1 | |
| 4 | 5VY-W0057-00 | .PISTON ASSY, CALIPER | 1 | 1 | |
| 5 | 5SL-W0047-00 | ..CALIPER SEAL KIT | 1 | 1 | |
| 6 | 5SL-25917-00 | .BOOT, CALIPER | 1 | 1 | |
| 7 | 5SL-25838-00 | .SLEEVE, CALIPER | 1 | 1 | |
| 8 | 5SL-25919-00 | .SUPPORT, PAD | 1 | 1 | |
| 9 | 5SL-25914-00 | .PIN, SLIDE | 1 | 1 | |
| 10 | 5VY-25921-01 | .BRACKET, SUPPORT | 1 | 1 | |
| 11 | 3JD-25917-00 | .BOOT, CALIPER | 1 | 1 | |
| 12 | 5VX-W0046-00 | .BRAKE PAD KIT 2 | 1 | 1 | |
| 13 | 8CR-25924-00 | .PIN, PAD | 1 | 1 | |
| 14 | 5DH-25916-00 | .PLUG | 1 | 1 | |
| 15 | 5SL-25926-00 | .BOLT | 1 | 1 | |
| 16 | 1UY-W0048-00 | .BLEED SCREW KIT | 1 | 1 | |
| 17 | 5SL-25827-00 | .SHIM, CALIPER | 1 | 1 | |
| 18 | 5SL-25827-10 | .SHIM, CALIPER | 1 | 1 | |
| 19 | 5SL-25828-01 | .SHIM, CALIPER | 2 | 2 | |

FIG. 34 STEERING HANDLE & CABLE

| REF. NO. | PART NO. | DESCRIPTION | TKBT | TKBU | | REMARKS |
|----------|--------------|---------------------------|------|------|--|---------|
| 1 | 14B-26121-00 | HANDLEBAR (LEFT) | 1 | 1 | | |
| 2 | 91314-08025 | BOLT, HEXAGON SOCKET HEAD | 1 | 1 | | |
| 3 | 5PW-26246-10 | END, GRIP | 1 | 1 | | |
| 4 | 91317-06025 | BOLT | 1 | 1 | | |
| 5 | 4XV-23434-00 | HOLDER, DAMPER | 1 | 1 | | |
| 6 | 2C0-26241-00 | GRIP | 1 | 1 | | |
| 7 | 1KB-26335-00 | CABLE, CLUTCH | 1 | 1 | | |
| 8 | 14B-26122-00 | HANDLEBAR (RIGHT) | 1 | 1 | | |
| 9 | 91314-08025 | BOLT, HEXAGON SOCKET HEAD | 1 | 1 | | |
| 10 | 5PW-26246-10 | END, GRIP | 1 | 1 | | |
| 11 | 91317-06025 | BOLT | 1 | 1 | | |
| 12 | 4XV-23434-00 | HOLDER, DAMPER | 1 | 1 | | |
| 13 | 4C8-26240-00 | GRIP ASSY | 1 | 1 | | |
| 14 | 14B-26302-01 | THROTTLE CABLE ASSY | 1 | 1 | | |
| 15 | 91317-05020 | BOLT | 1 | 1 | | |
| 16 | 91317-05025 | BOLT | 1 | 1 | | |
| 17 | 3LN-26281-01 | CAP, GRIP UPPER | 1 | 1 | | |
| 18 | 3LN-26282-01 | CAP, GRIP UNDER | 1 | 1 | | |
| 19 | 91312-06025 | BOLT | 2 | 2 | | |
| 20 | 2H9-23469-00 | CAP, BOLT | 2 | 2 | | |



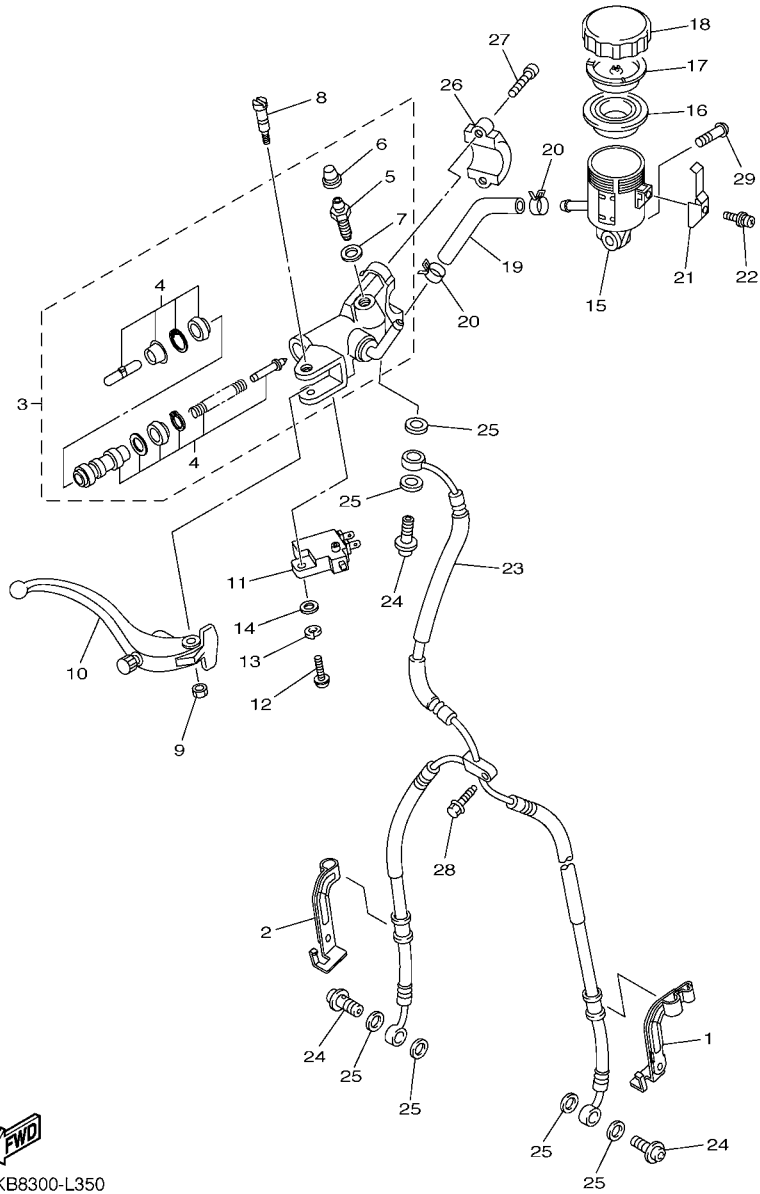
14BR300-K340



1KB8300-L350

FIG. 35 FRONT MASTER CYLINDER

| REF. NO. | PART NO. | DESCRIPTION | TKBT | TKBU | REMARKS |
|----------|--------------|--------------------------|------|------|---------|
| 1 | 1KB-25875-00 | HOLDER, BRAKE HOSE 1 | 1 | 1 | |
| 2 | 14B-25876-00 | HOLDER, BRAKE HOSE 2 | 1 | 1 | |
| 3 | 14B-W2587-00 | MASTER CYLINDER SUB ASSY | 1 | 1 | |
| 4 | 2S3-W0041-00 | .CYLINDER KIT, MASTER | 1 | 1 | |
| 5 | 3YK-25824-00 | .SCREW, BLEED | 1 | 1 | |
| 6 | 3YK-25825-00 | .CAP | 1 | 1 | |
| 7 | 5VY-25975-00 | .SEAL 1 | 1 | 1 | |
| 8 | 5VY-2589F-01 | BOLT, LEVER | 1 | 1 | |
| 9 | 95617-06100 | NUT, U | 1 | 1 | |
| 10 | 14B-83922-00 | LEVER 2 | 1 | 1 | |
| 11 | 4HM-83980-00 | FRONT STOP SWITCH ASSY | 1 | 1 | |
| 12 | 98502-04012 | SCREW, PAN HEAD | 1 | 1 | |
| 13 | 92902-04100 | WASHER, SPRING | 1 | 1 | |
| 14 | 92902-04600 | WASHER, PLATE | 1 | 1 | |
| 15 | 5SL-25894-20 | TANK, RESERVOIR | 1 | 1 | |
| 16 | 5VY-25854-00 | DIAPHRAGM, RESERVOIR | 1 | 1 | |
| 17 | 5VY-25855-00 | BUSH, DIAPHRAGM | 1 | 1 | |
| 18 | 5VY-25852-00 | CAP, RESERVOIR | 1 | 1 | |
| 19 | 5VY-25895-10 | HOSE, RESERVOIR | 1 | 1 | |
| 20 | 90467-120A3 | CLIP | 2 | 2 | |
| 21 | 5VY-2589G-00 | HOLDER | 1 | 1 | |
| 22 | 5VY-2589H-00 | SCREW | 1 | 1 | |
| 23 | 1KB-25872-00 | HOSE, BRAKE 1 | 1 | 1 | |
| 24 | 90401-10172 | BOLT, UNION | 3 | 3 | |
| 25 | 90430-10005 | GASKET | 6 | 6 | |
| 26 | 5VS-25867-00 | BRACKET, MASTER CYLINDER | 1 | 1 | |
| 27 | 91317-06020 | BOLT | 2 | 2 | |



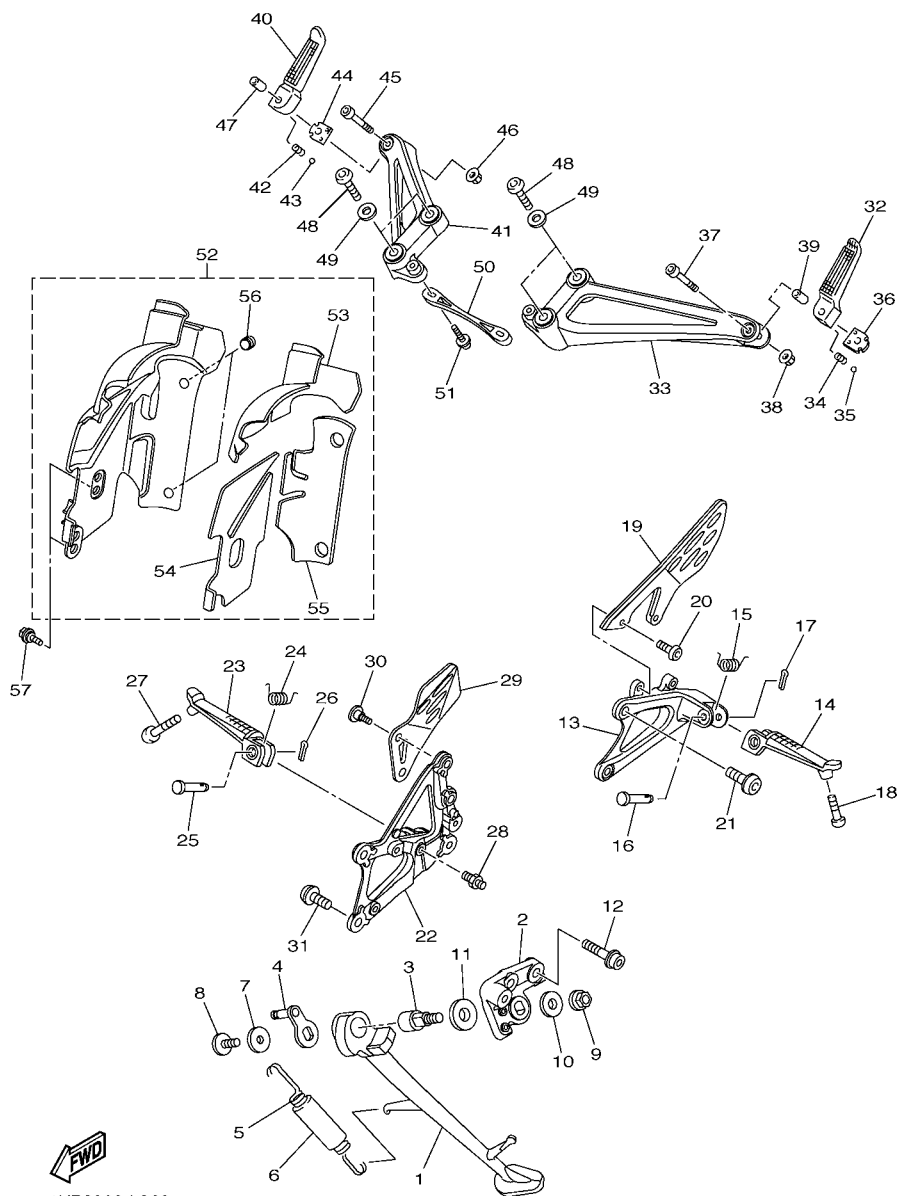
1KB8300-L350

FIG. 35 FRONT MASTER CYLINDER

| REF. NO. | PART NO. | DESCRIPTION | 1KBT | 1KBU | REMARKS |
|----------|-------------|--------------------------|------|------|---------|
| 28 | 90105-06041 | BOLT, FLANGE | 1 | 1 | |
| 29 | 90111-05026 | BOLT, HEX. SOCKET BUTTON | 1 | 1 | |
| ----- | | | | | |
| ----- | | | | | |
| ----- | | | | | |
| ----- | | | | | |
| ----- | | | | | |
| ----- | | | | | |
| ----- | | | | | |
| ----- | | | | | |
| ----- | | | | | |

FIG. 36 STAND & FOOTREST

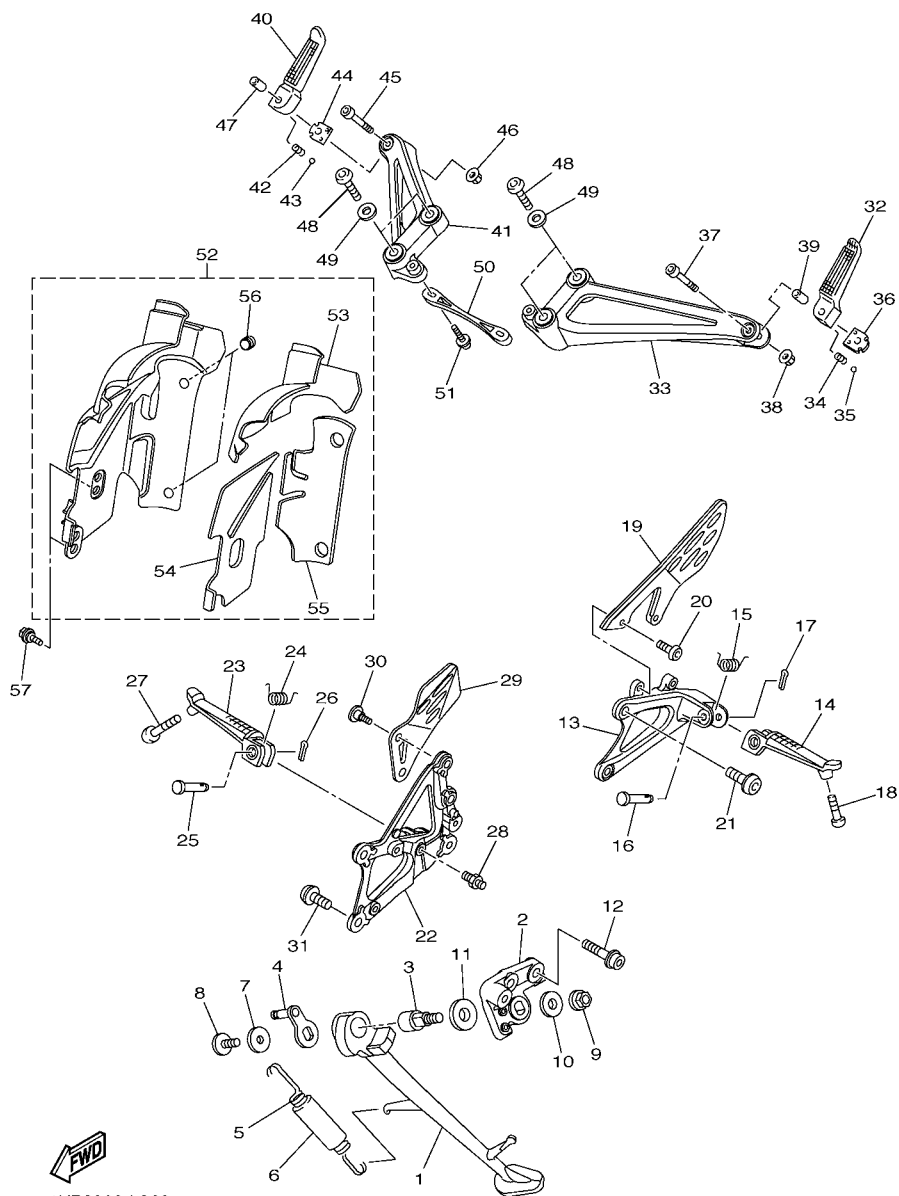
| REF. NO. | PART NO. | DESCRIPTION | TKBT | TKBU | REMARKS |
|----------|--------------|---------------------------|------|------|---------|
| 1 | 14B-27311-00 | STAND, SIDE | 1 | 1 | |
| 2 | 14B-27321-00 | BRACKET, SIDE STAND | 1 | 1 | |
| 3 | 14B-27351-00 | GUIDE, SIDE STAND | 1 | 1 | |
| 4 | 14B-27352-00 | HOOK, SIDE STAND | 1 | 1 | |
| 5 | 90506-18008 | SPRING, TENSION | 1 | 1 | |
| 6 | 90445-19002 | HOSE (L60) | 1 | 1 | |
| 7 | 90201-081R9 | WASHER, PLATE | 1 | 1 | |
| 8 | 90111-08073 | BOLT,HEX. SOCKET BUTTON | 1 | 1 | |
| 9 | 95602-10200 | NUT, U FLANGE | 1 | 1 | |
| 10 | 90201-10035 | WASHER, PLATE | 1 | 1 | |
| 11 | 90201-146F9 | WASHER, PLATE | 1 | 1 | |
| 12 | 90110-10025 | BOLT, HEXAGON SOCKET HEAD | 2 | 2 | |
| 13 | 14B-27442-10 | BRACKET 2 | 1 | 1 | |
| 14 | 1KB-27451-00 | FOOTREST | 1 | 1 | |
| 15 | 90508-18134 | SPRING, TORSION | 1 | 1 | |
| 16 | 90240-08084 | PIN, CLEVIS | 1 | 1 | |
| 17 | 91401-25015 | PIN, COTTER | 1 | 1 | |
| 18 | 90109-08174 | BOLT | 1 | 1 | |
| 19 | 14B-27445-10 | PLATE 1 | 1 | 1 | |
| 20 | 90111-06003 | BOLT,HEX. SOCKET BUTTON | 2 | 2 | |
| 21 | 90109-085G6 | BOLT | 2 | 2 | |
| 22 | 14B-27443-10 | BRACKET 3 | 1 | 1 | |
| 23 | 1KB-27461-00 | FOOTREST | 1 | 1 | |
| 24 | 90508-18135 | SPRING, TORSION | 1 | 1 | |
| 25 | 90240-08084 | PIN, CLEVIS | 1 | 1 | |
| 26 | 91401-25015 | PIN, COTTER | 1 | 1 | |
| 27 | 90109-08174 | BOLT | 1 | 1 | |



1KB8300-L360

FIG. 36 STAND & FOOTREST

| REF. NO. | PART NO. | DESCRIPTION | TKBT | TKBU | REMARKS |
|----------|--------------|--------------------------|------|------|---------|
| 28 | 4C8-27813-00 | PIN, PEDAL CRANK | 1 | 1 | |
| 29 | 14B-27446-10 | PLATE 2 | 1 | 1 | |
| 30 | 90109-066F0 | BOLT | 2 | 2 | |
| 31 | 90109-085G6 | BOLT | 2 | 2 | |
| 32 | 5JJ-27431-10 | FOOTREST, REAR 1 | 1 | 1 | |
| 33 | 14B-2741L-10 | BRACKET 4 | 1 | 1 | |
| 34 | 90501-12743 | SPRING, COMPRESSION | 1 | 1 | |
| 35 | 93501-04011 | BALL | 1 | 1 | |
| 36 | 5JJ-27437-01 | WASHER, SPECIAL | 1 | 1 | |
| 37 | 91312-06035 | BOLT | 1 | 1 | |
| 38 | 95602-06200 | NUT, SELF-LOCKING | 1 | 1 | |
| 39 | 90387-06697 | COLLAR | 1 | 1 | |
| 40 | 5JJ-27441-10 | FOOTREST, REAR 2 | 1 | 1 | |
| 41 | 14B-2742L-10 | BRACKET 5 | 1 | 1 | |
| 42 | 90501-12743 | SPRING, COMPRESSION | 1 | 1 | |
| 43 | 93501-04011 | BALL | 1 | 1 | |
| 44 | 5JJ-27437-01 | WASHER, SPECIAL | 1 | 1 | |
| 45 | 91312-06035 | BOLT | 1 | 1 | |
| 46 | 95602-06200 | NUT, SELF-LOCKING | 1 | 1 | |
| 47 | 90387-06697 | COLLAR | 1 | 1 | |
| 48 | 90111-08066 | BOLT, HEX. SOCKET BUTTON | 4 | 4 | |
| 49 | 13S-27417-00 | WASHER, FOOTREST | 4 | 4 | |
| 50 | 14B-27469-00 | REINFORCEMENT 1 | 1 | 1 | |
| 51 | 90109-06031 | BOLT | 2 | 2 | |
| 52 | 14B-27490-00 | PROTECTOR ASSY | 1 | 1 | |
| 53 | 14B-2749A-00 | .SEAT 3 | 1 | 1 | |
| 54 | 14B-2749B-00 | .SEAT 4 | 1 | 1 | |



1KB8300-L360

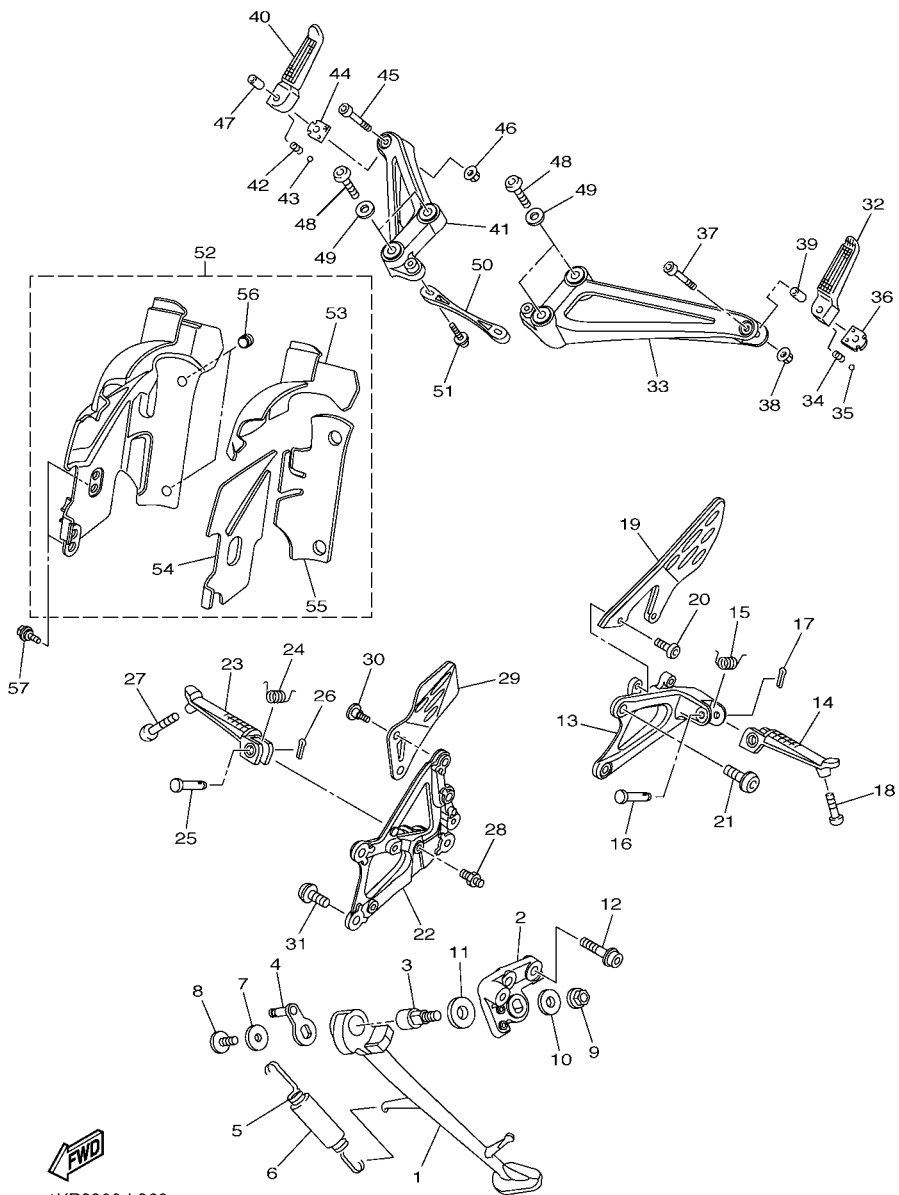
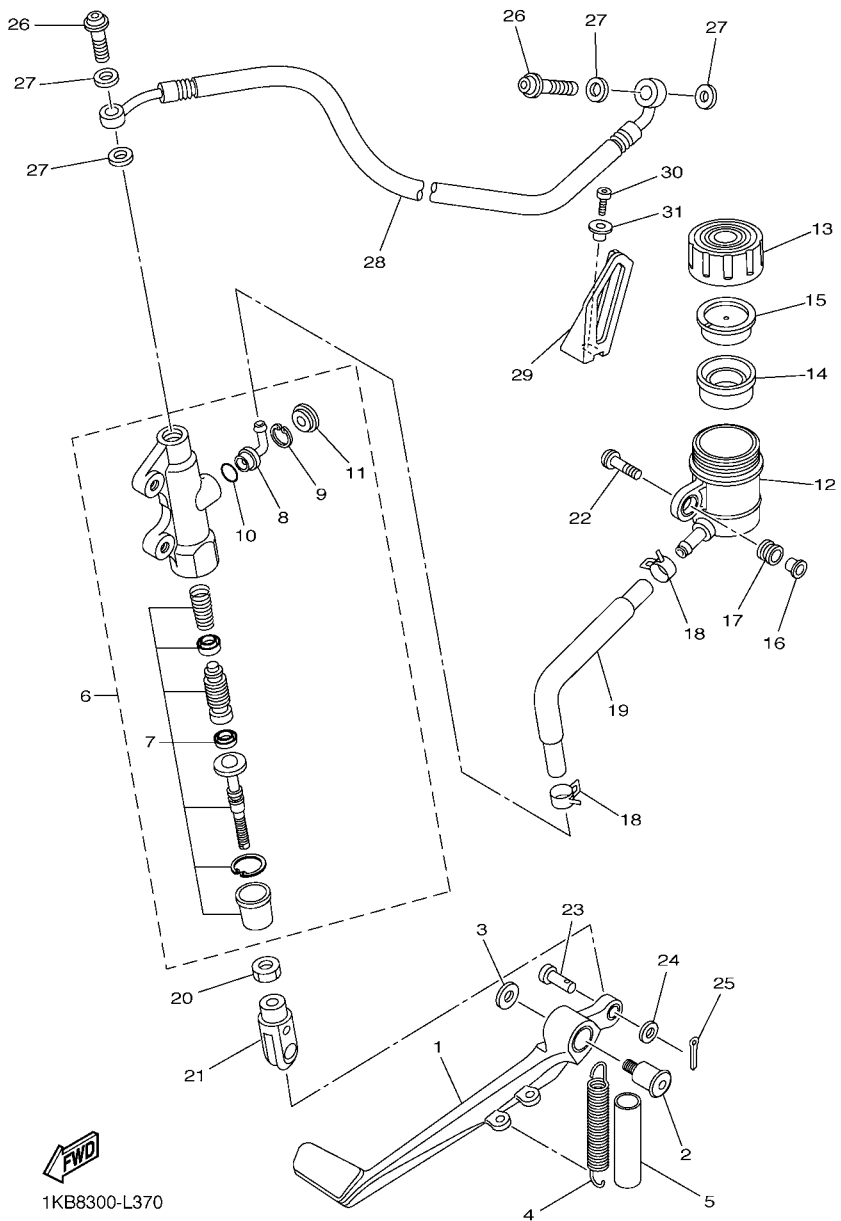


FIG. 36 STAND & FOOTREST

| REF. NO. | PART NO. | DESCRIPTION | 1KBT | 1KBU | | | | REMARKS |
|----------|--------------|------------------|------|------|--|--|--|---------|
| 55 | 14B-2749D-00 | .SEAT 6 | 1 | 1 | | | | |
| 56 | 2D1-14737-00 | .DAMPER, MUFFLER | 2 | 2 | | | | |
| 57 | 90109-06264 | BOLT | 2 | 2 | | | | |
| | | | | | | | | |
| | | | | | | | | |
| | | | | | | | | |
| | | | | | | | | |
| | | | | | | | | |
| | | | | | | | | |
| | | | | | | | | |
| | | | | | | | | |

FIG. 37 REAR MASTER CYLINDER

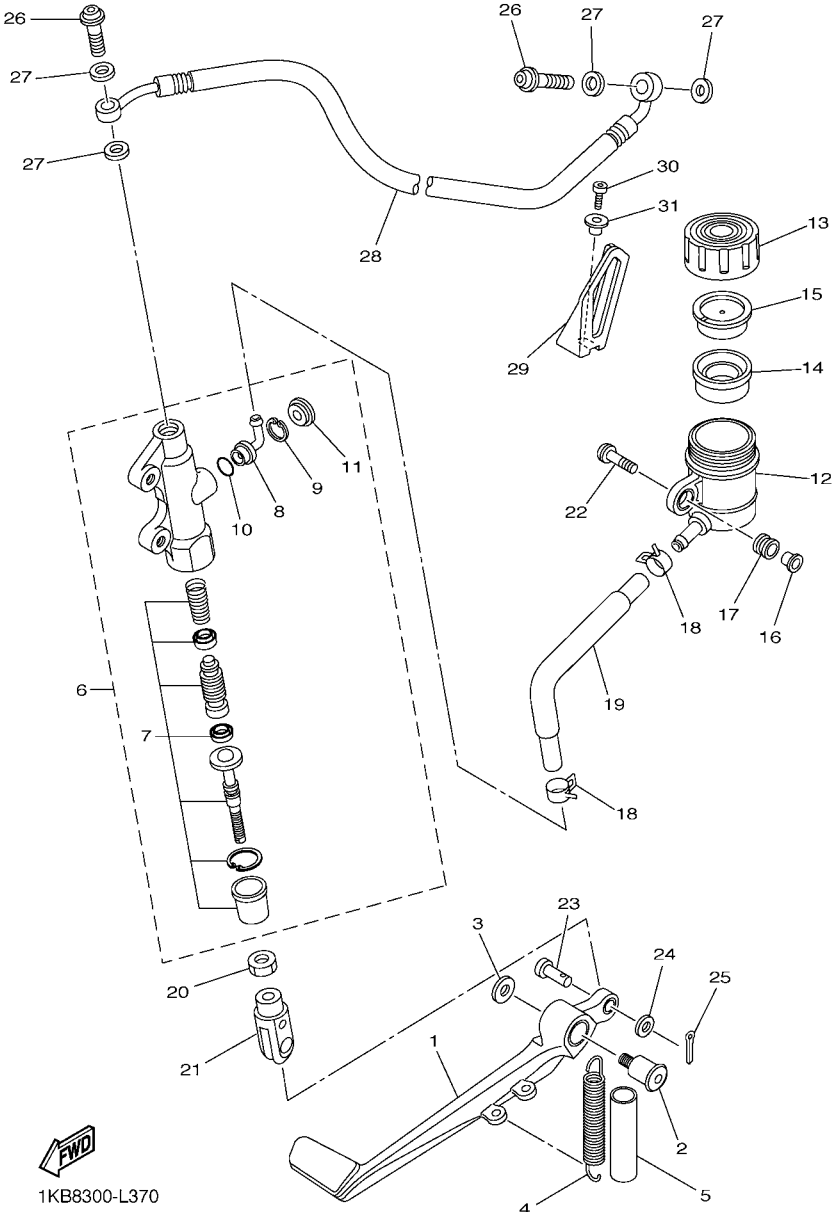
| REF. NO. | PART NO. | DESCRIPTION | TKBT | TKBU | REMARKS |
|----------|--------------|---------------------------|------|------|---------|
| 1 | 14B-27211-00 | PEDAL, BRAKE | 1 | 1 | |
| 2 | 4C8-27434-00 | BOLT | 1 | 1 | |
| 3 | 90201-08103 | WASHER, PLATE | 1 | 1 | |
| 4 | 90506-18022 | SPRING, TENSION | 1 | 1 | |
| 5 | 90446-15386 | HOSE | 1 | 1 | |
| 6 | 14B-2583V-00 | RR. MASTER CYLINDER ASSY. | 1 | 1 | |
| 7 | 14B-W0042-00 | .CYLINDER KIT, MASTER | 1 | 1 | |
| 8 | 4ML-2582A-50 | .JOINT | 1 | 1 | |
| 9 | 2VN-25866-00 | .CIRCLIP | 1 | 1 | |
| 10 | 93210-15620 | .O-RING | 1 | 1 | |
| 11 | 3FV-2589A-00 | .COVER, DUST | 1 | 1 | |
| 12 | 14B-25894-00 | TANK, RESERVOIR | 1 | 1 | |
| 13 | 2C0-25852-00 | CAP, RESERVOIR | 1 | 1 | |
| 14 | 2VN-25854-00 | DIAPHRAGM, RESERVOIR | 1 | 1 | |
| 15 | 2VN-25855-00 | BUSH, DIAPHRAGM | 1 | 1 | |
| 16 | 90387-05028 | COLLAR | 1 | 1 | |
| 17 | 2C0-26326-00 | GROMMET | 1 | 1 | |
| 18 | 90467-12085 | CLIP | 2 | 2 | |
| 19 | 14B-25895-00 | HOSE, RESERVOIR | 1 | 1 | |
| 20 | 95307-08700 | NUT | 1 | 1 | |
| 21 | 4XV-27222-01 | JOINT | 1 | 1 | |
| 22 | 90111-05026 | BOLT, HEX. SOCKET BUTTON | 1 | 1 | |
| 23 | 91702-06018 | PIN, CLEVIS | 1 | 1 | |
| 24 | 92902-06200 | WASHER | 1 | 1 | |
| 25 | 91402-16012 | PIN, COTTER | 1 | 1 | |
| 26 | 90401-10172 | BOLT, UNION | 2 | 2 | |
| 27 | 90430-10005 | GASKET | 4 | 4 | |



1KB8300-L370

FIG. 37 REAR MASTER CYLINDER

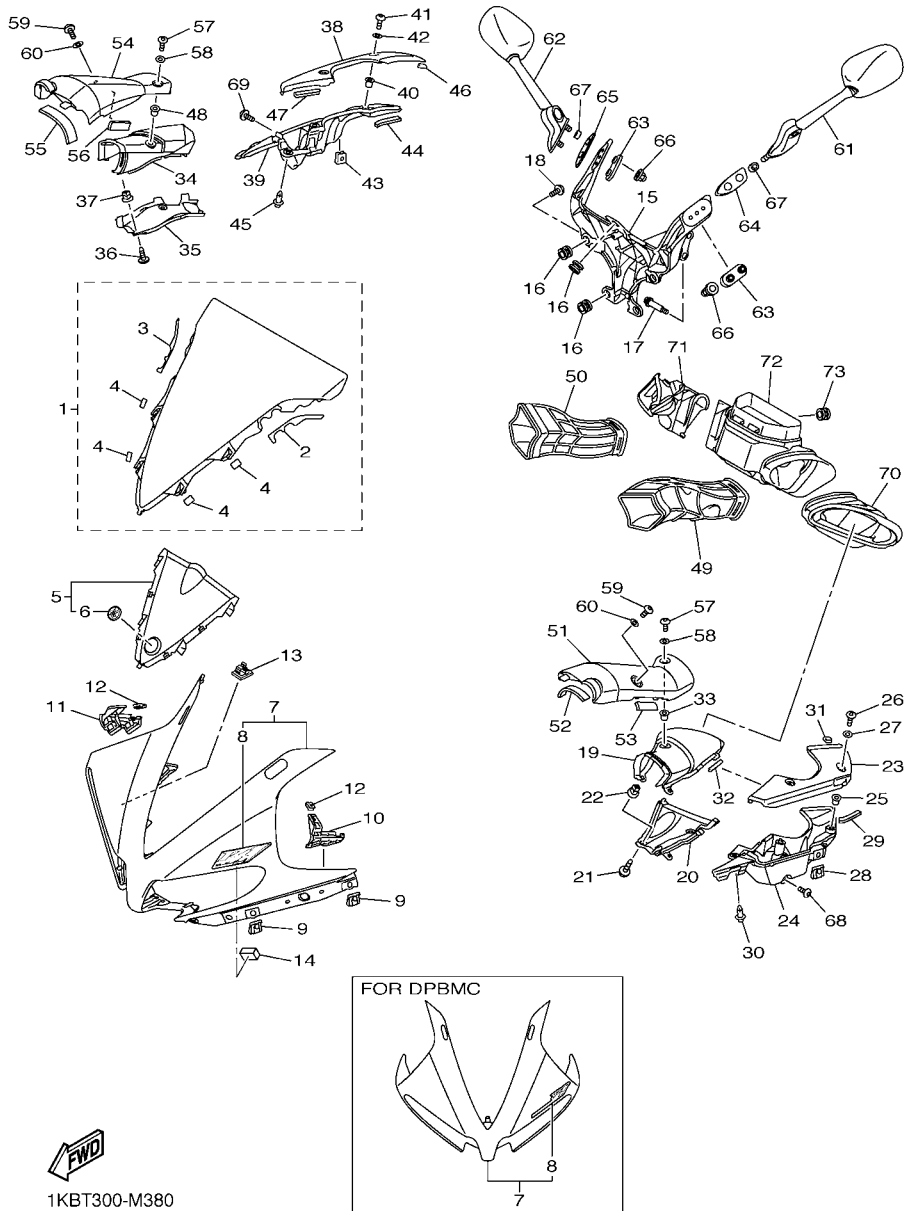
| REF. NO. | PART NO. | DESCRIPTION | 1KBT | 1KBU | REMARKS |
|----------|--------------|---------------------------|------|------|---------|
| 28 | 1KB-25874-00 | HOSE, BRAKE | 1 | 1 | |
| 29 | 1KB-2588F-00 | HOLDER, BRAKE HOSE 5 | 1 | 1 | |
| 30 | 91314-06016 | BOLT, HEXAGON SOCKET HEAD | 1 | 1 | |
| 31 | 90387-06066 | COLLAR | 1 | 1 | |
| ----- | | | | | |
| ----- | | | | | |
| ----- | | | | | |
| ----- | | | | | |
| ----- | | | | | |
| ----- | | | | | |
| ----- | | | | | |
| ----- | | | | | |
| ----- | | | | | |



1KB8300-L370

FIG. 38 COWLING 1

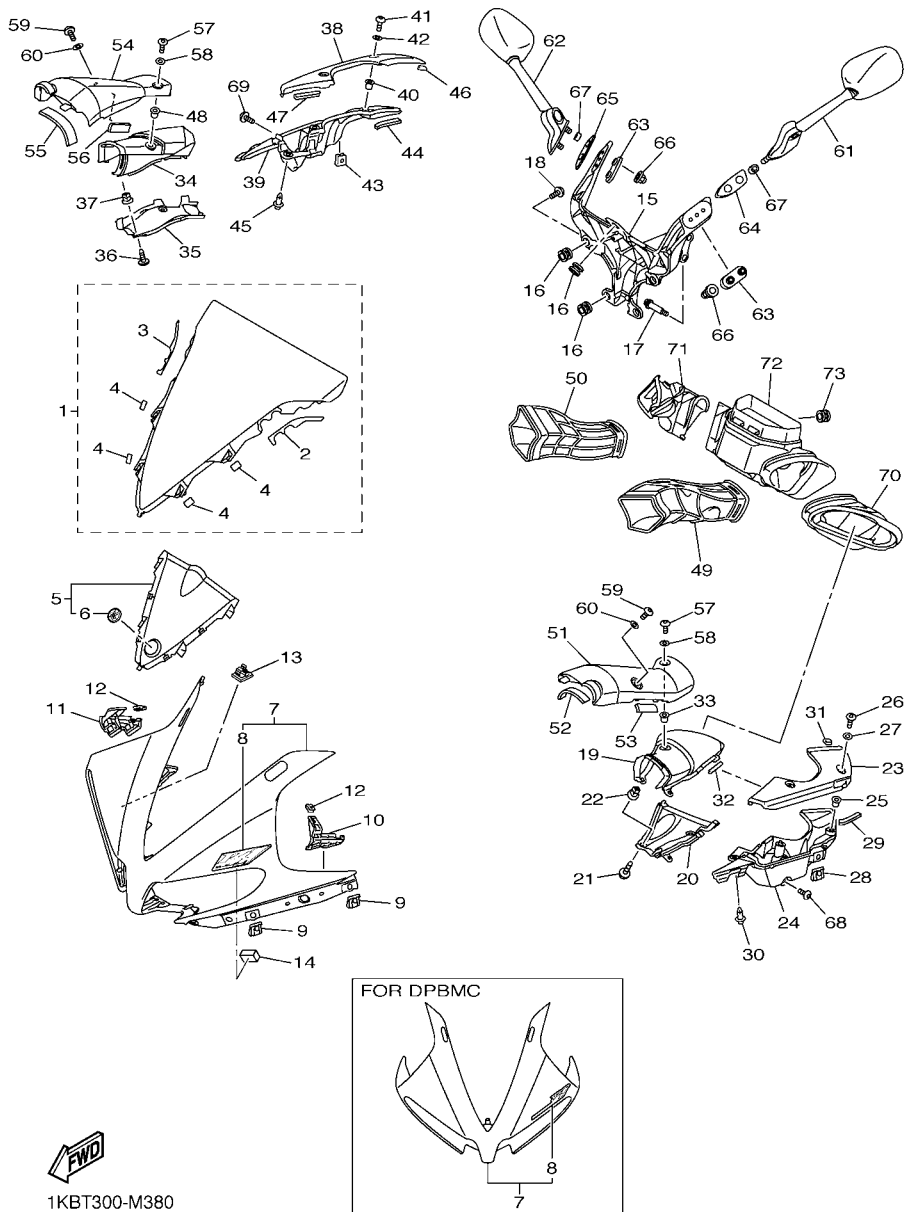
| REF. NO. | PART NO. | DESCRIPTION | TKBT | TKBU | REMARKS |
|----------|-----------------|----------------------|------|------|--------------|
| 1 | 14B-28380-30 | WINDSCREEN ASSY | 1 | 1 | |
| 2 | 14B-28428-10 | .SEAL 1 | 1 | 1 | |
| 3 | 14B-28429-10 | .SEAL 2 | 1 | 1 | |
| 4 | 4C8-21735-00 | .SEAL 2 | 4 | 4 | |
| 5 | 1KB-2830P-00 | PANEL ASSY | 1 | 1 | |
| 6 | 4KN-2836B-10 | .TUNING FORK MARK | 1 | 1 | |
| 7 | 1KB-W283G-40-P2 | BODY, FRONT UPPER 1 | 1 | 1 | UR FOR DPBMC |
| | 1KB-W283G-00-P0 | BODY, FRONT UPPER 1 | 1 | 1 | UR FOR MNM3 |
| | 1KB-W283G-10-P1 | BODY, FRONT UPPER 1 | 1 | 1 | UR FOR BWC1 |
| 8 | 1KB-28328-30 | .EMBLEM | 1 | 1 | UR FOR DPBMC |
| | 1KB-28328-00 | .EMBLEM | 1 | 1 | UR FOR MNM3 |
| | 1KB-28328-10 | .EMBLEM | 1 | 1 | UR FOR BWC1 |
| 9 | 5PW-2177L-00 | PLATE, SPRING | 4 | 4 | |
| 10 | 1KB-2831U-00 | STAY, SIDE 1 | 1 | 1 | |
| 11 | 1KB-2832U-00 | STAY, SIDE 1 | 1 | 1 | |
| 12 | 90183-05076 | NUT, SPRING | 2 | 2 | |
| 13 | 90464-16020 | CLAMP | 1 | 1 | |
| 14 | 90520-15010 | DAMPER, PLATE | 2 | 2 | |
| 15 | 14B-28356-10 | STAY 1 | 1 | 1 | |
| 16 | 4XV-83513-00 | DAMPER | 7 | 7 | |
| 17 | 90105-08052 | BOLT, FLANGE | 2 | 2 | |
| 18 | 90160-05006 | SCREW, ROUND TAPPING | 4 | 4 | |
| 19 | 14B-2838N-00-P5 | DUCT 1 | 1 | 1 | MBL2 |
| 20 | 14B-2838T-00 | DUCT 3 | 1 | 1 | |
| 21 | 97702-50012 | SCREW, TAPPING | 2 | 2 | |
| 22 | 90480-08005 | GROMMET | 2 | 2 | |
| 23 | 14B-2839K-00-P5 | LID 1 | 1 | 1 | MBL2 |



1KBT300-M380

FIG. 38 COWLING 1

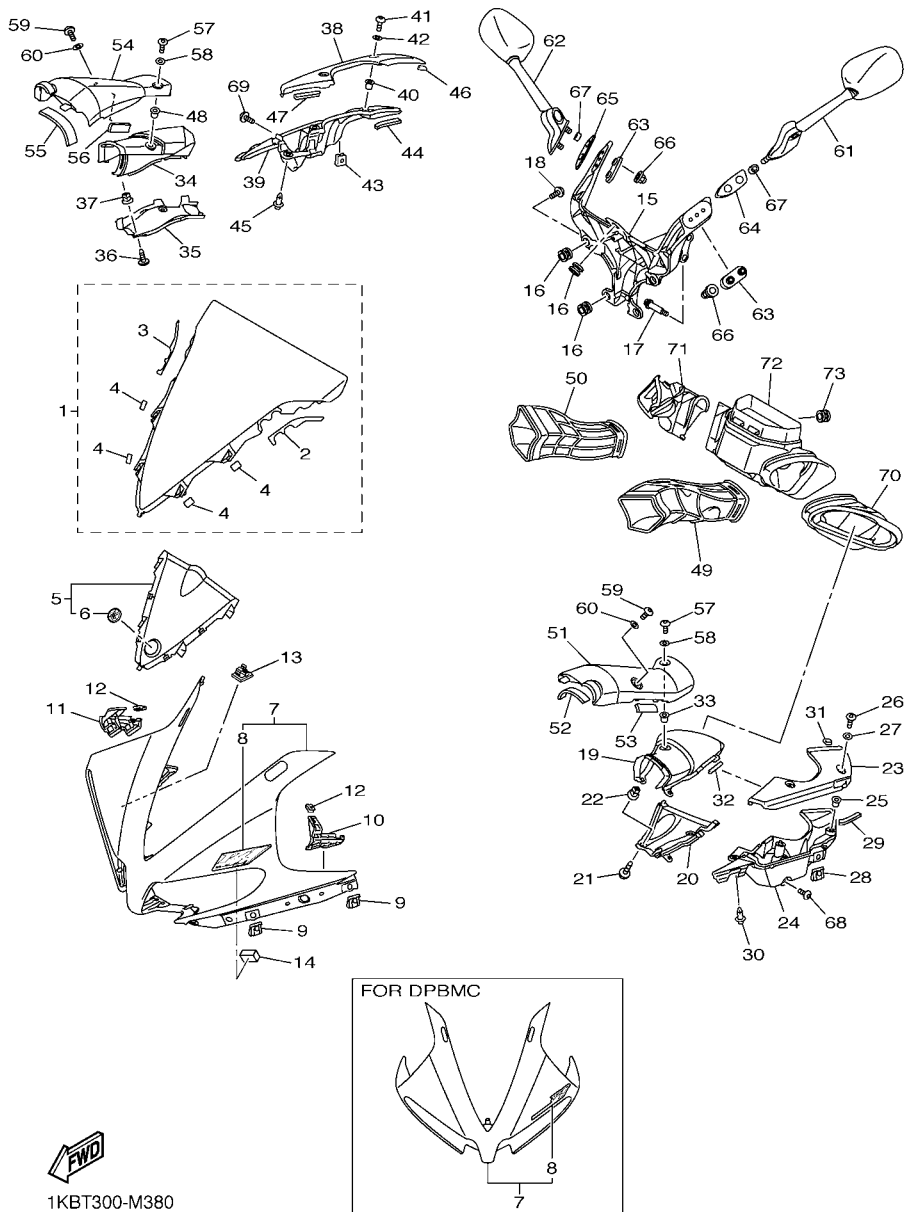
| REF. NO. | PART NO. | DESCRIPTION | TKBT | TKBU | REMARKS |
|----------|-----------------|-------------------------|------|------|---------|
| 24 | 14B-2838V-00 | BOX 3 | 1 | 1 | |
| 25 | 90179-05523 | NUT | 2 | 2 | |
| 26 | 90111-05034 | BOLT,HEX. SOCKET BUTTON | 2 | 2 | |
| 27 | 90202-05180 | WASHER, PLATE | 2 | 2 | |
| 28 | 5PW-2177L-00 | PLATE, SPRING | 1 | 1 | |
| 29 | J44-78248-00 | SEAL 4 | 1 | 1 | |
| 30 | 90269-07077 | RIVET | 1 | 1 | |
| 31 | 90520-01001 | DAMPER, PLATE | 1 | 1 | |
| 32 | 90520-03005 | DAMPER, PLATE | 1 | 1 | |
| 33 | 90179-05523 | NUT | 1 | 1 | |
| 34 | 14B-2838R-00-P5 | DUCT 2 | 1 | 1 | MBL2 |
| 35 | 14B-2838U-00 | DUCT 4 | 1 | 1 | |
| 36 | 97702-50012 | SCREW, TAPPING | 2 | 2 | |
| 37 | 90480-08005 | GROMMET | 2 | 2 | |
| 38 | 14B-2839L-00-P5 | LID 2 | 1 | 1 | MBL2 |
| 39 | 14B-2838W-00 | BOX 4 | 1 | 1 | |
| 40 | 90179-05523 | NUT | 2 | 2 | |
| 41 | 90111-05034 | BOLT,HEX. SOCKET BUTTON | 2 | 2 | |
| 42 | 90202-05180 | WASHER, PLATE | 2 | 2 | |
| 43 | 5PW-2177L-00 | PLATE, SPRING | 1 | 1 | |
| 44 | J44-78248-00 | SEAL 4 | 1 | 1 | |
| 45 | 90269-07077 | RIVET | 1 | 1 | |
| 46 | 90520-01001 | DAMPER, PLATE | 1 | 1 | |
| 47 | 90520-03005 | DAMPER, PLATE | 1 | 1 | |
| 48 | 90179-05523 | NUT | 1 | 1 | |
| 49 | 14B-2838J-00 | DUCT 5 | 1 | 1 | |
| 50 | 14B-2838P-00 | DUCT 6 | 1 | 1 | |



FWD
1KBT300-M380

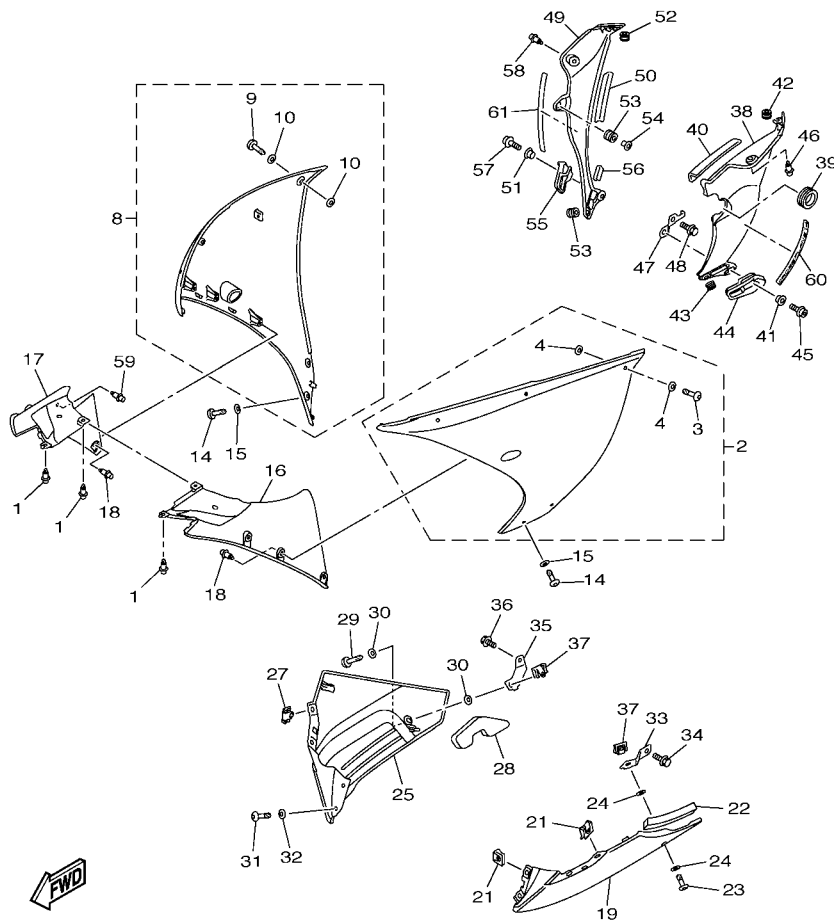
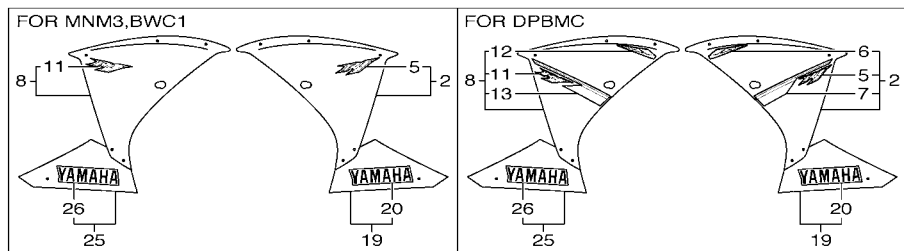
FIG. 38 COWLING 1

| REF. NO. | PART NO. | DESCRIPTION | TKBT | TKBU | REMARKS |
|----------|-----------------|-------------------------------|------|------|---------|
| 51 | 14B-2837L-00-P5 | PANEL, CONSOLE 1 | 1 | 1 | MBL2 |
| 52 | 4C8-2112D-00 | DAMPER, 3 | 1 | 1 | |
| 53 | 2S3-2111D-00 | SEAL 1 | 1 | 1 | |
| 54 | 14B-2837M-00-P5 | PANEL, CONSOLE 2 | 1 | 1 | MBL2 |
| 55 | 4C8-2112D-00 | DAMPER, 3 | 1 | 1 | |
| 56 | 2S3-2111D-00 | SEAL 1 | 1 | 1 | |
| 57 | 90111-05034 | BOLT,HEX. SOCKET BUTTON | 2 | 2 | |
| 58 | 90202-05180 | WASHER, PLATE | 2 | 2 | |
| 59 | 90111-05034 | BOLT,HEX. SOCKET BUTTON | 2 | 2 | |
| 60 | 90202-05180 | WASHER, PLATE | 2 | 2 | |
| 61 | 14B-26280-00 | REAR VIEW MIRROR ASSY (LEFT) | 1 | 1 | |
| 62 | 14B-26290-00 | REAR VIEW MIRROR ASSY (RIGHT) | 1 | 1 | |
| 63 | 4C8-26298-00 | PLATE, MIRROR FITTING 1 | 2 | 2 | |
| 64 | 14B-2628N-00 | BASE, MIRROR (LEFT) | 1 | 1 | |
| 65 | 14B-2628R-00 | BASE, MIRROR (RIGHT) | 1 | 1 | |
| 66 | 90176-06055 | NUT, CROWN | 4 | 4 | |
| 67 | 90387-064T3 | COLLAR | 4 | 4 | |
| 68 | 90111-05034 | BOLT,HEX. SOCKET BUTTON | 2 | 2 | |
| 69 | 90111-05034 | BOLT,HEX. SOCKET BUTTON | 2 | 2 | |
| 70 | 14B-2846C-00 | BOX, SIDE 1 | 1 | 1 | |
| 71 | 14B-2846D-00 | BOX, SIDE 2 | 1 | 1 | |
| 72 | 14B-2845D-00 | BOX, FRONT | 1 | 1 | |
| 73 | 90480-13567 | GROMMET | 1 | 1 | |



1KBT300-M380

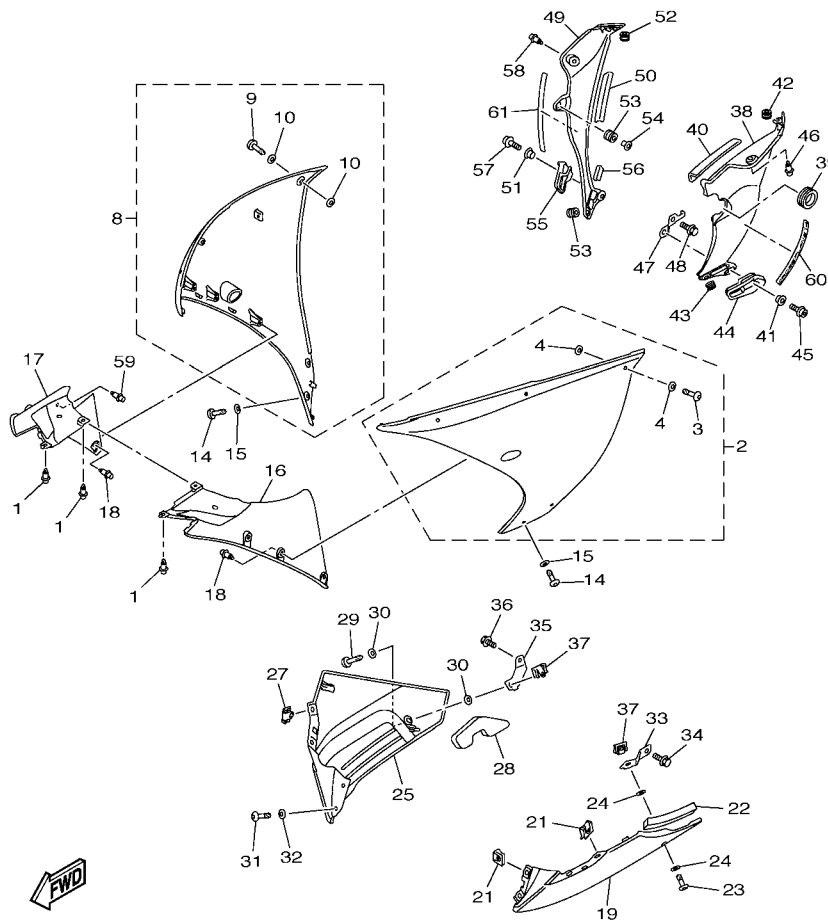
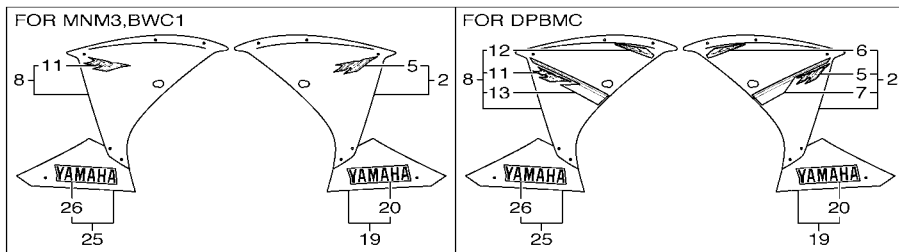
FIG. 39 COWLING 2



1KBT300-M390

| REF. NO. | PART NO. | DESCRIPTION | 1KBT | 1KBU | REMARKS |
|----------|-----------------|---------------------|------|------|-------------------|
| 1 | 90269-06008 | RIVET | 3 | 3 | |
| 2 | 14B-W283U-1A-P2 | PANEL ASSY 1 | 1 | 1 | UR FOR DPBMC |
| | 14B-W283U-D0-P0 | PANEL ASSY 1 | 1 | 1 | UR FOR MNM3 |
| | 14B-Y283U-V0-P1 | PANEL ASSEMBLY 1 | 1 | 1 | UR FOR BWC1 |
| 3 | 14B-28386-00 | .HEAD | 3 | 3 | |
| 4 | 2TK-21757-00 | .WASHER, SPECIAL 1 | 6 | 6 | |
| 5 | 14B-2839B-00 | .EMBLEM 3D | 1 | 1 | UR FOR DPBMC |
| | 1KB-2839B-00 | .EMBLEM 3D | 1 | 1 | UR FOR MNM3 |
| | 1KB-2839B-10 | .EMBLEM 3D | 1 | 1 | UR FOR BWC1 |
| 6 | 14B-28391-A0 | .GRAPHIC 1 | 1 | 1 | FOR DPBMC |
| 7 | 1KB-28391-90 | .GRAPHIC 1 | 1 | 1 | FOR DPBMC |
| 8 | 14B-W283V-1A-P2 | PANEL ASSY 2 | 1 | 1 | UR FOR DPBMC |
| | 14B-W283V-D0-P0 | PANEL ASSY 2 | 1 | 1 | UR FOR MNM3 |
| | 14B-Y283V-V0-P1 | PANEL ASSEMBLY 2 | 1 | 1 | UR FOR BWC1 |
| 9 | 14B-28386-00 | .HEAD | 3 | 3 | |
| 10 | 2TK-21757-00 | .WASHER, SPECIAL 1 | 6 | 6 | |
| 11 | 14B-2839B-00 | .EMBLEM 3D | 1 | 1 | UR FOR DPBMC |
| | 1KB-2839B-00 | .EMBLEM 3D | 1 | 1 | UR FOR MNM3 |
| | 1KB-2839B-10 | .EMBLEM 3D | 1 | 1 | UR FOR BWC1 |
| 12 | 14B-28392-A0 | .GRAPHIC 2 | 1 | 1 | FOR DPBMC |
| 13 | 1KB-28392-90 | .GRAPHIC 2 | 1 | 1 | FOR DPBMC |
| 14 | 14B-28386-00 | HEAD | 4 | 4 | |
| 15 | 90202-06005 | WASHER, PLATE | 4 | 4 | |
| 16 | 14B-2836K-00 | PANEL, INNER 1 | 1 | 1 | |
| 17 | 14B-2836L-00 | PANEL, INNER 2 | 1 | 1 | |
| 18 | 90269-06008 | RIVET | 6 | 6 | |
| 19 | 14B-W2838-U0-P0 | UNDER COVER COMP. 1 | 1 | 1 | UR MNM3 FOR DPBMC |

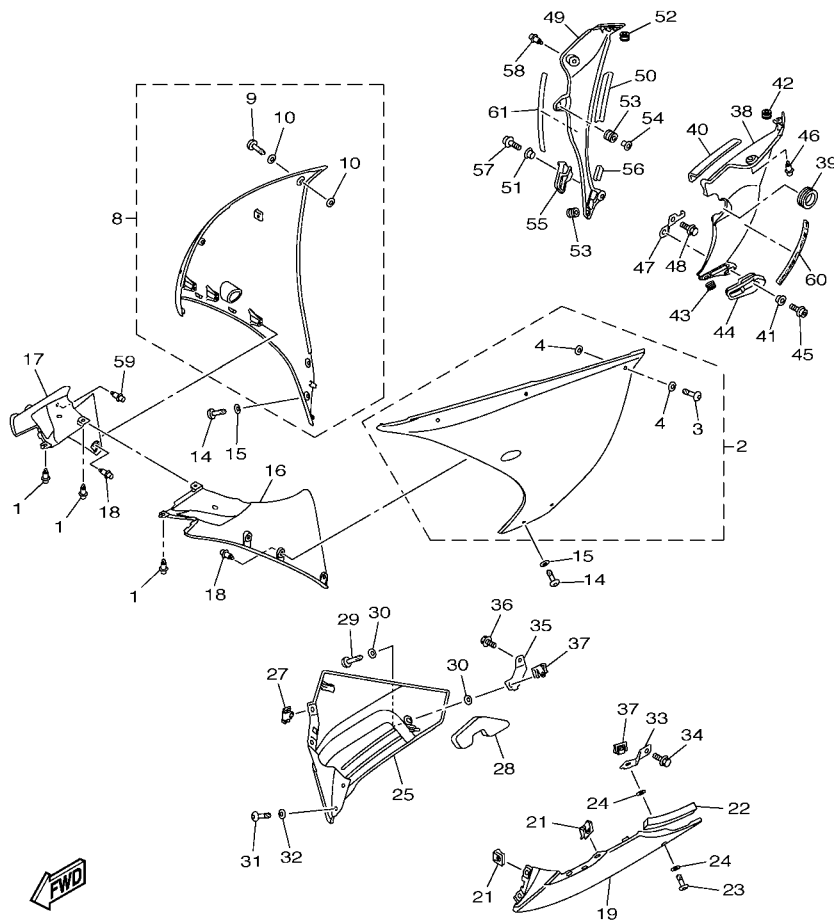
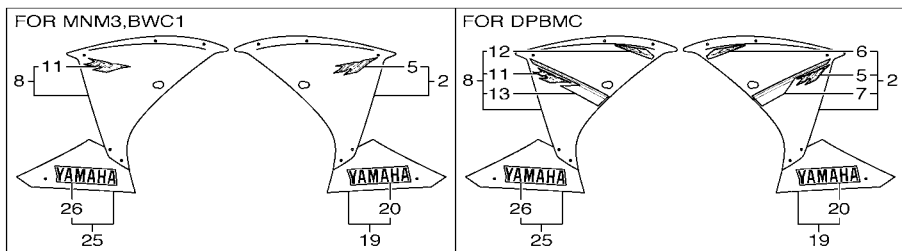
FIG. 39 COWLING 2



1KBT300-M390

| REF. NO. | PART NO. | DESCRIPTION | TKBT | TKBU | REMARKS |
|----------|-----------------|---------------------|------|------|-------------------|
| 19 | 14B-W2838-V0-P0 | UNDER COVER COMP. 1 | 1 | 1 | UR FOR MNM3 |
| | 14B-W2838-W0-P1 | UNDER COVER COMP. 1 | 1 | 1 | UR MBL2 FOR BWC1 |
| 20 | 99241-00200 | .EMBLEM, YAMAHA | 1 | 1 | UR FOR DPBMC |
| | 99244-00200 | .EMBLEM, YAMAHA | 1 | 1 | UR FOR MNM3 |
| | 99246-00200 | .EMBLEM, YAMAHA | 1 | 1 | UR FOR BWC1 |
| 21 | 5PW-2177L-00 | PLATE, SPRING | 4 | 4 | |
| 22 | 90520-30004 | DAMPER, PLATE | 1 | 1 | |
| 23 | 14B-28386-00 | HEAD | 1 | 1 | |
| 24 | 2TK-21757-00 | WASHER, SPECIAL 1 | 2 | 2 | |
| 25 | 14B-W2839-U0-P0 | UNDER COVER COMP. 2 | 1 | 1 | UR MNM3 FOR DPBMC |
| | 14B-W2839-V0-P0 | UNDER COVER COMP. 2 | 1 | 1 | UR FOR MNM3 |
| | 14B-W2839-W0-P1 | UNDER COVER COMP. 2 | 1 | 1 | UR MBL2 FOR BWC1 |
| 26 | 99241-00200 | .EMBLEM, YAMAHA | 1 | 1 | UR FOR DPBMC |
| | 99244-00200 | .EMBLEM, YAMAHA | 1 | 1 | UR FOR MNM3 |
| | 99246-00200 | .EMBLEM, YAMAHA | 1 | 1 | UR FOR BWC1 |
| 27 | 5PW-2177L-00 | PLATE, SPRING | 2 | 2 | |
| 28 | 14B-28371-10 | DAMPER | 1 | 1 | |
| 29 | 14B-28386-00 | HEAD | 1 | 1 | |
| 30 | 2TK-21757-00 | WASHER, SPECIAL 1 | 2 | 2 | |
| 31 | 14B-28386-00 | HEAD | 2 | 2 | |
| 32 | 90202-06005 | WASHER, PLATE | 2 | 2 | |
| 33 | 14B-2836A-00 | BRACKET 1 | 1 | 1 | |
| 34 | 95802-06016 | BOLT, FLANGE | 1 | 1 | |
| 35 | 14B-2836E-00 | BRACKET 2 | 1 | 1 | |
| 36 | 90105-06174 | BOLT, FLANGE | 1 | 1 | |
| 37 | 5PW-2177L-00 | PLATE, SPRING | 2 | 2 | |
| 38 | 14B-2836M-10-P8 | PANEL, INNER 3 | 1 | 1 | UR FOR DPBMC |

FIG. 39 COWLING 2



1KBT300-M390

| REF. NO. | PART NO. | DESCRIPTION | TKBT | TKBU | REMARKS |
|----------|-----------------|---------------------------|------|------|------------------|
| 38 | 14B-2836M-10-P0 | PANEL, INNER 3 | 1 | 1 | UR FOR MNM3,BWC1 |
| 39 | 14B-2836T-00 | DAMPER, LOCATING 1 | 1 | 1 | |
| 40 | 90520-05011 | DAMPER, PLATE | 1 | 1 | |
| 41 | 90560-08251 | SPACER | 1 | 1 | |
| 42 | 90480-08006 | GROMMET | 1 | 1 | |
| 43 | 90480-12596 | GROMMET | 1 | 1 | |
| 44 | 14B-283C1-00 | STOPPER, RUBBER 1 | 1 | 1 | |
| 45 | 90110-06163 | BOLT, HEXAGON SOCKET HEAD | 1 | 1 | |
| 46 | 90269-07077 | RIVET | 1 | 1 | |
| 47 | 14B-28321-00 | STAY 1 | 1 | 1 | |
| 48 | 95802-06012 | BOLT, FLANGE | 1 | 1 | |
| 49 | 14B-2836N-10-P8 | PANEL, INNER 4 | 1 | 1 | UR FOR DPBMC |
| | 14B-2836N-10-P0 | PANEL, INNER 4 | 1 | 1 | UR FOR MNM3,BWC1 |
| 50 | 3NU-21732-00 | SEAL 1 | 1 | 1 | |
| 51 | 90560-08251 | SPACER | 1 | 1 | |
| 52 | 90480-08006 | GROMMET | 1 | 1 | |
| 53 | 90480-12596 | GROMMET | 2 | 2 | |
| 54 | 90387-065J6 | COLLAR | 1 | 1 | |
| 55 | 14B-283C2-00 | STOPPER, RUBBER 2 | 1 | 1 | |
| 56 | 4B5-2847F-00 | SEAL 5 | 1 | 1 | |
| 57 | 90110-06163 | BOLT, HEXAGON SOCKET HEAD | 2 | 2 | |
| 58 | 90269-07077 | RIVET | 1 | 1 | |
| 59 | 90269-06008 | RIVET | 1 | 1 | |
| 60 | 1KB-2834C-00 | EMBLEM, 1 | 1 | 1 | FOR MNM3 |
| 61 | 1KB-2835C-00 | EMBLEM 2 | 1 | 1 | FOR MNM3 |

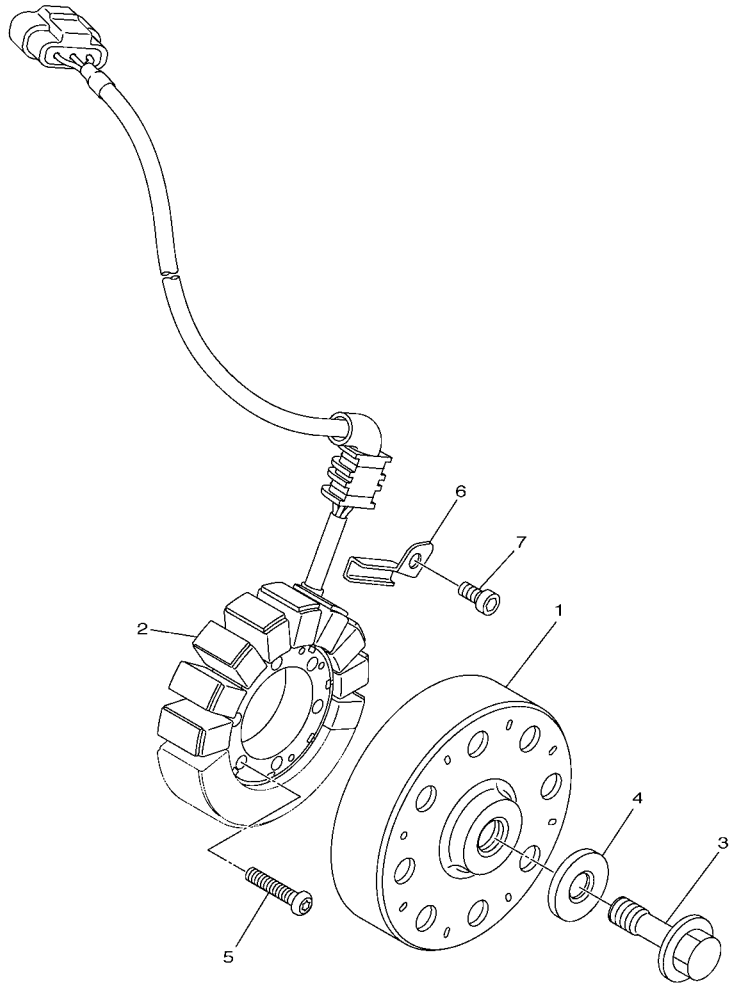
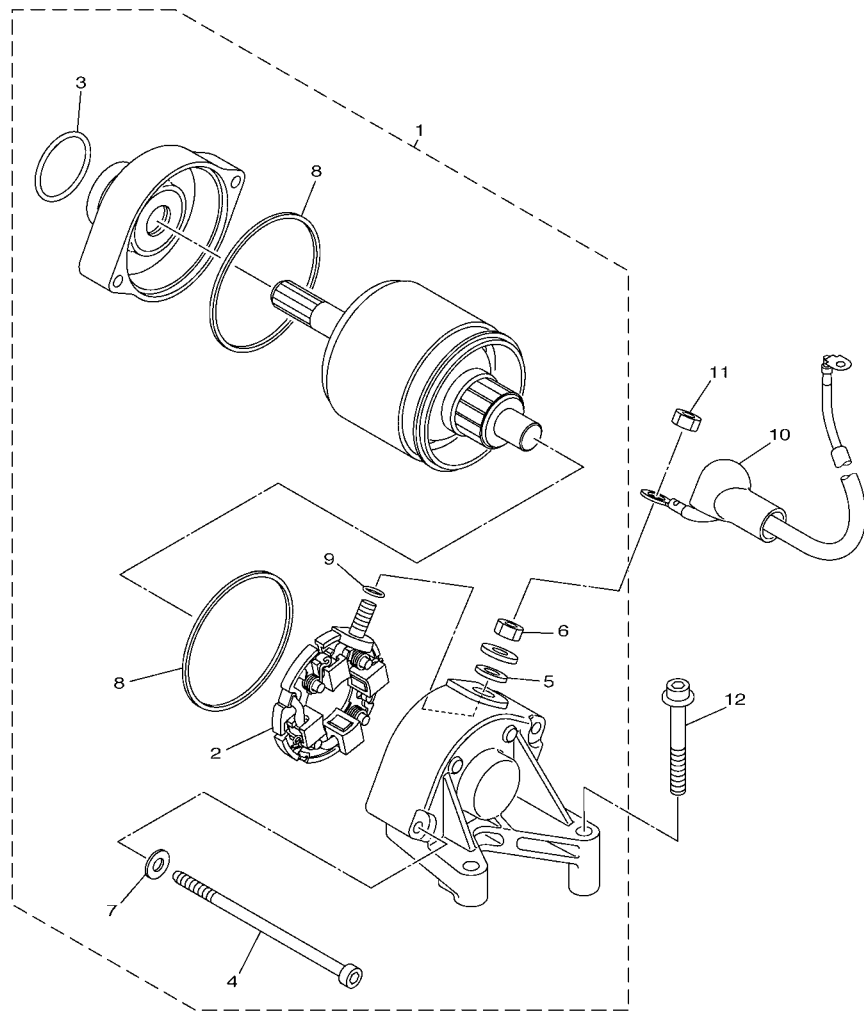


FIG. 40 GENERATOR

| REF. NO. | PART NO. | DESCRIPTION | TKBT | TKBU | | | REMARKS |
|----------|--------------|---------------------------|------|------|--|--|---------|
| | | | | | | | |
| 1 | 14B-81450-00 | ROTOR ASSY | 1 | 1 | | | |
| 2 | 14B-81410-00 | STATOR ASSY | 1 | 1 | | | |
| 3 | 90105-126A8 | BOLT, FLANGE | 1 | 1 | | | |
| 4 | 90201-12008 | WASHER, PLATE | 1 | 1 | | | |
| 5 | 90149-06128 | SCREW | 3 | 3 | | | |
| 6 | 14B-15484-00 | CLAMP 2 | 1 | 1 | | | |
| 7 | 90110-06182 | BOLT, HEXAGON SOCKET HEAD | 1 | 1 | | | |
| | | | | | | | |
| | | | | | | | |
| | | | | | | | |
| | | | | | | | |
| | | | | | | | |
| | | | | | | | |
| | | | | | | | |

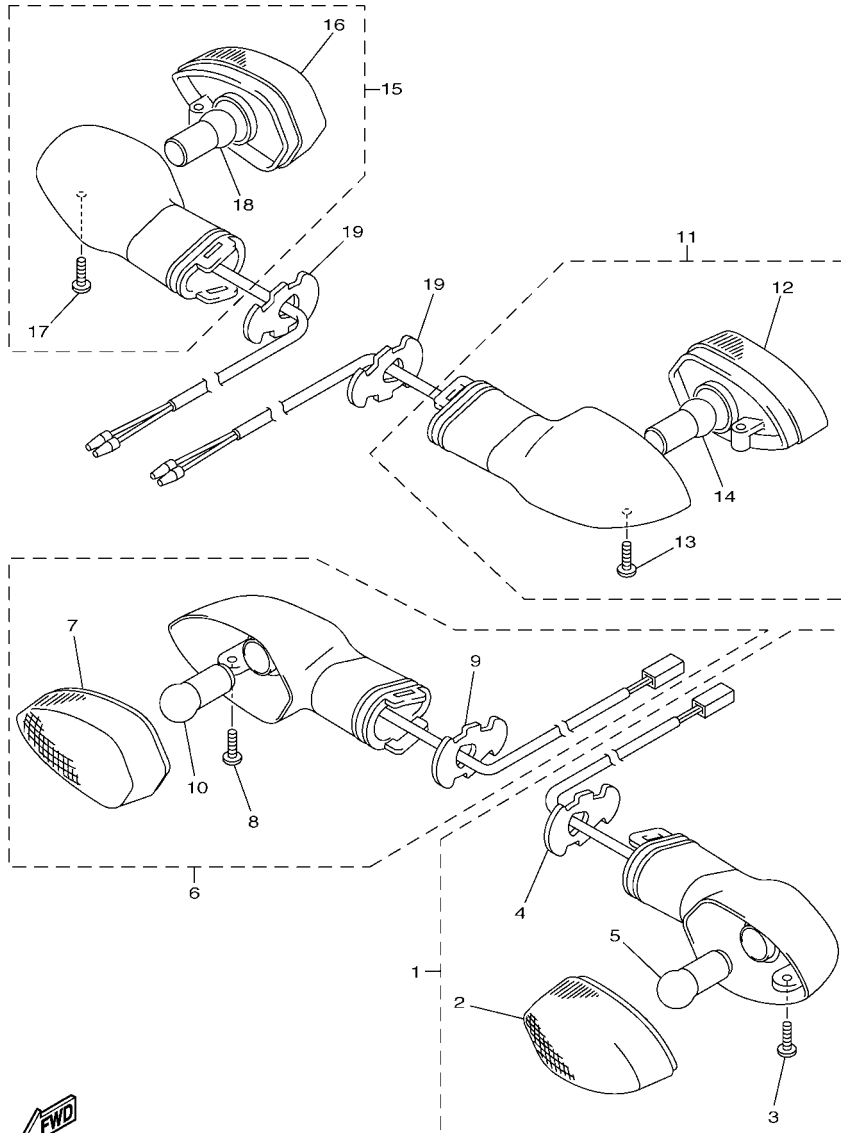

 14B1300-H400



14BR300-K410

FIG. 41 STARTING MOTOR

| REF. NO. | PART NO. | DESCRIPTION | TKBT | TKBU | | REMARKS |
|----------|--------------|----------------|------|------|--|---------|
| 1 | 14B-81890-00 | MOTOR ASSY | 1 | 1 | | |
| 2 | 4C8-81801-01 | .BRUSH SET | 1 | 1 | | |
| 3 | 93210-25711 | .O-RING | 1 | 1 | | |
| 4 | 4C8-81846-00 | .SCREW | 2 | 2 | | |
| 5 | 8FA-8181L-00 | .WASHER, PLAIN | 1 | 1 | | |
| 6 | 95302-06700 | .NUT | 1 | 1 | | |
| 7 | 90201-05021 | .WASHER, PLATE | 2 | 2 | | |
| 8 | 4C8-81861-00 | .GASKET | 2 | 2 | | |
| 9 | 93210-06001 | .O-RING | 1 | 1 | | |
| 10 | 14B-8183G-10 | CORD COMP. | 1 | 1 | | |
| 11 | 95302-06700 | NUT | 1 | 1 | | |
| 12 | 90109-06016 | BOLT | 2 | 2 | | |



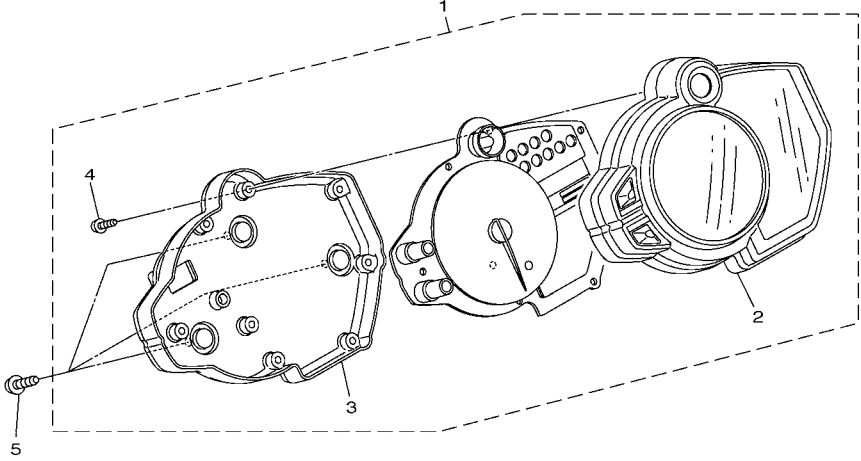
1KB8300-L421

FIG. 42 FLASHER LIGHT

| REF. NO. | PART NO. | DESCRIPTION | 1KBT | 1KBU | | REMARKS |
|----------|--------------|----------------------------|------|------|--|---------|
| 1 | 1KB-83310-00 | FRONT FLASHER LIGHT ASSY 1 | 1 | 1 | | |
| 2 | 1KB-H334A-00 | .LENS COMP 2 | 1 | 1 | | |
| 3 | 3D9-H3333-10 | .SCREW, LENS FITTING | 1 | 1 | | |
| 4 | 3D7-83318-10 | .STAY, FLASHER 1 | 1 | 1 | | |
| 5 | 1KB-83311-00 | .BULB, FLASHER (12V-10W) | 1 | 1 | | |
| 6 | 1KB-83320-00 | FRONT FLASHER LIGHT ASSY 2 | 1 | 1 | | |
| 7 | 1KB-H333A-00 | .LENS COMP 1 | 1 | 1 | | |
| 8 | 3D9-H3333-10 | .SCREW, LENS FITTING | 1 | 1 | | |
| 9 | 3D7-83318-10 | .STAY, FLASHER 1 | 1 | 1 | | |
| 10 | 1KB-83311-00 | .BULB, FLASHER (12V-10W) | 1 | 1 | | |
| 11 | 1KB-83330-00 | REAR FLASHER LIGHT ASSY 1 | 1 | 1 | | |
| 12 | 1KB-8334A-00 | .LENS COMP 2 | 1 | 1 | | |
| 13 | 3D9-H3333-10 | .SCREW, LENS FITTING | 1 | 1 | | |
| 14 | 1KB-83311-00 | .BULB, FLASHER (12V-10W) | 1 | 1 | | |
| 15 | 1KB-83340-00 | REAR FLASHER LIGHT ASSY 2 | 1 | 1 | | |
| 16 | 1KB-8333A-00 | .LENS COMP 1 | 1 | 1 | | |
| 17 | 3D9-H3333-10 | .SCREW, LENS FITTING | 1 | 1 | | |
| 18 | 1KB-83311-00 | .BULB, FLASHER (12V-10W) | 1 | 1 | | |
| 19 | 3D7-83318-10 | STAY, FLASHER 1 | 2 | 2 | | |

FIG. 43 METER

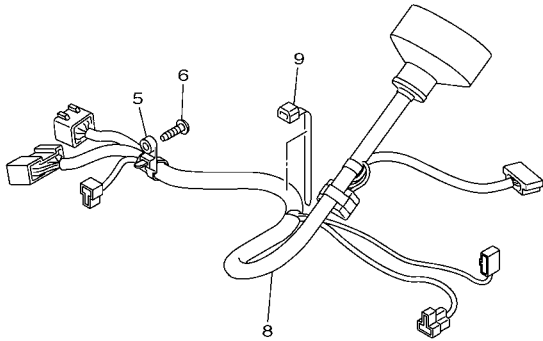
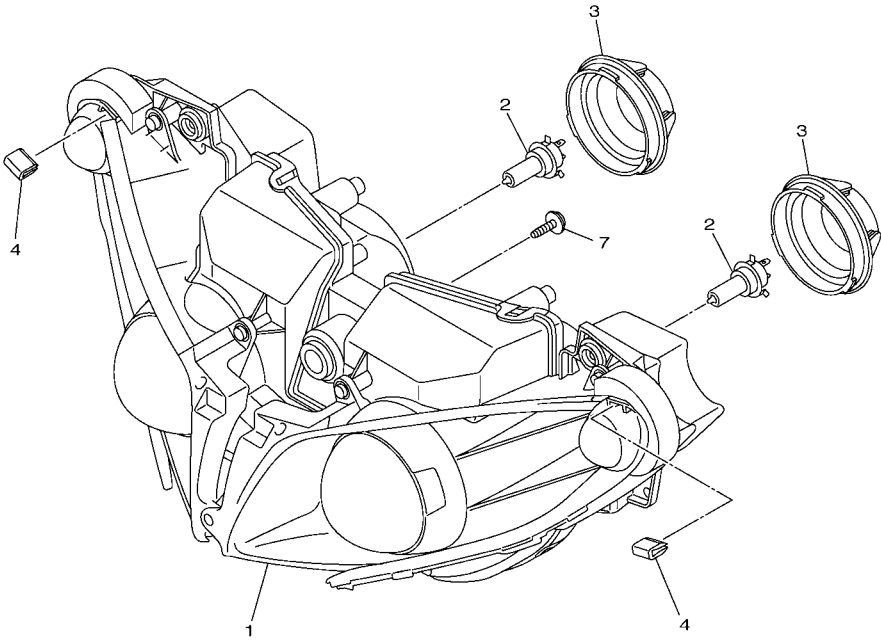
| REF. NO. | PART NO. | DESCRIPTION | 1KBT | 1KBU | | REMARKS |
|----------|--------------|--------------------------|------|------|--|---------|
| 1 | 1KB-83500-00 | METER ASSY (KM/H) | 1 | 1 | | |
| | 1KB-83500-10 | METER ASSY (MPH) | 1 | | | FOR GBR |
| 2 | 14B-8353E-00 | .CASE, METER UPPER | 1 | 1 | | |
| 3 | 14B-83572-00 | .CASE, SPEEDOMETER LOWER | 1 | 1 | | |
| 4 | 5PW-8352S-00 | .SCREW, PANEL FITTING | 8 | 8 | | |
| 5 | 90160-05006 | SCREW, ROUND TAPPING | 3 | 3 | | |
| | | | | | | |
| | | | | | | |
| | | | | | | |
| | | | | | | |
| | | | | | | |
| | | | | | | |
| | | | | | | |
| | | | | | | |



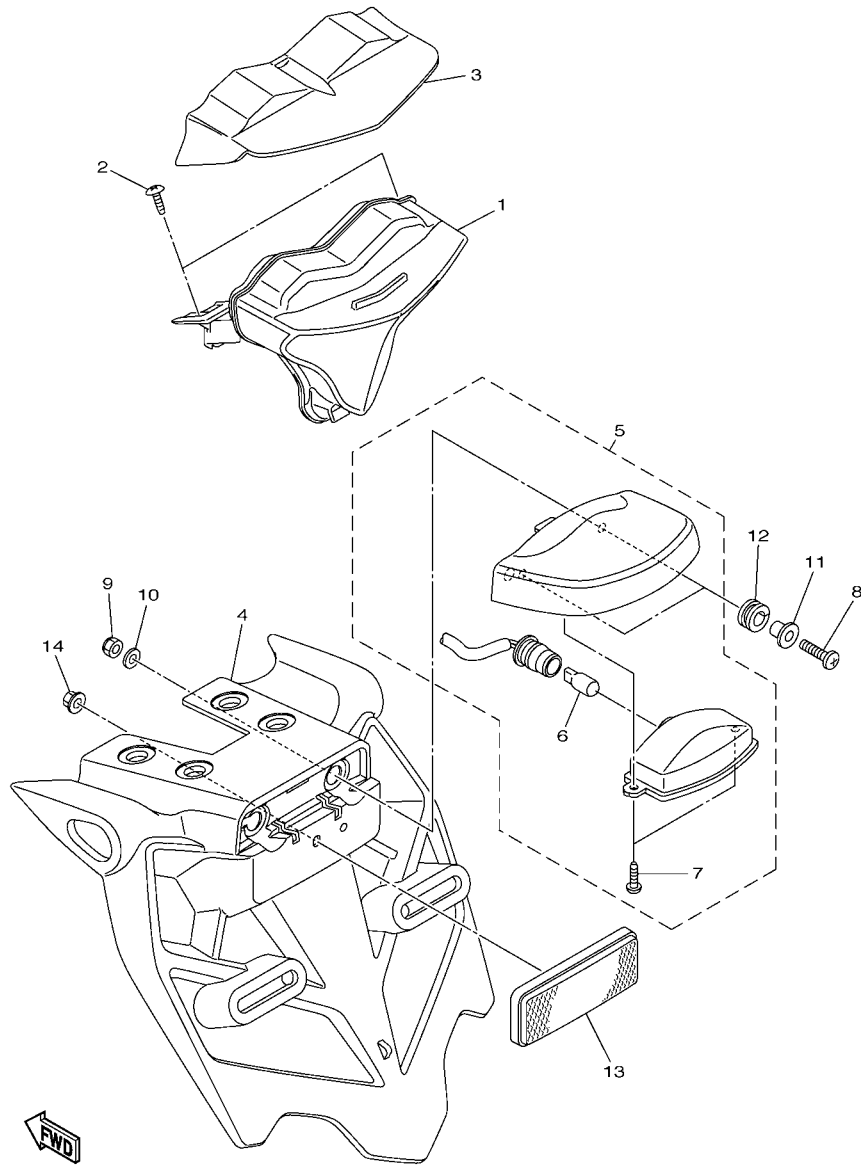
14B1300-H430

FIG. 44 HEADLIGHT

| REF. NO. | PART NO. | DESCRIPTION | 1KBT | 1KBU | REMARKS |
|----------|--------------|----------------------|------|------|---------|
| 1 | 1KB-84300-00 | HEADLIGHT ASSY | 1 | 1 | |
| 2 | 5PS-84314-00 | .BULB (12V-55W H7) | 2 | 2 | HALOGEN |
| 3 | 14B-84396-00 | .COVER | 2 | 2 | |
| 4 | 20S-28376-00 | TRIM | 2 | 2 | |
| 5 | 90464-47002 | CLAMP | 1 | 1 | |
| 6 | 97702-50016 | SCREW, TAPPING | 1 | 1 | |
| 7 | 90160-05007 | SCREW, ROUND TAPPING | 5 | 5 | |
| 8 | 1KB-84359-00 | CORD, HEADLIGHT | 1 | 1 | |
| 9 | 90464-15195 | CLAMP | 1 | 1 | |



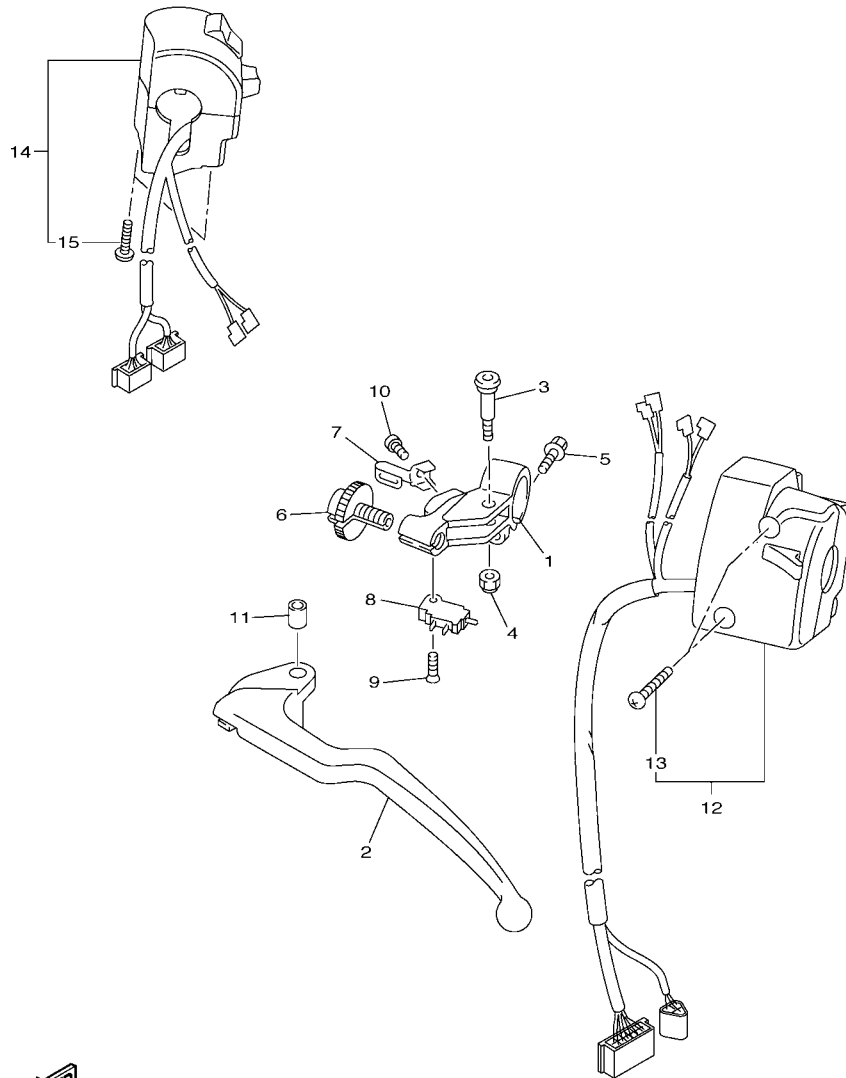
1KB8300-L440



14B1300-H450

FIG. 45 TAILLIGHT

| REF. NO. | PART NO. | DESCRIPTION | TKBT | TKBU | | REMARKS |
|----------|--------------|-------------------------|------|------|--|---------|
| 1 | 14B-84710-00 | TAILLIGHT UNIT ASSY | 1 | 1 | | |
| 2 | 97702-50014 | SCREW, TAPPING | 2 | 2 | | |
| 3 | 14B-84516-00 | COVER, TAILLIGHT | 1 | 1 | | |
| 4 | 14B-21629-01 | GUARD, MUD | 1 | 1 | | |
| 5 | 5VX-84745-01 | LICENCE LIGHT UNIT ASSY | 1 | 1 | | |
| 6 | 4HC-84744-00 | .BULB (12V-5W) | 1 | 1 | | |
| 7 | 97706-04012 | .SCREW, TAPPING | 2 | 2 | | |
| 8 | 98902-05020 | SCREW, BIND | 2 | 2 | | |
| 9 | 95602-05100 | NUT, U | 2 | 2 | | |
| 10 | 92907-05200 | WASHER | 2 | 2 | | |
| 11 | 90387-05003 | COLLAR | 2 | 2 | | |
| 12 | 90480-11009 | GROMMET | 2 | 2 | | |
| 13 | 3Y6-85130-02 | REAR REFLECTOR ASSY | 1 | 1 | | |
| 14 | 95602-05200 | NUT, SELF-LOCKING | 1 | 1 | | |
| | | | | | | |
| | | | | | | |
| | | | | | | |
| | | | | | | |



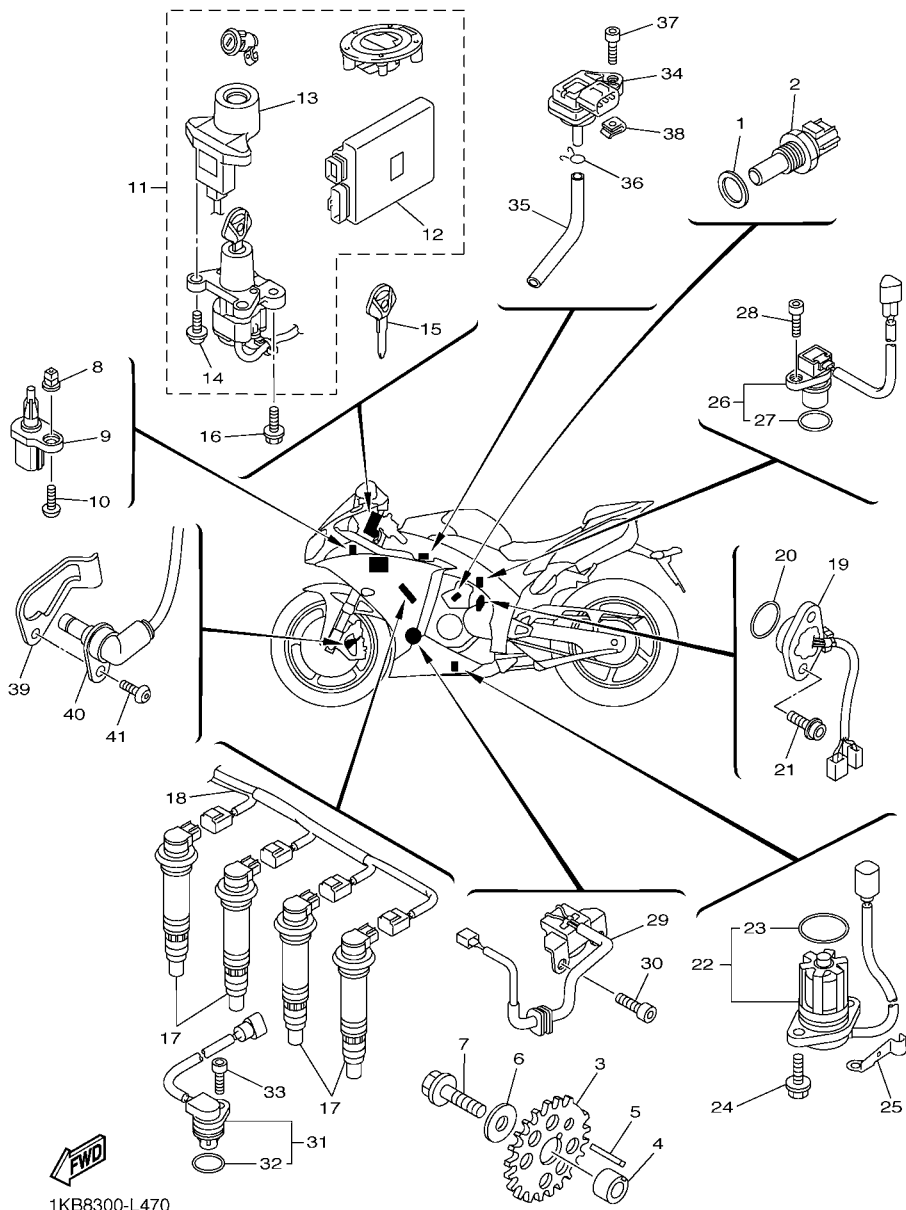
1KB8300-L460

FIG. 46 HANDLE SWITCH & LEVER

| REF. NO. | PART NO. | DESCRIPTION | 1KBT | 1KBU | REMARKS |
|----------|--------------|-----------------------|------|------|---------|
| 1 | 4XV-82911-10 | HOLDER, LEVER 1 | 1 | 1 | |
| 2 | 5EB-83912-03 | LEVER 1 | 1 | 1 | |
| 3 | 2C0-83945-00 | BOLT, LEVER | 1 | 1 | |
| 4 | 95607-06200 | NUT, SELF U-FLANGE | 1 | 1 | |
| 5 | 95027-06020 | BOLT, FLANGE | 1 | 1 | |
| 6 | 5LV-83951-00 | BOLT, CABLE ADJUSTING | 1 | 1 | |
| 7 | 4XV-83929-00 | PLATE, SPRING | 1 | 1 | |
| 8 | 4XV-82917-01 | SWITCH | 1 | 1 | |
| 9 | 98707-03016 | SCREW, FLAT HEAD | 1 | 1 | |
| 10 | 98507-04010 | SCREW, PAN HEAD | 1 | 1 | |
| 11 | 5JJ-83913-00 | COLLAR, LEVER 1 | 1 | 1 | |
| 12 | 1KB-83969-00 | SWITCH, HANDLE 5 | 1 | 1 | |
| 13 | 98507-05025 | .SCREW, PAN HEAD | 2 | 2 | |
| 14 | 14B-83963-00 | SWITCH, HANDLE 3 | 1 | 1 | |
| 15 | 98507-05045 | .SCREW, PAN HEAD | 2 | 2 | |

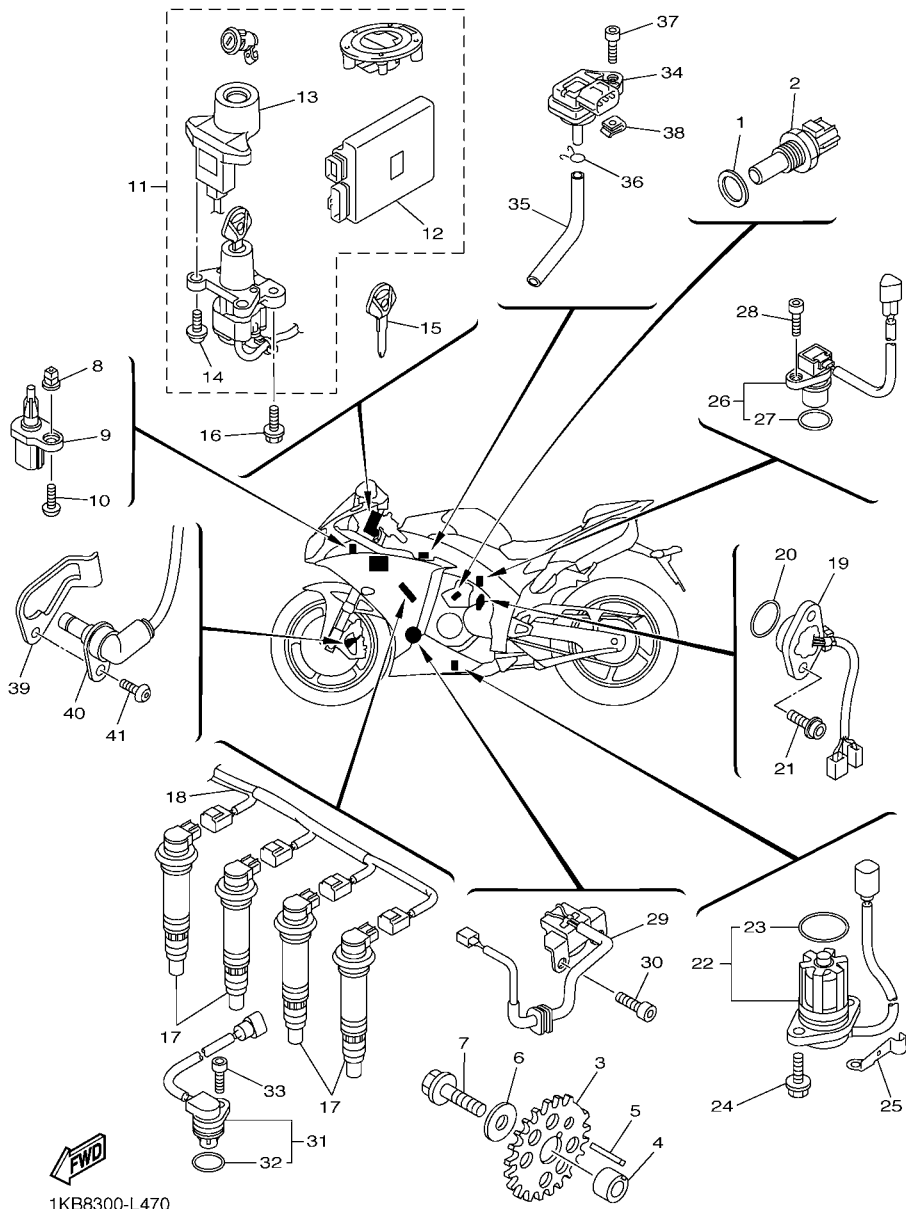
FIG. 47 ELECTRICAL 1

| REF. NO. | PART NO. | DESCRIPTION | TKBT | TKBU | REMARKS |
|----------|--------------|---------------------------|------|------|---------|
| 1 | 90201-12790 | WASHER, PLATE | 1 | 1 | |
| 2 | 8CC-85790-01 | THERMOSENSOR ASSY | 1 | 1 | |
| 3 | 14B-81673-00 | ROTOR | 1 | 1 | |
| 4 | 90387-11006 | COLLAR | 1 | 1 | |
| 5 | 90282-03005 | KEY, STRAIGHT | 1 | 1 | |
| 6 | 90201-10034 | WASHER, PLATE | 1 | 1 | |
| 7 | 90105-10290 | BOLT, FLANGE | 1 | 1 | |
| 8 | 90480-08005 | GROMMET | 1 | 1 | |
| 9 | 8FP-85886-00 | SENSOR, AIR TEMPERATURE | 1 | 1 | |
| 10 | 97702-50016 | SCREW, TAPPING | 1 | 1 | |
| 11 | 14B-W8250-C0 | MAIN SW. IMMOBILIZER KIT | 1 | | |
| | 14B-W8250-D0 | MAIN SW. IMMOBILIZER KIT | | 1 | |
| 12 | 1KB-8591A-00 | .ENGINE CONTROL UNIT ASSY | 1 | | |
| | 1KB-8591A-10 | .ENGINE CONTROL UNIT ASSY | | 1 | |
| 13 | 14B-8255P-20 | .IMMOBILIZER. UNIT COMP. | 1 | 1 | |
| 14 | 5SL-82113-01 | .SCREW | 2 | 2 | |
| 15 | 5SL-82511-08 | BLANK KEY | 1 | 1 | AP |
| 16 | 90109-08195 | BOLT | 2 | 2 | |
| 17 | 1KB-82310-00 | IGNITION COIL ASSY | 4 | 4 | |
| 18 | 14B-82309-00 | WIRE, SUB LEAD | 1 | 1 | |
| 19 | 14B-82540-01 | NEUTRAL SWITCH ASSY | 1 | 1 | |
| 20 | 93210-21001 | O-RING | 1 | 1 | |
| 21 | 90110-05067 | BOLT, HEXAGON SOCKET HEAD | 2 | 2 | |
| 22 | 14B-85720-00 | OIL LEVEL GAUGE ASSY | 1 | 1 | |
| 23 | 5VY-8A8E0-00 | .O-RING | 1 | 1 | |
| 24 | 95022-06016 | BOLT, FLANGE | 2 | 2 | |
| 25 | 90465-08053 | CLAMP | 1 | 1 | |



1KB8300-L470

FIG. 47 ELECTRICAL 1

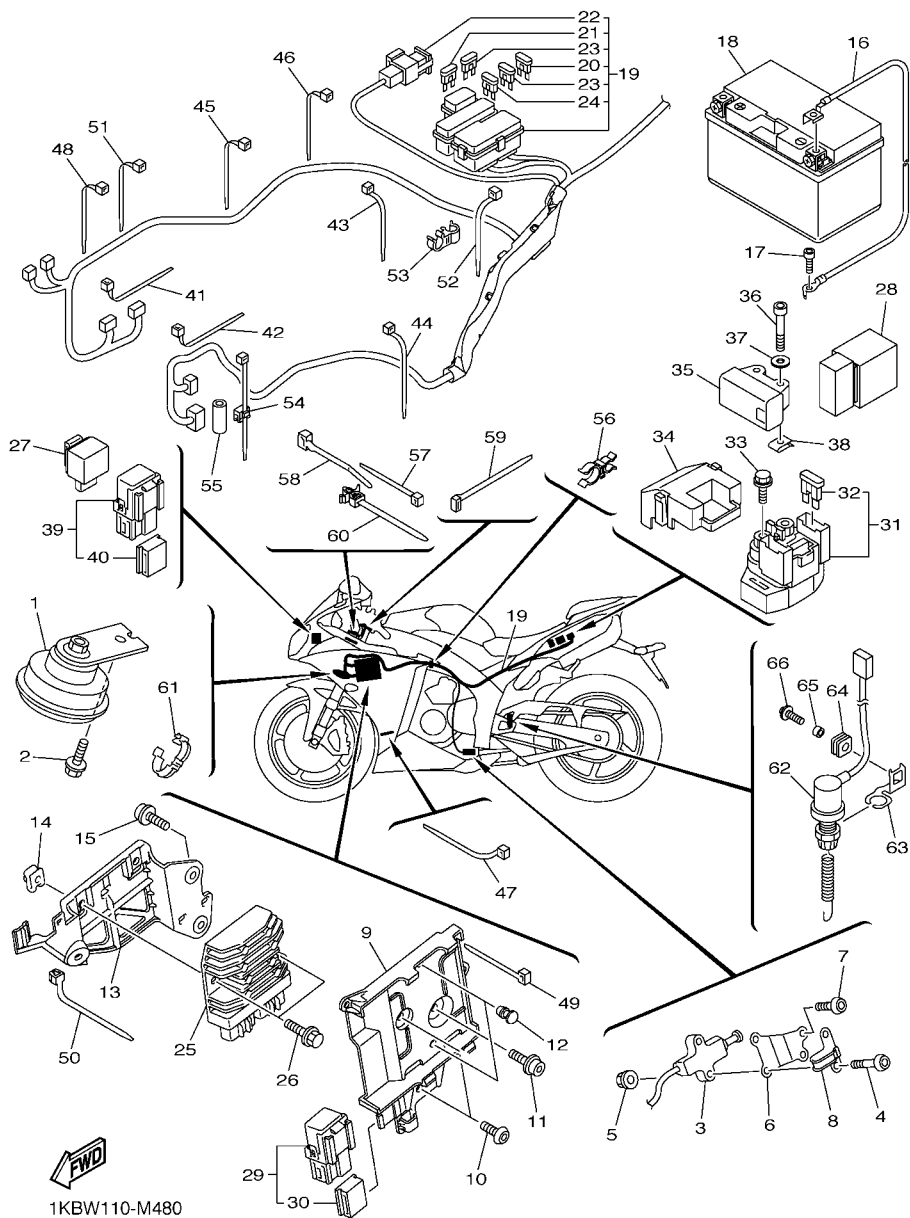


1KB8300-L470

| REF. NO. | PART NO. | DESCRIPTION | 1KBT | 1KBU | REMARKS |
|----------|--------------|---------------------------|------|------|---------|
| 26 | 14B-83755-00 | SENSOR, SPEED | 1 | 1 | |
| 27 | 4D9-81168-00 | .O-RING | 1 | 1 | |
| 28 | 90110-06161 | BOLT, HEXAGON SOCKET HEAD | 1 | 1 | |
| 29 | 14B-81670-00 | PICK-UP ASSY | 1 | 1 | |
| 30 | 90110-06168 | BOLT, HEXAGON SOCKET HEAD | 2 | 2 | |
| 31 | 5VY-85896-01 | SENSOR, CAM POSITION | 1 | 1 | |
| 32 | 4D9-81168-00 | .O-RING | 1 | 1 | |
| 33 | 90110-06175 | BOLT, HEXAGON SOCKET HEAD | 1 | 1 | |
| 34 | 2C0-82380-00 | SENSOR, PRESSURE | 1 | 1 | |
| 35 | 90445-08028 | HOSE | 1 | 1 | |
| 36 | 90467-08021 | CLIP | 1 | 1 | |
| 37 | 91312-05020 | BOLT | 1 | 1 | |
| 38 | 90183-05076 | NUT, SPRING | 1 | 1 | |
| 39 | 1KB-23874-00 | HOLDER, WIRE | 1 | 1 | |
| 40 | 1KB-85970-00 | WHEEL SENSOR ASSY, FRONT | 1 | 1 | |
| 41 | 92014-06014 | BOLT, BUTTON HEAD | 1 | 1 | |
| | | | | | |
| | | | | | |
| | | | | | |
| | | | | | |
| | | | | | |

FIG. 48 ELECTRICAL 2

| REF. NO. | PART NO. | DESCRIPTION | TKBT | TKBU | REMARKS |
|----------|--------------|-----------------------------|------|------|---------|
| 1 | 14B-83371-00 | HORN | 1 | 1 | |
| 2 | 95802-06012 | BOLT, FLANGE | 1 | 1 | |
| 3 | 13S-82566-50 | SWITCH, SIDE STAND | 1 | 1 | |
| 4 | 92012-05025 | BOLT, BUTTON HEAD | 2 | 2 | |
| 5 | 95602-05200 | NUT, SELF-LOCKING | 2 | 2 | |
| 6 | 14B-27961-00 | BRACKET, SENSOR 1 | 1 | 1 | |
| 7 | 92012-05016 | BOLT, BUTTON HEAD | 2 | 2 | |
| 8 | 14B-27911-00 | HOLDER | 1 | 1 | |
| 9 | 14B-2836H-00 | BRACKET 5 | 1 | 1 | |
| 10 | 90111-06119 | BOLT,HEX. SOCKET BUTTON | 2 | 2 | |
| 11 | 90110-06245 | BOLT, HEXAGON SOCKET HEAD | 1 | 1 | |
| 12 | 90338-06018 | PLUG | 2 | 2 | |
| 13 | 14B-2836J-00 | BRACKET 6 | 1 | 1 | |
| 14 | 90183-06069 | NUT, SPRING | 2 | 2 | |
| 15 | 90110-06245 | BOLT, HEXAGON SOCKET HEAD | 2 | 2 | |
| 16 | 14B-82116-00 | WIRE, MINUS LEAD | 1 | 1 | |
| 17 | 91312-06012 | BOLT | 1 | 1 | |
| 18 | 5VY-82100-00 | BATTERY ASSY (YUASA YTZ10S) | 1 | 1 | |
| 19 | 1KB-82590-40 | WIRE HARNESS ASSY | 1 | 1 | |
| 20 | 5JJ-82151-10 | .FUSE (15A-BL) | 2 | 2 | |
| 21 | 5JJ-82151-20 | .FUSE (20A-BL) | 2 | 2 | |
| 22 | 5JW-82151-10 | .FUSE (50A) | 1 | 1 | |
| 23 | 5JJ-82151-00 | .FUSE (7.5A-BL) | 6 | 6 | |
| 24 | 5JJ-82151-30 | .FUSE (10A-BL) | 3 | 3 | |
| 25 | 1D7-81960-01 | RECTIFIER & REGULATOR ASSY | 1 | 1 | |
| 26 | 90105-06148 | BOLT, FLANGE | 2 | 2 | |
| 27 | 4GY-83350-00 | FLASHER RELAY ASSY | 1 | 1 | |



1KBW110-M480

FIG. 48 ELECTRICAL 2

| REF. NO. | PART NO. | DESCRIPTION | TKBT | TKBU | REMARKS |
|----------|--------------|--------------------|------|------|---------|
| 28 | 5VK-81950-40 | RELAY ASSY | 1 | 1 | |
| 29 | 5JJ-81950-20 | RELAY ASSY | 1 | 1 | |
| 30 | 5JJ-81952-00 | .HOLDER, RELAY | 1 | 1 | |
| 31 | 2C0-81940-00 | STARTER RELAY ASSY | 1 | 1 | |
| 32 | 36Y-82151-00 | .FUSE (15A-BL) | 2 | 2 | |
| 33 | 95022-06008 | BOLT, FLANGE | 2 | 2 | |
| 34 | 5SL-82119-10 | COVER, LEAD WIRE | 1 | 1 | |
| 35 | 5VU-82576-01 | SENSOR, LEAN ANGLE | 1 | 1 | |
| 36 | 91312-04025 | BOLT | 2 | 2 | |
| 37 | 90201-047A2 | WASHER, PLATE | 2 | 2 | |
| 38 | 90183-04039 | NUT, SPRING | 2 | 2 | |
| 39 | 5JJ-81950-20 | RELAY ASSY | 1 | 1 | |
| 40 | 5JJ-81952-00 | .HOLDER, RELAY | 1 | 1 | |
| 41 | 90464-13073 | CLAMP | 1 | 1 | |
| 42 | 90464-13073 | CLAMP | 1 | 1 | |
| 43 | 90465-13M11 | CLAMP | 1 | 1 | |
| 44 | 90464-16061 | CLAMP | 1 | 1 | |
| 45 | 90464-16061 | CLAMP | 1 | 1 | |
| 46 | 90464-13077 | CLAMP | 1 | 1 | |
| 47 | 90464-13073 | CLAMP | 1 | 1 | |
| 48 | 90464-13073 | CLAMP | 1 | 1 | |
| 49 | 90465-13M11 | CLAMP | 1 | 1 | |
| 50 | 90464-13073 | CLAMP | 1 | 1 | |
| 51 | 90464-13077 | CLAMP | 1 | 1 | |
| 52 | 90464-13077 | CLAMP | 1 | 1 | |
| 53 | 90464-12009 | CLAMP | 1 | 1 | |
| 54 | 90464-36004 | CLAMP | 1 | 1 | |

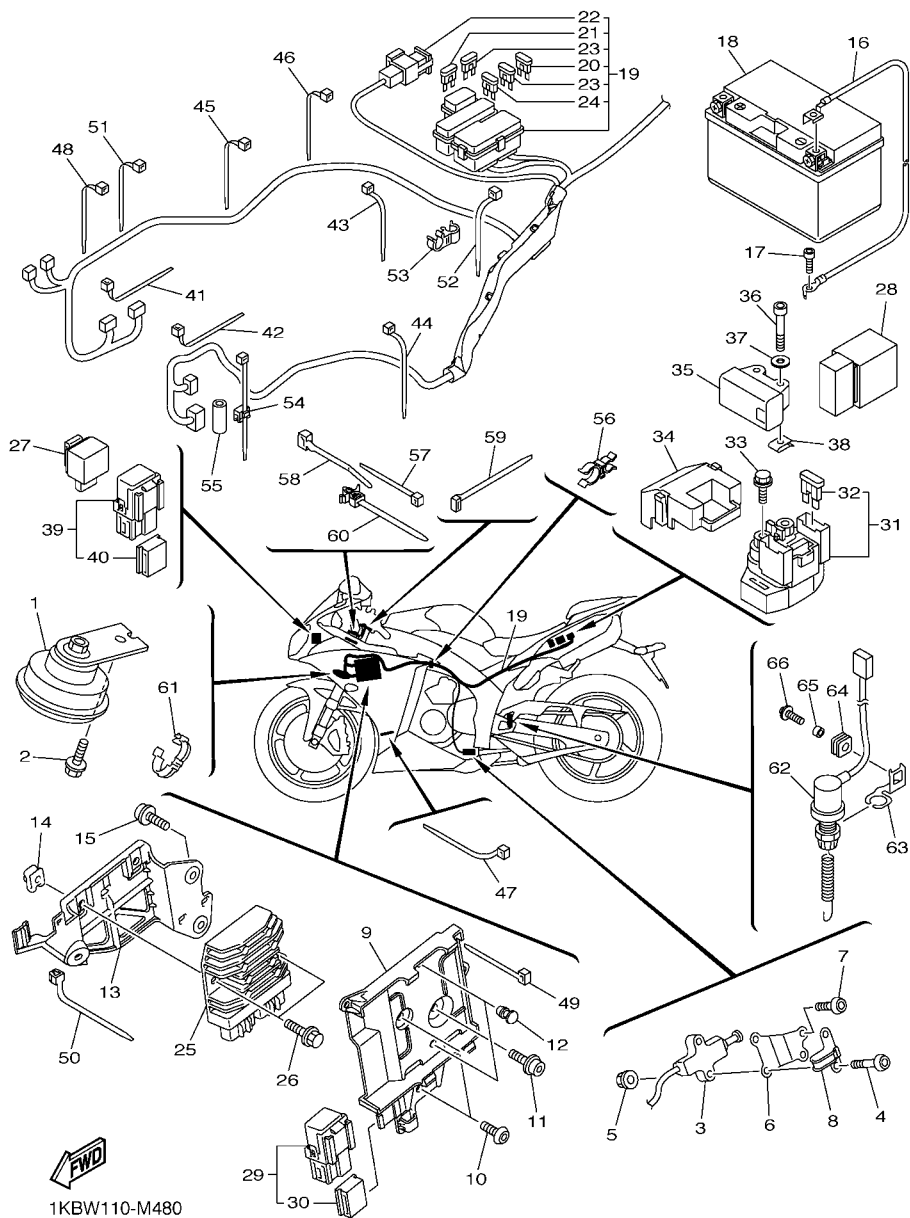
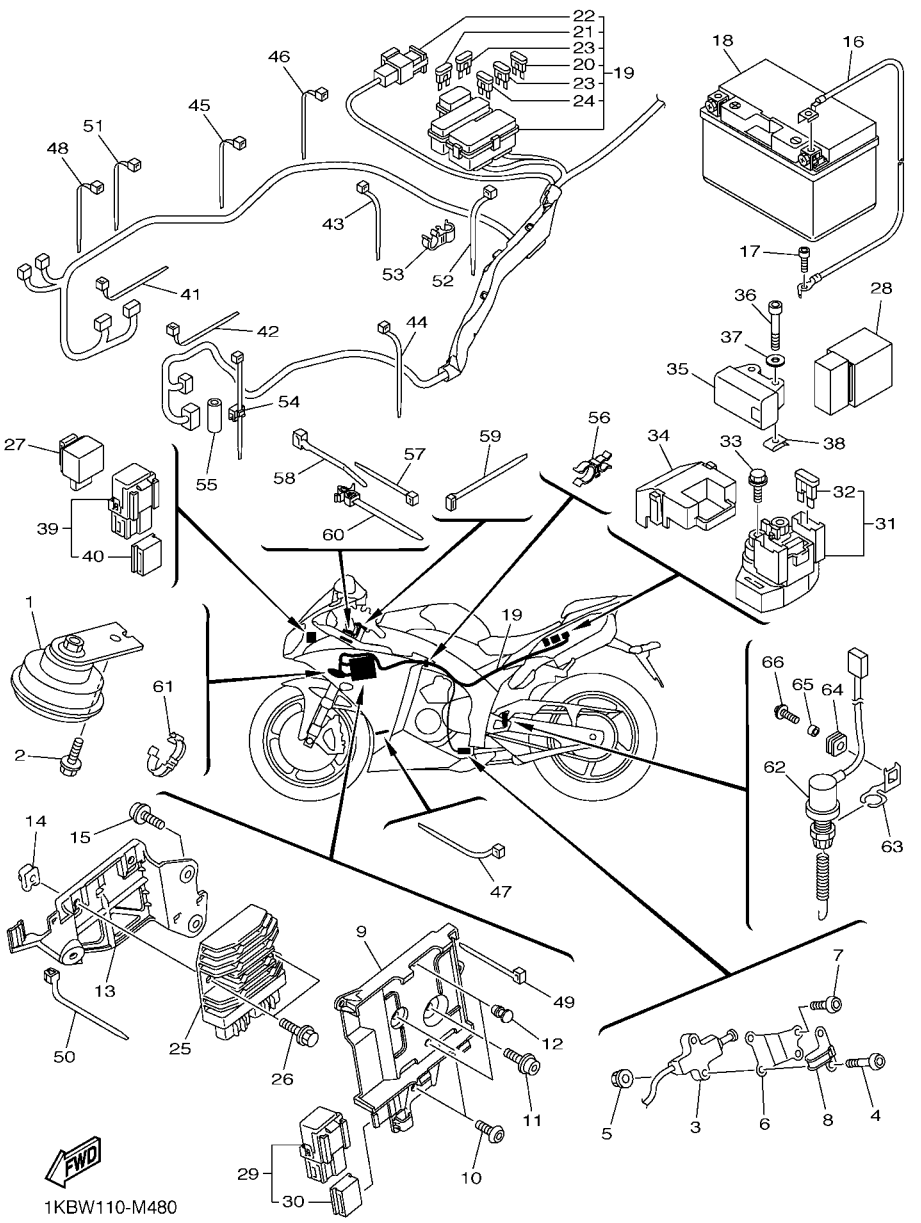


FIG. 48 ELECTRICAL 2

| REF. NO. | PART NO. | DESCRIPTION | 1KBT | 1KBU | REMARKS |
|----------|--------------|--------------------|------|------|---------|
| 55 | 90445-107A5 | HOSE (L30) | 1 | 1 | |
| 56 | 90464-21256 | CLAMP | 1 | 1 | |
| 57 | 90465-10098 | CLAMP | 1 | 1 | |
| 58 | 90465-10098 | CLAMP | 1 | 1 | |
| 59 | 90464-59001 | CLAMP | 1 | 1 | |
| 60 | 90464-12089 | CLAMP | 1 | 1 | |
| 61 | 90464-14003 | CLAMP | 1 | 1 | |
| 62 | 14B-82530-00 | STOP SWITCH ASSY | 1 | 1 | |
| 63 | 14B-2144G-00 | STAY, STOP SWITCH | 1 | 1 | |
| 64 | 90480-12607 | GROMMET | 1 | 1 | |
| 65 | 90387-06M16 | COLLAR | 1 | 1 | |
| 66 | 90159-06150 | SCREW, WITH WASHER | 1 | 1 | |
| | | | | | |
| | | | | | |
| | | | | | |
| | | | | | |
| | | | | | |
| | | | | | |
| | | | | | |
| | | | | | |
| | | | | | |
| | | | | | |
| | | | | | |
| | | | | | |
| | | | | | |



NUMERICAL INDEX

| PART NO. | REF. NO. | PART NO. | REF. NO. | PART NO. | REF. NO. | PART NO. | REF. NO. | PART NO. | REF. NO. | PART NO. | REF. NO. |
|--------------|----------|--------------|----------|--------------|----------|--------------|----------|--------------|----------|--------------|----------|
| 14B-11101-19 | 1 - 1 | 3LD-12168-K1 | 4 - 12 | 4XV-12485-00 | 6 - 19 | 4KM-14137-00 | 11 - 14 | 3D7-14737-00 | 13 - 30 | 4C8-16154-00 | 17 - 2 |
| 5VY-1111G-00 | 1 - 29 | 3LD-12168-M1 | 4 - 12 | 14B-12551-00 | 7 - 27 | 8A7-14139-00 | 11 - 12 | | 13 - 40 | 14B-16181-00 | 17 - 25 |
| 14B-11133-10 | 1 - 2 | 3LD-12168-R1 | 4 - 12 | 14B-12552-00 | 7 - 49 | 39P-14147-00 | 11 - 21 | 14B-14738-00 | 13 - 5 | 5VY-16321-00 | 17 - 7 |
| 4C8-11134-10 | 1 - 3 | 3LD-12168-U1 | 4 - 12 | 14B-12576-00 | 6 - 27 | 5PS-14147-00 | 10 - 24 | 14B-14740-10 | 13 - 4 | 4B1-16324-00 | 17 - 16 |
| 14B-11165-00 | 15 - 24 | 3LD-12168-W1 | 4 - 12 | 14B-12578-00 | 7 - 16 | | 11 - 23 | 5VY-14747-00 | 13 - 50 | 4B1-16325-00 | 17 - 15 |
| 14B-11181-00 | 1 - 20 | 3LD-12168-Y1 | 4 - 12 | 14B-12579-00 | 7 - 12 | 895-14169-00 | 11 - 11 | 14B-1478P-00 | 13 - 75 | | 17 - 16 |
| 14B-11191-00 | 1 - 21 | 3LD-12169-11 | 4 - 12 | 4C8-12579-00 | 7 - 8 | 363-14198-00 | 11 - 8 | 14B-1479P-00 | 13 - 76 | 5VY-16325-00 | 17 - 8 |
| 14B-11193-00 | 1 - 23 | 3LD-12169-31 | 4 - 12 | 14B-12588-00 | 6 - 25 | 2C0-14216-00 | 11 - 7 | 5VY-1482K-00 | 1 - 24 | | 17 - 15 |
| 214-11198-01 | 9 - 8 | 3LD-12169-50 | 4 - 12 | 14B-12589-00 | 7 - 38 | 5FL-14216-00 | 11 - 10 | 2D1-14840-00 | 12 - 1 | | 17 - 16 |
| 14B-11311-00 | 2 - 1 | 3LD-12169-70 | 4 - 12 | 14B-12637-00 | 6 - 33 | 8CC-14216-10 | 11 - 6 | 4C8-14881-01 | 12 - 2 | 14B-16330-00 | 17 - 6 |
| 14B-11351-00 | 2 - 2 | 3LD-12169-90 | 4 - 12 | 5SL-12671-00 | 7 - 26 | 5JW-14348-00 | 11 - 18 | 4C8-14882-01 | 12 - 3 | 14B-16340-00 | 17 - 20 |
| 14B-11400-00 | 3 - 1 | 3LD-12169-E0 | 4 - 12 | 5GJ-12675-00 | 7 - 21 | 5FL-14348-10 | 11 - 15 | 14B-14883-00 | 12 - 5 | 132-16346-00 | 20 - 2 |
| 14B-11413-00 | 3 - 12 | 3LD-12169-G0 | 4 - 12 | 14B-12682-01 | 10 - 37 | 5PW-14349-00 | 11 - 19 | 5SL-14890-10 | 1 - 25 | 14B-16351-00 | 17 - 9 |
| 14B-11413-10 | 3 - 12 | 3LD-12169-J0 | 4 - 12 | 13S-12688-00 | 7 - 25 | 5PW-14396-00 | 11 - 5 | 14B-14899-01 | 1 - 26 | 4XV-16356-01 | 17 - 19 |
| 14B-11413-20 | 3 - 12 | 3LD-12169-L0 | 4 - 12 | 5FL-12822-00 | 9 - 15 | 14B-14402-01 | 10 - 22 | 14B-15100-08 | 14 - 1 | 1KB-16360-00 | 17 - 4 |
| 14B-11413-30 | 3 - 12 | 3LD-12169-N0 | 4 - 12 | 5VY-13117-10 | 8 - 5 | 14B-1440B-00 | 10 - 15 | 14B-15123-00 | 14 - 6 | 1KB-16370-10 | 17 - 5 |
| 14B-11413-40 | 3 - 12 | 3LD-12169-T0 | 4 - 12 | 14B-14411-01 | 9 - 12 | 14B-14411-01 | 10 - 6 | 14B-15124-00 | 14 - 7 | 4C8-16377-00 | 17 - 17 |
| 14B-11413-50 | 3 - 12 | 14B-12170-01 | 5 - 1 | 14B-1316E-00 | 8 - 10 | 14B-14412-01 | 10 - 30 | 14B-15133-00 | 14 - 8 | 5VY-16382-10 | 17 - 29 |
| 14B-11413-A0 | 3 - 12 | 14B-12176-00 | 5 - 3 | 14B-13338-00 | 6 - 3 | 14B-14421-01 | 10 - 18 | 5EB-15155-00 | 14 - 2 | 14B-16384-00 | 17 - 13 |
| 14B-11416-00 | 3 - 6 | 14B-12180-01 | 5 - 2 | 14B-13354-00 | 17 - 26 | 14B-14425-00 | 10 - 9 | 14B-15156-00 | 14 - 14 | 2S3-16539-00 | 17 - 14 |
| 14B-11416-10 | 3 - 6 | 1KB-12210-00 | 5 - 6 | 14B-13355-00 | 6 - 12 | 13S-14445-00 | 10 - 21 | 14B-15163-00 | 18 - 10 | 2D1-17121-10 | 18 - 9 |
| 14B-11416-20 | 3 - 6 | 14B-12213-00 | 5 - 7 | 1KB-13400-00 | 9 - 6 | 14B-14445-00 | 10 - 16 | 36Y-15189-00 | 14 - 25 | 1KB-17131-00 | 18 - 6 |
| 14B-11416-30 | 3 - 6 | 5BE-12241-00 | 1 - 22 | 14B-13410-00 | 8 - 2 | 14B-14451-00 | 10 - 33 | 4H7-15189-00 | 14 - 27 | 4C8-17151-00 | 18 - 3 |
| 14B-11416-40 | 3 - 6 | 1KB-12251-00 | 5 - 9 | 14B-13414-00 | 9 - 10 | 14B-14452-00 | 10 - 19 | 5PW-15361-00 | 14 - 22 | 1KB-17161-00 | 18 - 8 |
| 14B-11500-00 | 3 - 11 | 14B-12252-00 | 5 - 10 | 14B-13416-00 | 8 - 7 | 14B-14457-00 | 10 - 7 | 3F9-15362-10 | 15 - 11 | 5VY-17211-00 | 18 - 31 |
| 14B-11549-00 | 3 - 5 | 1KB-12405-00 | 7 - 19 | 5GH-13440-20 | 9 - 2 | 14B-14462-00 | 10 - 8 | 14B-15377-00 | 15 - 5 | 14B-17221-00 | 18 - 20 |
| 14B-11603-00 | 3 - 8 | 1KB-12405-10 | 7 - 20 | 14B-13470-00 | 9 - 14 | 14B-14467-00 | 10 - 31 | 14B-15379-00 | 15 - 30 | 14B-17231-00 | 18 - 28 |
| 14B-11631-00 | 3 - 7 | 14B-12410-00 | 7 - 4 | 14B-13473-00 | 9 - 17 | 14B-1446R-00 | 10 - 20 | 14B-15393-00 | 10 - 13 | 14B-17241-00 | 18 - 25 |
| 4C8-11633-00 | 3 - 9 | 5LP-12411-00 | 7 - 5 | 5EB-13475-00 | 9 - 16 | 14B-14490-00 | 10 - 11 | 14B-15411-00 | 15 - 1 | 14B-17251-00 | 18 - 29 |
| 14B-11650-00 | 3 - 2 | 14B-12420-00 | 6 - 1 | 14B-13490-00 | 9 - 3 | 14B-14498-00 | 10 - 17 | 14B-15413-00 | 15 - 26 | 14B-17261-00 | 18 - 23 |
| 5VY-11654-01 | 3 - 3 | 14B-12422-00 | 6 - 7 | 8FP-13556-00 | 10 - 25 | 14B-14602-00 | 13 - 1 | 14B-15416-00 | 15 - 17 | 1KB-17402-00 | 18 - 16 |
| 14B-11656-00 | 3 - 4 | 4C8-12438-00 | 6 - 4 | | 11 - 4 | 4FM-14613-00 | 13 - 2 | 14B-15418-00 | 15 - 6 | 14B-17411-00 | 18 - 1 |
| 14B-11656-10 | 3 - 4 | 4XV-12439-00 | 6 - 6 | 14B-13573-00 | 11 - 9 | 14B-14618-00 | 13 - 19 | 14B-15421-00 | 15 - 8 | 3C3-17460-00 | 18 - 34 |
| 14B-11656-20 | 3 - 4 | 14B-1243A-00 | 7 - 41 | 14B-13595-00 | 10 - 2 | 14B-14623-00 | 13 - 17 | 14B-15423-01 | 15 - 29 | 14B-18101-00 | 20 - 9 |
| 14B-11656-30 | 3 - 4 | 14B-1243E-00 | 7 - 43 | 14B-13596-00 | 10 - 4 | 14B-1465R-00 | 13 - 28 | 14B-15431-01 | 15 - 18 | 14B-18110-00 | 20 - 17 |
| 14B-12111-00 | 4 - 1 | 14B-1243F-00 | 7 - 58 | 1KB-13750-00 | 11 - 1 | 14B-1465T-00 | 13 - 38 | 14B-15441-01 | 14 - 23 | 5JJ-18112-20 | 20 - 15 |
| 14B-12113-00 | 4 - 4 | 14B-1244G-00 | 7 - 46 | 5S7-13761-00 | 11 - 22 | 14B-1465U-00 | 13 - 21 | 14B-15451-00 | 15 - 2 | 5EB-18113-00 | 20 - 18 |
| 14B-12114-00 | 4 - 5 | 14B-12450-00 | 6 - 5 | 14B-13761-10 | 10 - 23 | 14B-14710-30 | 13 - 23 | 14B-15456-00 | 15 - 21 | 5LV-18115-10 | 20 - 20 |
| 4C8-12116-00 | 4 - 3 | 14B-12461-00 | 7 - 18 | 14B-13767-01 | 10 - 26 | 5VY-14714-00 | 13 - 24 | 14B-15461-00 | 15 - 13 | 5LV-18116-00 | 20 - 23 |
| 4C8-12117-00 | 4 - 6 | 5SL-12462-00 | 7 - 31 | 14B-13795-00 | 11 - 20 | | 13 - 34 | 14B-15462-00 | 15 - 27 | 1D7-18127-00 | 20 - 4 |
| 1AA-12118-00 | 4 - 8 | 14B-12465-00 | 7 - 24 | 2C0-13881-00 | 10 - 38 | | 13 - 26 | 14B-15484-00 | 40 - 6 | 14B-18140-00 | 20 - 12 |
| 1WG-12118-00 | 4 - 9 | 14B-12469-10 | 6 - 30 | 14B-13898-00 | 8 - 15 | | 13 - 36 | 5VY-15499-00 | 15 - 9 | 4XV-18154-00 | 20 - 19 |
| 4TE-12119-00 | 4 - 11 | 5GV-1246E-00 | 7 - 10 | 14B-13907-00 | 28 - 24 | 1KB-14718-00 | 13 - 52 | 14B-15515-00 | 16 - 1 | | 20 - 24 |
| 14B-12121-00 | 4 - 2 | | 7 - 29 | 14B-1393A-00 | 11 - 2 | 14B-14720-30 | 13 - 33 | 14B-15517-00 | 16 - 3 | 2C0-18175-00 | 20 - 11 |
| 4C8-12127-00 | 4 - 7 | 14B-12481-00 | 6 - 21 | 14B-1393B-00 | 11 - 3 | 14B-14725-00 | 13 - 18 | 14B-15521-00 | 16 - 4 | 14B-18511-00 | 19 - 5 |
| 3P6-12129-00 | 4 - 10 | 14B-12482-00 | 7 - 14 | 14B-13971-00 | 11 - 28 | 1KB-14728-00 | 13 - 58 | 14B-15570-00 | 16 - 7 | 14B-18512-00 | 19 - 6 |
| 4C8-12153-09 | 4 - 13 | 14B-12484-00 | 6 - 35 | 14B-13972-00 | 10 - 34 | 2D1-14737-00 | 13 - 14 | 14B-16150-20 | 17 - 1 | 14B-18513-00 | 19 - 7 |
| 4C8-12153-10 | 4 - 13 | 14B-12485-00 | 7 - 1 | 2C0-14105-00 | 11 - 13 | | 36 - 56 | 363-16154-00 | 17 - 24 | 14B-18531-00 | 19 - 8 |

NUMERICAL INDEX

| PART NO. | REF. NO. | PART NO. | REF. NO. | PART NO. | REF. NO. | PART NO. | REF. NO. | PART NO. | REF. NO. | PART NO. | REF. NO. |
|-----------------|----------|-----------------|----------|--------------|----------|-----------------|----------|-----------------|----------|--------------|----------|
| 2C0-18535-00 | 19 - 9 | 14B-21710-00-P5 | 23 - 1 | 1KB-22877-00 | 21 - 38 | 3FV-23462-00 | 26 - 2 | 14B-24711-00 | 29 - 2 | 14B-2583V-00 | 37 - 6 |
| 14B-18536-00 | 19 - 11 | 14B-2171A-00-P0 | 28 - 35 | 14B-22879-00 | 21 - 40 | 2H9-23469-00 | 34 - 20 | 5SL-24723-00 | 29 - 5 | 2C0-25852-00 | 37 - 13 |
| 14B-18540-00 | 19 - 1 | 14B-2171A-00-P2 | 28 - 35 | 1KB-23102-00 | 27 - 1 | 14B-23490-10 | 26 - 20 | 13S-24725-00 | 29 - 10 | 5VY-25852-00 | 35 - 18 |
| 3D7-18542-00 | 19 - 2 | 14B-2172W-00 | 7 - 61 | 1KB-23102-10 | 27 - 1 | 14B-23495-00 | 26 - 18 | 14B-24725-00 | 29 - 9 | 2VN-25854-00 | 37 - 14 |
| 14B-18562-00 | 19 - 12 | 14B-21732-00 | 22 - 22 | 14B-23103-00 | 27 - 21 | 14B-23808-00 | 26 - 29 | 14B-24750-00 | 29 - 4 | 5VY-25854-00 | 35 - 16 |
| 14B-2110N-20 | 21 - 48 | 3NU-21732-00 | 39 - 50 | 1KB-23103-10 | 27 - 21 | 1KB-23874-00 | 47 - 39 | 1KB-24780-00 | 29 - 6 | 2VN-25855-00 | 37 - 15 |
| 14B-21110-00 | 21 - 1 | 5PW-21732-00 | 22 - 21 | 14B-23106-00 | 27 - 3 | 14B-24106-10 | 28 - 57 | 14B-2478E-00 | 29 - 13 | 5VY-25855-00 | 35 - 17 |
| 2S3-2111D-00 | 38 - 53 | 5VY-21732-00 | 22 - 20 | | 27 - 23 | 14B-24108-10 | 28 - 65 | 2C0-24792-00 | 29 - 7 | 2VN-25866-00 | 37 - 9 |
| | 38 - 56 | 4C8-21735-00 | 22 - 19 | 14B-23106-10 | 27 - 3 | 14B-24110-00-P4 | 28 - 1 | 13S-24847-00 | 29 - 12 | 5VS-25867-00 | 35 - 26 |
| 14B-2112B-00 | 21 - 49 | | 38 - 4 | | 27 - 23 | 5PW-2411J-01 | 28 - 50 | 4XV-25117-00 | 30 - 2 | 1KB-25872-00 | 35 - 23 |
| 4C8-2112D-00 | 38 - 52 | 13S-2173M-00 | 21 - 36 | 14B-23109-00 | 27 - 10 | | 28 - 51 | 1KB-25168-00-1X | 30 - 1 | 1KB-25874-00 | 37 - 28 |
| | 38 - 55 | 13S-21746-00 | 21 - 33 | | 27 - 30 | 14B-24121-00 | 21 - 13 | 1KB-25168-00-8L | 30 - 1 | 1KB-25875-00 | 35 - 1 |
| 14B-21131-00 | 21 - 16 | 4C8-21747-00 | 23 - 3 | 1KB-23110-01 | 27 - 2 | 14B-24122-00 | 21 - 14 | 1KB-25168-00-P0 | 30 - 1 | 14B-25876-00 | 35 - 2 |
| 14B-2113C-00 | 21 - 50 | 5VU-21747-00 | 28 - 52 | 14B-23111-00 | 27 - 12 | 14B-24135-00 | 28 - 26 | 1KB-2517G-00 | 31 - 4 | 1KB-2588F-00 | 37 - 29 |
| 14B-2113D-00 | 21 - 51 | 4GY-2174X-00 | 22 - 17 | 4TX-23115-00 | 27 - 7 | 5SL-2413B-00 | 28 - 2 | 2C0-25181-00 | 30 - 8 | 14B-25894-00 | 37 - 12 |
| 14B-21161-00 | 28 - 9 | 2TK-21757-00 | 39 - 4 | | 27 - 27 | 14B-2413Y-10 | 28 - 17 | 5PW-25188-00 | 30 - 9 | 5SL-25894-20 | 35 - 15 |
| 14B-21162-00 | 28 - 14 | | 39 - 10 | 14B-23118-00 | 27 - 19 | 14B-2414G-00 | 28 - 54 | 5PW-25317-00 | 32 - 6 | 14B-25895-00 | 37 - 19 |
| 5VY-2117K-01 | 29 - 15 | | 39 - 24 | | 27 - 39 | 14B-2414H-00 | 28 - 41 | 5VY-25338-00-4X | 32 - 1 | 5VY-25895-10 | 35 - 19 |
| 14B-2118N-30 | 21 - 22 | | 39 - 30 | 14B-2311J-00 | 27 - 32 | 2C0-2414H-00 | 28 - 58 | 5VY-25338-00-8L | 32 - 1 | 3FV-2589A-00 | 37 - 11 |
| 14B-21190-00 | 21 - 15 | 5VY-2176V-00 | 29 - 16 | 1KB-23120-01 | 27 - 22 | | 28 - 66 | 5VY-25338-00-P4 | 32 - 1 | 5VY-2589F-01 | 35 - 8 |
| 1KB-211C5-00 | 21 - 20 | 3XV-21778-00 | 28 - 43 | 14B-23141-00 | 27 - 17 | 3C5-2414H-00 | 21 - 42 | 2C0-25364-00 | 32 - 8 | 5VY-2589G-00 | 35 - 21 |
| 14B-21414-00 | 21 - 4 | 5PW-2177L-00 | 38 - 9 | | 27 - 37 | 14B-2414J-00 | 28 - 59 | 5JL-25366-00 | 32 - 12 | 5VY-2589H-00 | 35 - 22 |
| 14B-2141R-00 | 21 - 6 | | 38 - 28 | 13S-23142-00 | 27 - 18 | | 28 - 67 | 4C8-25381-00 | 32 - 22 | 5SL-25914-00 | 33 - 9 |
| 14B-21424-00 | 21 - 5 | | 38 - 43 | | 27 - 38 | 2C0-2414J-00 | 28 - 60 | 4XV-25383-00 | 32 - 7 | 5DH-25916-00 | 33 - 14 |
| 14B-21445-00 | 13 - 9 | | 39 - 21 | 4TX-23144-01 | 27 - 4 | | 28 - 68 | 5VY-25388-00 | 32 - 20 | 3JD-25917-00 | 33 - 11 |
| 14B-21446-00 | 13 - 49 | | 39 - 27 | | 27 - 24 | 14B-2414K-10 | 28 - 53 | 5VY-25389-01 | 32 - 21 | 5SL-25917-00 | 33 - 6 |
| 14B-2144G-00 | 48 - 63 | | 39 - 37 | 5VX-23145-00 | 27 - 6 | 14B-2414N-20 | 28 - 48 | 5MT-25398-00 | 30 - 7 | 4C8-25919-00 | 31 - 10 |
| 14B-21495-00 | 21 - 9 | 1KB-21788-20 | 23 - 5 | | 27 - 26 | 14B-2414P-20 | 28 - 49 | | 32 - 11 | | 31 - 20 |
| | 21 - 12 | 1KB-21789-20 | 23 - 6 | 4TX-23156-00 | 27 - 5 | 1KB-24161-00 | 28 - 36 | 5MT-25398-10 | 30 - 7 | 5SL-25919-00 | 33 - 8 |
| 14B-21511-00-P1 | 22 - 1 | 26H-21828-00 | 7 - 54 | | 27 - 25 | 14B-24181-00 | 28 - 44 | | 32 - 11 | 2S3-25919-10 | 31 - 11 |
| 14B-21511-00-P5 | 22 - 1 | 14B-21871-00 | 7 - 52 | 1KB-2315K-00 | 27 - 8 | 4FM-24181-00 | 13 - 32 | 5MT-25398-20 | 30 - 7 | | 31 - 21 |
| 14B-21511-00-P7 | 22 - 1 | 14B-21875-00 | 7 - 53 | 1KB-2315L-00 | 27 - 28 | 5VY-24181-00 | 28 - 7 | | 32 - 11 | 5VY-25921-01 | 33 - 10 |
| 13S-21567-00 | 21 - 39 | 14B-22110-00-P0 | 24 - 1 | 14B-2318Y-00 | 27 - 11 | | 28 - 12 | 14B-25447-20 | 32 - 15 | 4SV-25924-00 | 31 - 9 |
| 4C8-21568-01 | 28 - 56 | 5VY-22128-00 | 24 - 6 | | 27 - 31 | 4C8-24182-00 | 28 - 42 | 4C8-2580T-10 | 31 - 5 | | 31 - 19 |
| 14B-21600-00-P5 | 22 - 15 | 14B-22141-00 | 24 - 41 | 14B-2319M-00 | 27 - 9 | 5SL-24183-00 | 28 - 18 | 4C8-2580U-10 | 31 - 15 | 8CR-25924-00 | 33 - 13 |
| 14B-21615-00 | 21 - 32 | 2S2-2214F-70 | 21 - 44 | | 27 - 29 | 5VY-24183-00 | 28 - 5 | 5VY-2580W-12 | 33 - 3 | 3GM-25925-00 | 31 - 12 |
| 14B-21629-01 | 45 - 4 | 14B-22151-00 | 24 - 13 | 45B-2331E-00 | 26 - 24 | 4BP-24188-00 | 28 - 4 | 1KB-2581T-00 | 31 - 1 | | 31 - 22 |
| 14B-21639-00 | 22 - 23 | 1KB-2217A-00 | 24 - 23 | 13S-2332N-00 | 27 - 15 | 14B-24191-10 | 28 - 6 | 1KB-2581U-00 | 31 - 2 | 5SL-25926-00 | 33 - 15 |
| 14B-2163A-00 | 21 - 26 | 1KB-2217M-00 | 24 - 26 | | 27 - 35 | 14B-24192-10 | 28 - 11 | 3YK-25824-00 | 35 - 5 | 5VY-25975-00 | 35 - 7 |
| 14B-2163E-00 | 13 - 64 | 14B-22184-00 | 24 - 5 | 14B-23340-10 | 27 - 41 | 5JW-24311-00 | 11 - 16 | 3YK-25825-00 | 35 - 6 | 14B-26121-00 | 34 - 1 |
| 14B-2163F-00 | 13 - 69 | 1KB-22210-00 | 25 - 1 | 14B-23377-20 | 26 - 28 | 14B-24312-00 | 28 - 30 | 5SL-25827-00 | 33 - 17 | 14B-26122-00 | 34 - 8 |
| 14B-21640-10 | 21 - 24 | 14B-22219-00 | 25 - 10 | 13S-23393-00 | 27 - 14 | 14B-24313-00 | 28 - 32 | 5SL-25827-10 | 33 - 18 | 4C8-26240-00 | 34 - 13 |
| 14B-21649-00 | 22 - 24 | 4C8-22252-00 | 24 - 44 | | 27 - 34 | 14B-24314-00 | 28 - 33 | 5SL-25828-01 | 33 - 19 | 2C0-26241-00 | 34 - 6 |
| 14B-21650-00 | 24 - 46 | 14B-22253-00 | 25 - 6 | 4XV-23415-01 | 26 - 4 | 68V-24376-00 | 11 - 17 | 4ML-2582A-50 | 37 - 8 | 5PW-26246-10 | 34 - 3 |
| 14B-21668-00 | 24 - 51 | 14B-22311-00 | 24 - 19 | 4XV-23418-00 | 26 - 6 | 19B-24486-01 | 28 - 28 | 5SL-2582W-00 | 33 - 1 | | 34 - 10 |
| 14B-21669-00 | 22 - 16 | 14B-22873-00 | 21 - 34 | 4XV-23434-00 | 34 - 5 | 13S-24491-00 | 28 - 25 | 5SL-25838-00 | 33 - 7 | 14B-26280-00 | 38 - 61 |
| 14B-21682-00 | 21 - 25 | 14B-22874-00 | 21 - 35 | | 34 - 12 | 39P-24602-10 | 28 - 21 | 5VY-2583B-00 | 31 - 14 | 3LN-26281-01 | 34 - 17 |
| 14B-21710-00-P1 | 23 - 1 | 1KB-22876-00 | 21 - 37 | 1KB-23435-00 | 26 - 10 | 14B-24710-00 | 29 - 1 | | 31 - 24 | 3LN-26282-01 | 34 - 18 |

NUMERICAL INDEX

| PART NO. | REF. NO. | PART NO. | REF. NO. | PART NO. | REF. NO. | PART NO. | REF. NO. | PART NO. | REF. NO. | PART NO. | REF. NO. |
|--------------|----------|-----------------|----------|-----------------|----------|--------------|----------|--------------|----------|-----------------|----------|
| 14B-2628N-00 | 38 - 64 | 14B-28237-00 | 21 - 45 | 1KB-28391-90 | 39 - 7 | 14B-8212B-00 | 22 - 7 | 5EB-83912-03 | 46 - 2 | 4C8-W0057-00 | 31 - 16 |
| 14B-2628R-00 | 38 - 65 | 1KB-2830P-00 | 38 - 5 | 14B-28391-A0 | 39 - 6 | 14B-8212C-00 | 22 - 14 | 5JJ-83913-00 | 46 - 11 | 5VY-W0057-00 | 33 - 4 |
| 14B-26290-00 | 38 - 62 | 1KB-2831U-00 | 38 - 10 | 1KB-28392-90 | 39 - 13 | 5JJ-82131-00 | 22 - 11 | 14B-83922-00 | 35 - 10 | 5VY-W2470-00 | 29 - 14 |
| 1KB-26292-00 | 26 - 14 | 14B-28321-00 | 39 - 47 | 14B-28392-A0 | 39 - 12 | 36Y-82151-00 | 48 - 32 | 4XV-83929-00 | 46 - 7 | 14B-W2587-00 | 35 - 3 |
| 4C8-26298-00 | 38 - 63 | 14B-28322-00 | 14 - 10 | 14B-2839B-00 | 39 - 5 | 5JJ-82151-00 | 48 - 23 | 2C0-83945-00 | 46 - 3 | 14B-W2838-U0-P0 | 39 - 19 |
| 14B-26302-01 | 34 - 14 | 1KB-28328-00 | 38 - 8 | | 39 - 11 | 5JJ-82151-10 | 48 - 20 | 5LV-83951-00 | 46 - 6 | 14B-W2838-V0-P0 | 39 - 19 |
| 2C0-26326-00 | 37 - 17 | 1KB-28328-10 | 38 - 8 | 1KB-2839B-00 | 39 - 5 | 5JW-82151-10 | 48 - 22 | 14B-83963-00 | 46 - 14 | 14B-W2838-W0-P1 | 39 - 19 |
| 1KB-26335-00 | 34 - 7 | 1KB-28328-30 | 38 - 8 | | 39 - 11 | 5JJ-82151-20 | 48 - 21 | 1KB-83969-00 | 46 - 12 | 14B-W2839-U0-P0 | 39 - 25 |
| 5VY-26398-00 | 26 - 27 | 1KB-2832U-00 | 38 - 11 | 1KB-2839B-10 | 39 - 5 | 5JJ-82151-30 | 48 - 24 | 4HM-83980-00 | 35 - 11 | 14B-W2839-V0-P0 | 39 - 25 |
| 14B-27211-00 | 37 - 1 | 1KB-2834C-00 | 39 - 60 | | 39 - 11 | 14B-82176-20 | 22 - 9 | 1KB-84300-00 | 44 - 1 | 14B-W2839-W0-P1 | 39 - 25 |
| 4XV-27222-01 | 37 - 21 | 14B-28356-10 | 38 - 15 | 14B-2839K-00-P5 | 38 - 23 | 14B-82309-00 | 47 - 18 | 5PS-84314-00 | 44 - 2 | 1KB-W2839-00-P0 | 38 - 7 |
| 14B-27311-00 | 36 - 1 | 1KB-2835C-00 | 39 - 61 | 14B-2839L-00-P5 | 38 - 38 | 1KB-82310-00 | 47 - 17 | 1KB-84359-00 | 44 - 8 | 1KB-W283G-10-P1 | 38 - 7 |
| 14B-27321-00 | 36 - 2 | 14B-2836A-00 | 39 - 33 | 14B-283C1-00 | 39 - 44 | 14B-82318-00 | 10 - 27 | 14B-84396-00 | 44 - 3 | 1KB-W283G-40-P2 | 38 - 7 |
| 14B-27351-00 | 36 - 3 | 4KN-2836B-00 | 23 - 4 | 14B-283C2-00 | 39 - 55 | 2C0-82380-00 | 11 - 26 | 14B-84516-00 | 45 - 3 | 14B-W283U-1A-P2 | 39 - 2 |
| 14B-27352-00 | 36 - 4 | 5GT-2836B-00 | 26 - 12 | 14B-28425-00 | 21 - 41 | | 47 - 34 | 14B-84710-00 | 45 - 1 | 14B-W283U-D0-P0 | 39 - 2 |
| 13S-27417-00 | 36 - 49 | 4KN-2836B-10 | 38 - 6 | 14B-28428-10 | 38 - 2 | 1KB-82386-00 | 11 - 27 | 4HC-84744-00 | 45 - 6 | 14B-W283V-1A-P2 | 39 - 8 |
| 14B-2741L-10 | 36 - 33 | 14B-2836E-00 | 39 - 35 | 14B-28429-10 | 38 - 3 | 5SL-82511-08 | 47 - 15 | 1KB-83969-00 | 45 - 5 | 14B-W283V-D0-P0 | 39 - 8 |
| 14B-27424-00 | 13 - 45 | 14B-2836F-00 | 21 - 55 | 14B-28435-00 | 21 - 47 | 14B-82530-00 | 48 - 62 | 3Y6-85130-02 | 45 - 13 | 14B-W8250-C0 | 47 - 11 |
| 4XV-27424-00 | 13 - 10 | 14B-2836G-00 | 21 - 60 | 14B-2845D-00 | 38 - 72 | 14B-82540-01 | 47 - 19 | 14B-85720-00 | 47 - 22 | 14B-W8250-D0 | 47 - 11 |
| 14B-2742L-10 | 36 - 41 | 14B-2836H-00 | 48 - 9 | 14B-2846C-00 | 38 - 70 | 14B-8255P-20 | 47 - 13 | 8CC-85790-01 | 47 - 2 | 1KB-Y212E-00 | 21 - 18 |
| 5JJ-27431-10 | 36 - 32 | 14B-2836J-00 | 48 - 13 | 14B-2846D-00 | 38 - 71 | 13S-82566-50 | 48 - 3 | 14B-85870-00 | 10 - 10 | 14B-Y2171-40-P5 | 23 - 1 |
| 4C8-27434-00 | 20 - 25 | 14B-2836K-00 | 39 - 16 | 4B5-2847F-00 | 39 - 56 | 5VU-82576-01 | 48 - 35 | 13S-85884-00 | 11 - 24 | 14B-Y283U-V0-P1 | 39 - 2 |
| | 37 - 2 | 14B-2836L-00 | 39 - 17 | J44-78248-00 | 38 - 29 | 1KB-82590-40 | 48 - 19 | 13S-85885-00 | 11 - 25 | 14B-Y283V-V0-P1 | 39 - 8 |
| 5JJ-27437-01 | 36 - 36 | 14B-2836M-10-P0 | 39 - 38 | | 38 - 44 | 4XV-82911-10 | 46 - 1 | 8FP-85886-00 | 47 - 9 | 14B-YK241-00-P1 | 28 - 1 |
| | 36 - 44 | 14B-2836M-10-P8 | 39 - 38 | 4D9-81168-00 | 47 - 27 | 4XV-82917-01 | 46 - 8 | 5VY-85896-01 | 47 - 31 | 90101-08013 | 24 - 2 |
| 5JJ-27441-10 | 36 - 40 | 14B-2836N-10-P0 | 39 - 49 | | 47 - 32 | 1KB-83310-00 | 42 - 1 | 1KB-8591A-00 | 47 - 12 | 90105-06027 | 1 - 10 |
| 14B-27442-10 | 36 - 13 | 14B-2836N-10-P8 | 39 - 49 | 14B-81410-00 | 40 - 2 | 1KB-83311-00 | 42 - 5 | 1KB-8591A-10 | 47 - 12 | 90105-06041 | 35 - 28 |
| 14B-27443-10 | 36 - 22 | 14B-2836T-00 | 39 - 39 | 14B-81450-00 | 40 - 1 | | 42 - 10 | 14B-8592A-00 | 13 - 8 | 90105-06066 | 6 - 13 |
| 14B-27445-10 | 36 - 19 | 14B-28371-10 | 39 - 28 | 14B-81670-00 | 47 - 29 | | 42 - 14 | 1KB-85970-00 | 47 - 40 | 90105-06148 | 48 - 26 |
| 14B-27446-10 | 36 - 29 | 3CV-28372-00 | 22 - 18 | 14B-81673-00 | 47 - 3 | | 42 - 18 | 5VY-8A8E0-00 | 47 - 23 | 90105-06165 | 14 - 18 |
| 1KB-27451-00 | 36 - 14 | 20S-28376-00 | 44 - 4 | 4C8-81801-01 | 41 - 2 | 3D7-83318-10 | 42 - 4 | 3D9-H3333-10 | 42 - 3 | 90105-06174 | 39 - 36 |
| 1KB-27461-00 | 36 - 23 | 14B-2837L-00-P5 | 38 - 51 | 8FA-8181L-00 | 41 - 5 | | 42 - 9 | | 42 - 8 | 90105-06181 | 14 - 11 |
| 14B-27469-00 | 36 - 50 | 14B-2837M-00-P5 | 38 - 54 | 14B-8183G-10 | 41 - 10 | | 42 - 19 | | 42 - 13 | 90105-06557 | 26 - 31 |
| 14B-27490-00 | 36 - 52 | 14B-28380-30 | 38 - 1 | 4C8-81846-00 | 41 - 4 | 1KB-83320-00 | 42 - 6 | | 42 - 17 | 90105-07006 | 5 - 4 |
| 1KB-27498-00 | 13 - 55 | 14B-28386-00 | 39 - 3 | 4C8-81861-00 | 41 - 8 | 1KB-83330-00 | 42 - 11 | 1KB-H333A-00 | 42 - 7 | 90105-08052 | 38 - 17 |
| 1KB-27499-00 | 13 - 56 | | 39 - 9 | 14B-81890-00 | 41 - 1 | 1KB-8333A-00 | 42 - 16 | 1KB-H334A-00 | 42 - 2 | 90105-08108 | 26 - 25 |
| 14B-2749A-00 | 36 - 53 | | 39 - 14 | 2C0-81940-00 | 48 - 31 | 1KB-83340-00 | 42 - 15 | 2S3-W0041-00 | 35 - 4 | 90105-10017 | 24 - 29 |
| 1KB-2749A-00 | 13 - 57 | | 39 - 23 | 5JJ-81950-20 | 48 - 29 | 1KB-8334A-00 | 42 - 12 | 14B-W0042-00 | 37 - 7 | | 24 - 35 |
| 14B-2749B-00 | 36 - 54 | | 39 - 29 | | 48 - 39 | 4GY-83350-00 | 48 - 27 | 4C8-W0045-00 | 31 - 8 | 90105-10018 | 24 - 33 |
| 1KB-2749B-00 | 13 - 61 | | 39 - 31 | 5VK-81950-40 | 48 - 28 | 1KB-83362-00 | 26 - 17 | | 31 - 18 | 90105-10020 | 25 - 8 |
| 1KB-2749C-00 | 13 - 62 | 14B-2838J-00 | 38 - 49 | 5JJ-81952-00 | 48 - 30 | 14B-83371-00 | 48 - 1 | 5VX-W0046-00 | 33 - 12 | 90105-10150 | 24 - 39 |
| 14B-2749D-00 | 36 - 55 | 14B-2838N-00-P5 | 38 - 19 | | 48 - 40 | 1KB-83500-00 | 43 - 1 | 4C8-W0047-00 | 31 - 7 | 90105-10290 | 47 - 7 |
| 1KB-2749D-00 | 13 - 63 | 14B-2838P-00 | 38 - 50 | 1D7-81960-01 | 48 - 25 | 1KB-83500-10 | 43 - 1 | | 31 - 17 | 90105-10397 | 31 - 25 |
| 4C8-27813-00 | 36 - 28 | 14B-2838R-00-P5 | 38 - 34 | 5VY-82100-00 | 48 - 18 | 4XV-83513-00 | 38 - 16 | 5SL-W0047-00 | 33 - 5 | 90105-12062 | 21 - 2 |
| 14B-27911-00 | 48 - 8 | 14B-2838T-00 | 38 - 20 | 5SL-82113-01 | 47 - 14 | 5PW-8352S-00 | 43 - 4 | 1J3-W0048-00 | 31 - 13 | 90105-126A8 | 40 - 3 |
| 14B-27961-00 | 48 - 6 | 14B-2838U-00 | 38 - 35 | 14B-82116-00 | 48 - 16 | 14B-8353E-00 | 43 - 2 | | 31 - 23 | 90105-14002 | 30 - 10 |
| 14B-28100-00 | 22 - 26 | 14B-2838V-00 | 38 - 24 | 5SL-82119-10 | 48 - 34 | 14B-83572-00 | 43 - 3 | 1UY-W0048-00 | 33 - 16 | 90109-06016 | 41 - 12 |
| 14B-28227-00 | 21 - 43 | 14B-2838W-00 | 38 - 39 | 1KB-82122-00 | 22 - 8 | 14B-83755-00 | 47 - 26 | 4C8-W0057-00 | 31 - 6 | 90109-06031 | 36 - 51 |

NUMERICAL INDEX

| PART NO. | REF. NO. | PART NO. | REF. NO. | PART NO. | REF. NO. | PART NO. | REF. NO. | PART NO. | REF. NO. | PART NO. | REF. NO. |
|-------------|----------|-------------|----------|-------------|----------|-------------|----------|-------------|----------|-------------|----------|
| 90109-06100 | 14 - 17 | 90110-06331 | 15 - 22 | 90149-06082 | 14 - 9 | 90185-24007 | 32 - 23 | 90214-28002 | 18 - 27 | 90387-06217 | 21 - 61 |
| 90109-06248 | 23 - 9 | 90110-06338 | 15 - 7 | | 18 - 15 | 90201-047A2 | 48 - 37 | 90214-29002 | 18 - 26 | 90387-062X0 | 24 - 15 |
| 90109-06264 | 36 - 57 | 90110-06340 | 14 - 24 | 90149-06128 | 40 - 5 | 90201-05021 | 41 - 7 | 90240-08084 | 36 - 16 | 90387-06372 | 7 - 62 |
| 90109-066F0 | 1 - 28 | 90110-06343 | 13 - 20 | 90149-06152 | 15 - 10 | 90201-06071 | 7 - 34 | | 36 - 25 | 90387-064T3 | 38 - 67 |
| | 36 - 30 | 90110-06378 | 28 - 16 | | 15 - 20 | 90201-06074 | 7 - 35 | 90269-04025 | 21 - 23 | 90387-065J6 | 22 - 3 |
| 90109-08174 | 36 - 18 | 90110-06387 | 15 - 4 | 90149-06156 | 1 - 11 | 90201-06589 | 16 - 5 | 90269-06001 | 23 - 8 | | 39 - 54 |
| | 36 - 27 | | 15 - 28 | 90149-06158 | 8 - 14 | 90201-08057 | 24 - 4 | 90269-06008 | 39 - 1 | 90387-06681 | 7 - 59 |
| 90109-08195 | 47 - 16 | 90110-06388 | 15 - 15 | | 15 - 25 | 90201-08080 | 13 - 16 | | 39 - 18 | 90387-06697 | 36 - 39 |
| 90109-085G6 | 36 - 21 | | 15 - 23 | | 16 - 8 | 90201-08082 | 13 - 48 | | 39 - 59 | | 36 - 47 |
| | 36 - 31 | 90110-10023 | 21 - 10 | | 19 - 13 | 90201-08103 | 20 - 26 | 90269-06016 | 21 - 54 | 90387-06M16 | 48 - 65 |
| 90110-05028 | 28 - 29 | 90110-10024 | 21 - 7 | 90149-06302 | 22 - 10 | | 37 - 3 | 90269-06081 | 23 - 7 | 90387-07717 | 24 - 22 |
| 90110-05030 | 28 - 27 | 90110-10025 | 36 - 12 | | 24 - 49 | 90201-081R9 | 36 - 7 | 90269-07012 | 22 - 13 | 90387-08005 | 13 - 11 |
| 90110-05047 | 10 - 12 | 90111-05002 | 24 - 50 | 90149-08009 | 33 - 2 | 90201-08676 | 26 - 26 | 90269-07076 | 22 - 25 | 90387-08021 | 13 - 51 |
| 90110-05067 | 47 - 21 | 90111-05026 | 35 - 29 | 90153-06002 | 6 - 37 | 90201-087G2 | 13 - 43 | 90269-07077 | 22 - 12 | 90387-08039 | 13 - 46 |
| 90110-05112 | 28 - 22 | | 37 - 22 | 90159-06026 | 17 - 12 | 90201-08M09 | 26 - 23 | | 38 - 30 | 90387-087L0 | 13 - 67 |
| 90110-06156 | 21 - 31 | 90111-05034 | 38 - 26 | 90159-06150 | 48 - 66 | 90201-10029 | 17 - 22 | | 38 - 45 | | 13 - 72 |
| 90110-06161 | 47 - 28 | | 38 - 41 | 90160-05006 | 38 - 18 | 90201-10034 | 47 - 6 | | 39 - 46 | 90387-10034 | 24 - 38 |
| 90110-06163 | 21 - 17 | | 38 - 57 | | 43 - 5 | 90201-10035 | 1 - 14 | | 39 - 58 | 90387-1012A | 24 - 31 |
| | 21 - 19 | | 38 - 59 | 90160-05007 | 44 - 7 | | 1 - 16 | 90282-03005 | 47 - 5 | | 24 - 37 |
| | 28 - 20 | | 38 - 68 | 90170-06228 | 20 - 21 | | 36 - 10 | 90338-06018 | 21 - 58 | 90387-1013U | 24 - 32 |
| | 29 - 8 | | 38 - 69 | 90170-28419 | 26 - 8 | 90201-12008 | 40 - 4 | | 21 - 63 | 90387-11006 | 47 - 4 |
| | 39 - 45 | 90111-06003 | 36 - 20 | 90176-06014 | 7 - 7 | 90201-12575 | 20 - 8 | | 23 - 2 | 90387-22016 | 30 - 11 |
| | 39 - 57 | 90111-06019 | 20 - 28 | 90176-06055 | 38 - 66 | 90201-12790 | 47 - 1 | | 28 - 61 | 90387-22023 | 24 - 12 |
| 90110-06167 | 6 - 17 | 90111-06030 | 22 - 5 | 90176-10075 | 1 - 17 | 90201-127E1 | 20 - 3 | | 28 - 69 | 90387-25008 | 18 - 30 |
| 90110-06168 | 47 - 30 | 90111-06041 | 26 - 13 | 90179-05013 | 21 - 65 | 90201-146F9 | 36 - 11 | | 48 - 12 | 90387-25023 | 18 - 7 |
| 90110-06169 | 9 - 5 | 90111-06043 | 22 - 4 | | 21 - 66 | 90201-177G4 | 20 - 13 | 90338-15004 | 21 - 21 | 90387-28003 | 18 - 2 |
| 90110-06173 | 8 - 6 | 90111-06083 | 24 - 21 | 90179-05523 | 28 - 46 | 90201-20026 | 24 - 43 | 90340-12003 | 14 - 5 | 90387-28004 | 18 - 24 |
| 90110-06175 | 1 - 27 | 90111-06095 | 13 - 68 | | 38 - 25 | 90201-22015 | 18 - 35 | 90340-14132 | 9 - 7 | 90387-28016 | 32 - 18 |
| | 26 - 19 | | 13 - 73 | | 38 - 33 | 90201-25020 | 32 - 24 | 90340-18002 | 1 - 4 | 90387-28019 | 32 - 19 |
| | 47 - 33 | 90111-06119 | 7 - 63 | | 38 - 40 | 90201-25291 | 27 - 16 | 90387-05003 | 45 - 11 | 90387-30012 | 18 - 18 |
| 90110-06178 | 15 - 31 | | 48 - 10 | | 38 - 48 | | 27 - 36 | 90387-05028 | 37 - 16 | 90387-31003 | 18 - 19 |
| 90110-06182 | 6 - 24 | 90111-06127 | 13 - 54 | 90179-08410 | 13 - 3 | 90201-257H0 | 18 - 37 | 90387-06055 | 28 - 19 | 90401-10172 | 35 - 24 |
| | 6 - 41 | | 13 - 60 | 90179-10028 | 21 - 8 | 90201-281U8 | 26 - 9 | 90387-06057 | 24 - 48 | | 37 - 26 |
| | 7 - 2 | 90111-06129 | 21 - 29 | | 21 - 11 | 90201-30016 | 24 - 45 | | 26 - 15 | 90401-20008 | 9 - 1 |
| | 8 - 9 | 90111-06145 | 21 - 59 | 90179-10029 | 1 - 15 | 90201-44008 | 17 - 33 | 90387-06066 | 24 - 16 | 90413-07023 | 7 - 45 |
| | 8 - 16 | | 21 - 64 | 90179-22019 | 18 - 36 | 90202-05180 | 38 - 27 | | 24 - 17 | 90430-06014 | 1 - 12 |
| | 9 - 13 | 90111-08066 | 36 - 48 | 90179-30691 | 26 - 5 | | 38 - 42 | | 37 - 31 | | 6 - 36 |
| | 40 - 7 | 90111-08071 | 13 - 44 | 90183-04039 | 48 - 38 | | 38 - 58 | 90387-06112 | 6 - 40 | 90430-10005 | 35 - 25 |
| 90110-06193 | 10 - 1 | 90111-08073 | 36 - 8 | 90183-05074 | 28 - 40 | | 38 - 60 | | 13 - 7 | | 37 - 27 |
| 90110-06200 | 13 - 6 | 90116-10048 | 32 - 16 | 90183-05076 | 24 - 20 | 90202-06005 | 39 - 15 | 90387-06143 | 28 - 10 | 90445-08028 | 47 - 35 |
| 90110-06223 | 16 - 6 | 90116-10051 | 14 - 12 | | 38 - 12 | | 39 - 32 | 90387-0614M | 7 - 23 | 90445-08036 | 7 - 55 |
| 90110-06233 | 28 - 37 | 90119-05015 | 28 - 45 | | 47 - 38 | 90202-30235 | 26 - 7 | | 7 - 32 | 90445-107A5 | 48 - 55 |
| 90110-06245 | 48 - 11 | 90119-06177 | 7 - 60 | 90183-050A0 | 26 - 16 | 90206-14086 | 20 - 27 | 90387-06170 | 13 - 53 | 90445-19002 | 36 - 6 |
| | 48 - 15 | 90119-06262 | 28 - 15 | 90183-06069 | 48 - 14 | 90208-25002 | 17 - 3 | | 13 - 59 | 90446-15386 | 37 - 5 |
| 90110-06256 | 7 - 15 | 90119-09010 | 14 - 13 | 90183-060A2 | 13 - 27 | 90209-25011 | 18 - 4 | 90387-061Y1 | 21 - 30 | 90450-22017 | 7 - 39 |
| 90110-06258 | 29 - 3 | 90149-06022 | 6 - 42 | | 13 - 37 | 90209-28008 | 18 - 21 | 90387-06203 | 28 - 39 | 90450-35001 | 6 - 29 |
| 90110-06315 | 1 - 18 | 90149-06043 | 31 - 3 | 90185-10011 | 32 - 17 | 90214-25003 | 18 - 13 | 90387-06217 | 13 - 15 | | 7 - 9 |
| 90110-06324 | 15 - 16 | 90149-06079 | 9 - 11 | 90185-20008 | 24 - 42 | 90214-25004 | 18 - 12 | | 21 - 56 | | 7 - 17 |

NUMERICAL INDEX

| PART NO. | REF. NO. | PART NO. | REF. NO. | PART NO. | REF. NO. | PART NO. | REF. NO. | PART NO. | REF. NO. | PART NO. | REF. NO. |
|-------------|----------|-------------|----------|-------------|----------|-------------|----------|-------------|----------|-------------|----------|
| 90450-35001 | 7 - 28 | 90467-11090 | 7 - 42 | 90508-32020 | 20 - 10 | 91402-16012 | 37 - 25 | 93210-235A1 | 6 - 38 | 93610-20189 | 15 - 14 |
| 90450-38040 | 6 - 28 | | 7 - 44 | 90520-01001 | 38 - 31 | 91702-06018 | 37 - 23 | | 7 - 3 | 93900-00030 | 30 - 6 |
| | 7 - 11 | | 7 - 47 | | 38 - 46 | 91808-16023 | 1 - 5 | 93210-25711 | 41 - 3 | | 32 - 10 |
| | 7 - 13 | | 7 - 50 | 90520-03005 | 38 - 32 | | 1 - 6 | 93210-27370 | 6 - 23 | 94112-17111 | 30 - 5 |
| | 7 - 30 | 90467-12085 | 37 - 18 | | 38 - 47 | | 1 - 7 | 93210-27778 | 15 - 12 | 94119-17072 | 32 - 9 |
| 90450-45001 | 13 - 22 | 90467-120A3 | 35 - 20 | 90520-03010 | 21 - 46 | | 1 - 8 | 93210-357A2 | 6 - 18 | 94580-31082 | 8 - 1 |
| | 13 - 29 | 90467-160A2 | 10 - 14 | 90520-05011 | 39 - 40 | | 1 - 9 | 93210-41N50 | 27 - 13 | 94582-30120 | 32 - 25 |
| | 13 - 39 | | 10 - 36 | 90520-08002 | 28 - 55 | 91808-30031 | 6 - 16 | | 27 - 33 | 94591-60126 | 5 - 5 |
| 90450-60004 | 10 - 3 | 90467-17003 | 12 - 8 | 90520-10005 | 28 - 63 | 92012-05014 | 10 - 29 | 93210-46044 | 6 - 31 | 94682-30031 | 32 - 26 |
| | 10 - 5 | 90467-180A0 | 12 - 7 | | 28 - 71 | 92012-05016 | 48 - 7 | 93210-49046 | 7 - 6 | 94701-00424 | 1 - 19 |
| 90464-09M31 | 28 - 31 | 90467-18172 | 12 - 4 | 90520-15001 | 21 - 52 | 92012-05025 | 48 - 4 | 93210-68001 | 15 - 19 | 95022-06008 | 48 - 33 |
| 90464-12009 | 48 - 53 | | 12 - 6 | 90520-15004 | 21 - 53 | 92012-06010 | 13 - 31 | 93305-20605 | 18 - 17 | 95022-06016 | 47 - 24 |
| 90464-12089 | 48 - 60 | | 6 - 26 | 90520-15010 | 38 - 14 | | 13 - 41 | 93306-00106 | 6 - 2 | 95022-06020 | 6 - 15 |
| 90464-13073 | 48 - 41 | 90467-200A0 | 7 - 40 | 90520-30004 | 39 - 22 | 92012-06016 | 24 - 14 | 93306-00304 | 17 - 10 | | 20 - 16 |
| | 48 - 42 | 90480-01558 | 13 - 65 | 90560-05N33 | 28 - 62 | | 24 - 18 | 93306-07208 | 30 - 3 | 95022-06025 | 6 - 8 |
| | 48 - 47 | | 13 - 70 | | 28 - 70 | 92014-06014 | 47 - 41 | 93306-20531 | 32 - 2 | 95024-06025 | 6 - 32 |
| | 48 - 48 | 90480-08005 | 38 - 22 | 90560-06244 | 26 - 30 | 92014-08035 | 13 - 12 | | 32 - 13 | 95027-06020 | 46 - 5 |
| | 48 - 50 | | 38 - 37 | 90560-08213 | 29 - 11 | 92902-04100 | 35 - 13 | 93306-205A2 | 18 - 38 | 95302-06700 | 41 - 6 |
| 90464-13077 | 48 - 46 | | 47 - 8 | 90560-08251 | 21 - 57 | 92902-04600 | 35 - 14 | 93306-20652 | 18 - 11 | | 41 - 11 |
| | 48 - 51 | 90480-08006 | 39 - 42 | | 21 - 62 | 92902-06200 | 37 - 24 | 93306-27209 | 18 - 14 | 95302-08600 | 24 - 3 |
| | 48 - 52 | | 39 - 52 | | 39 - 41 | 92907-05200 | 45 - 10 | 93306-80502 | 19 - 4 | 95304-06700 | 20 - 22 |
| 90464-14003 | 48 - 61 | 90480-10542 | 28 - 8 | | 39 - 51 | 92907-08600 | 17 - 31 | 93306-97202 | 24 - 9 | 95307-08700 | 37 - 20 |
| 90464-14228 | 21 - 28 | | 28 - 13 | 91312-04025 | 48 - 36 | 93101-18061 | 25 - 5 | 93310-23168 | 17 - 18 | 95602-05100 | 45 - 9 |
| 90464-15195 | 44 - 9 | 90480-11009 | 45 - 12 | 91312-05010 | 28 - 23 | 93102-12106 | 20 - 6 | 93310-24160 | 16 - 2 | 95602-05200 | 45 - 14 |
| 90464-16005 | 11 - 29 | 90480-12005 | 24 - 47 | 91312-05020 | 47 - 37 | 93102-15212 | 17 - 27 | 93315-21570 | 17 - 28 | | 48 - 5 |
| 90464-16006 | 13 - 74 | 90480-12010 | 6 - 39 | 91312-06012 | 48 - 17 | 93102-40330 | 18 - 32 | 93315-31758 | 24 - 24 | 95602-06200 | 36 - 38 |
| 90464-16020 | 38 - 13 | 90480-12023 | 28 - 38 | 91312-06016 | 28 - 3 | 93106-28004 | 24 - 11 | | 24 - 27 | | 36 - 46 |
| 90464-16061 | 10 - 28 | 90480-12072 | 22 - 2 | 91312-06025 | 5 - 8 | 93106-28043 | 30 - 4 | | 25 - 2 | 95602-08200 | 26 - 22 |
| | 48 - 44 | 90480-12579 | 13 - 13 | | 34 - 19 | 93106-40013 | 32 - 3 | 93317-11096 | 17 - 30 | 95602-10200 | 24 - 30 |
| | 48 - 45 | 90480-12581 | 13 - 66 | 91312-06035 | 36 - 37 | | 32 - 14 | 93317-11295 | 20 - 5 | | 24 - 34 |
| 90464-20022 | 26 - 21 | | 13 - 71 | | 36 - 45 | 93109-17071 | 24 - 25 | 93317-428U8 | 24 - 8 | | 24 - 36 |
| 90464-21256 | 48 - 56 | 90480-12596 | 39 - 43 | 91312-06045 | 6 - 11 | | 24 - 28 | 93317-43580 | 32 - 4 | | 24 - 40 |
| 90464-28003 | 12 - 9 | | 39 - 53 | 91314-06012 | 6 - 34 | | 25 - 3 | 93317-52897 | 24 - 7 | | 25 - 9 |
| 90464-36004 | 48 - 54 | 90480-12607 | 48 - 64 | 91314-06016 | 37 - 30 | 93210-04092 | 14 - 3 | 93399-99932 | 26 - 3 | | 36 - 9 |
| 90464-47002 | 44 - 5 | 90480-13010 | 8 - 4 | 91314-08025 | 34 - 2 | 93210-06001 | 41 - 9 | 93399-99957 | 26 - 1 | 95602-16200 | 25 - 11 |
| 90464-59001 | 48 - 59 | 90480-13567 | 38 - 73 | | 34 - 9 | 93210-06667 | 6 - 20 | 93399-999T4 | 25 - 4 | 95607-06200 | 7 - 37 |
| 90465-08053 | 47 - 25 | 90480-15363 | 7 - 22 | 91314-08030 | 26 - 11 | | 8 - 13 | 93420-61M07 | 32 - 5 | | 46 - 4 |
| 90465-10098 | 48 - 57 | 90501-06022 | 19 - 3 | | 27 - 42 | 93210-07540 | 14 - 15 | 93440-28184 | 18 - 5 | 95612-08625 | 1 - 13 |
| | 48 - 58 | 90501-080A2 | 19 - 10 | 91314-08035 | 27 - 20 | 93210-09525 | 8 - 12 | 93440-30113 | 25 - 7 | 95617-06100 | 35 - 9 |
| 90465-13M11 | 48 - 43 | 90501-12743 | 36 - 34 | | 27 - 40 | 93210-12010 | 8 - 11 | 93440-31187 | 18 - 22 | 95702-06500 | 22 - 6 |
| | 48 - 49 | | 36 - 42 | 91317-05020 | 34 - 15 | 93210-14003 | 8 - 8 | 93440-52009 | 18 - 39 | 95802-06012 | 39 - 48 |
| 90467-08003 | 7 - 56 | 90501-240A2 | 17 - 11 | 91317-05025 | 34 - 16 | 93210-15566 | 9 - 4 | 93440-62032 | 18 - 33 | | 48 - 2 |
| 90467-08021 | 47 - 36 | 90506-18008 | 36 - 5 | 91317-06020 | 35 - 27 | 93210-15620 | 37 - 10 | 93450-18157 | 3 - 10 | 95802-06016 | 39 - 34 |
| 90467-08075 | 7 - 64 | 90506-18021 | 20 - 1 | 91317-06025 | 34 - 4 | 93210-16325 | 14 - 26 | 93501-04011 | 36 - 35 | 95812-06040 | 14 - 21 |
| 90467-09006 | 28 - 34 | 90506-18022 | 37 - 4 | | 34 - 11 | 93210-207A0 | 14 - 28 | | 36 - 43 | 95812-06050 | 14 - 20 |
| 90467-10M04 | 7 - 57 | 90508-16041 | 17 - 21 | 91317-06030 | 7 - 33 | 93210-21001 | 47 - 20 | 93603-12007 | 6 - 10 | 95812-06060 | 14 - 19 |
| 90467-11044 | 7 - 48 | 90508-18134 | 36 - 15 | 91401-25015 | 36 - 17 | 93210-22M93 | 8 - 3 | 93603-17070 | 6 - 9 | 95812-08040 | 13 - 42 |
| | 7 - 51 | 90508-18135 | 36 - 24 | | 36 - 26 | 93210-235A1 | 6 - 22 | 93607-44002 | 5 - 11 | 95812-08045 | 13 - 47 |

NUMERICAL INDEX

| PART NO. | REF. NO. | PART NO. | REF. NO. | PART NO. | REF. NO. | PART NO. | REF. NO. | PART NO. | REF. NO. |
|-------------|----------|----------|----------|----------|----------|----------|----------|----------|----------|
| 95812-08060 | 14 - 16 | | | | | | | | |
| 95812-12080 | 21 - 3 | | | | | | | | |
| 95814-08035 | 13 - 25 | | | | | | | | |
| | 13 - 35 | | | | | | | | |
| 95827-06030 | 7 - 36 | | | | | | | | |
| 97702-50012 | 38 - 21 | | | | | | | | |
| | 38 - 36 | | | | | | | | |
| 97702-50014 | 45 - 2 | | | | | | | | |
| 97702-50016 | 21 - 27 | | | | | | | | |
| | 44 - 6 | | | | | | | | |
| | 47 - 10 | | | | | | | | |
| 97706-04012 | 45 - 7 | | | | | | | | |
| 98502-04012 | 35 - 12 | | | | | | | | |
| 98507-04010 | 46 - 10 | | | | | | | | |
| 98507-05025 | 46 - 13 | | | | | | | | |
| 98507-05045 | 46 - 15 | | | | | | | | |
| 98707-03016 | 46 - 9 | | | | | | | | |
| 98902-05008 | 28 - 64 | | | | | | | | |
| | 28 - 72 | | | | | | | | |
| 98902-05014 | 10 - 32 | | | | | | | | |
| | 28 - 47 | | | | | | | | |
| 98902-05020 | 10 - 35 | | | | | | | | |
| | 45 - 8 | | | | | | | | |
| 99001-07600 | 17 - 32 | | | | | | | | |
| 99002-10600 | 20 - 7 | | | | | | | | |
| 99009-10400 | 17 - 23 | | | | | | | | |
| 99009-12400 | 6 - 14 | | | | | | | | |
| 99009-17400 | 20 - 14 | | | | | | | | |
| 99009-42500 | 24 - 10 | | | | | | | | |
| 99241-00200 | 39 - 20 | | | | | | | | |
| | 39 - 26 | | | | | | | | |
| 99244-00200 | 39 - 20 | | | | | | | | |
| | 39 - 26 | | | | | | | | |
| 99246-00200 | 39 - 20 | | | | | | | | |
| | 39 - 26 | | | | | | | | |
| 99530-08012 | 9 - 9 | | | | | | | | |
| | 15 - 3 | | | | | | | | |
| 99530-10014 | 14 - 4 | | | | | | | | |
| 99530-10114 | 1 - 30 | | | | | | | | |
| | 2 - 3 | | | | | | | | |